

2008 Mazda MX-5 Miata Touring Convertible

SPECIAL CAUTIONS

AIR BAG

Refer to Procedure Explanation 29 for Supplemental Restraint/Air Bag Special Cautions.

SUSPENSION

Manufacturer advises that some new fasteners must be used whenever old fasteners are loosened or removed.

2008 Mazda MX-5 Miata Touring Convertible

PAINT CODE LOCATION

Paint code located on left lock pillar.

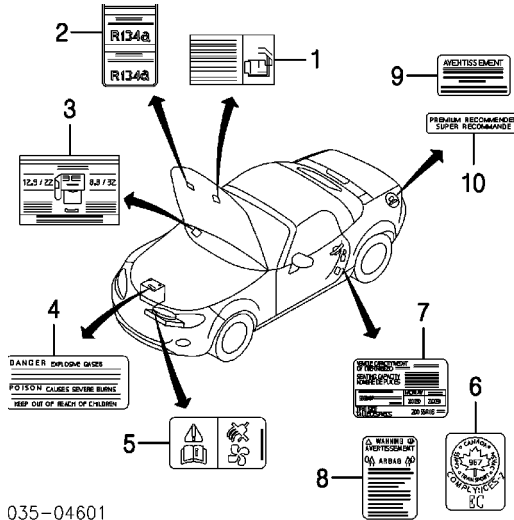
2008 Mazda MX-5 Miata Touring Convertible

CLEAR COAT IDENTIFICATION

All colors are clear coat. Velocity Red (Code 27A) is three stage.

2008 Mazda MX-5 Miata Touring Convertible

INFORMATION LABELS



035-04601			
1 Label, Emission¶			
	2006		
w/Calif Emission		NE55-69-036	\$6.53
w/o Calif Emission		NF47-69-036	\$6.53
2007-08			
w/Calif Emission		NG20-69-036	\$6.53
w/o Calif Emission		NG25-69-036	\$6.53
	2009		
w/Calif Emission			
Man Trans		LF5D-69-036	
Auto Trans		LFAA-69-036	\$5.82
w/o Calif Emission		LF9V-69-036	\$5.00
	2010		
w/Calif Emission			
Man Trans		LF5D-69-036	
Auto Trans		LFAA-69-036A	
w/o Calif Emission		LF9V-69-036A	
¶Order by Application			
2 Label, A/C Caution		NE51-61-439	\$3.35
3 Label, Fuel Economy¶			
	2006		
Man Trans			
5 Speed		NF47-69-042	\$3.84
6 Speed		NE55-69-042	\$3.84
Auto Trans		NE61-69-042	\$3.84
2007-08			
Man Trans			
5 Speed Trans		NG20-69-042	
6 Speed Trans		LF4X-69-042	\$3.57

2008 Mazda MX-5 Miata Touring Convertible

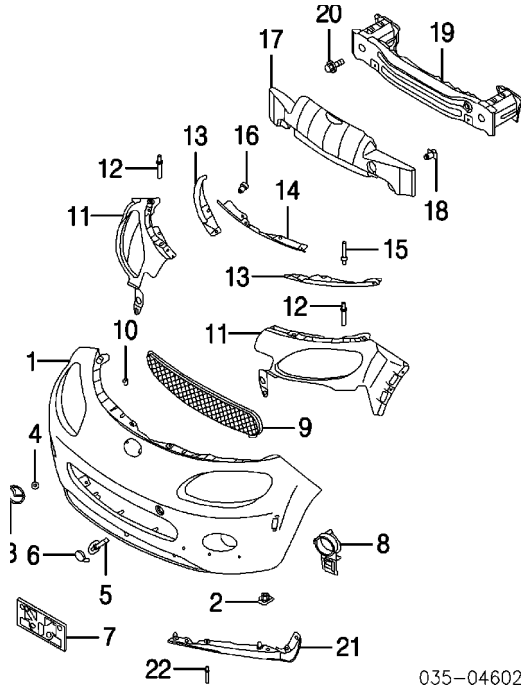
Auto Trans		LF4W-69-042	\$1.83
2009-10			
Man Trans			
5 Speed Trans		LF9W-69-042	
6 Speed Trans		LF9V-69-042	
Auto Trans		LF9X-69-042	
¶Order by Application			
4 Label, Battery Caution		FA01-69-064C	\$0.61
5 Label, Fan Caution		YF47-15-031	\$1.60
6 Label, Safety			
Canada	L	N.A.	
7 Label, Tire			
16" Wheels			
English	L	NE61-69-014B	\$7.65
English/French	L	NF47-69-014B	
17" Wheels			
English	L	NE51-69-014B	\$6.94
English/French	L	NE55-69-014B	
8 Label, Side Air Bag Caution	R	FE01-57-K92A	\$2.33
	L	FE01-57-K92A	\$2.33
9 Label, Fuel Warning			
Canada	L	N.A.	
10 Label, Fuel Recommendation	L	TA16-69-065	\$4.93

2008 Mazda MX-5 Miata Touring Convertible

FRONT BUMPER

Procedures 1 and 28

2006-08



Refinish Bumper Cover	2.5
Refinish Tow Hook Cover	.3
R&I Bumper Cover	1.5
O/H Bumper Cover (Includes R&I)	#2.9

#Includes R&I/R&R Signal Lamp Assemblies

Add to R&R or O/H Bumper Cover	
w/Fog Lamps	#.4

#Includes R&I/R&R Fog Lamp Assemblies

NOTE: All Parts in this section are included in overhaul unless noted otherwise.

1 Cover, Bumper (P)	#2.9	NEY1-50-03XA-BB	\$767.26
(P) Paint to Match			
#Includes R&I/R&R Signal Lamp Assemblies			
2 Clip, Cover¶		B455-56-135	\$1.44
¶As Required			

2008 Mazda MX-5 Miata Touring Convertible

3	Emblem		.1	F151-51-731A	\$14.17
4	Nut, Emblem (2)			9957-83-000	\$0.65
5	Hook, Tow-See Wheel Section				
6	Cover, Tow Hook				
	Blue, (Code 33Y)		.1	NE55-50-A11-19	\$14.89
	Brilliant Black, (Code A3F)		.1	NE55-50-A11-PZ	\$16.13
	Copper Red, (Code 32V)		.1	NE55-50-A11-74	\$16.13
	Galaxy Gray, (Code 32S)		.1	NE55-50-A11-BB	\$14.82
	Highland Green, (Code 35K)		.1	NE55-50-A11-77	\$16.13
	Marble White, (Code A5M)		.1	NE55-50-A11-71	\$16.13
	Nordic Green, (Code 27C)		.1	NE55-50-A11-97	\$16.13
	Stormy Blue, (Code 35J)		.1	NE55-50-A11-12	\$16.13
	Sunlight Silver, (Code 22V)		.1	NE55-50-A11-67	\$16.13
	True Red, (Code A4A)		.1	NE55-50-A11-BB	\$14.82
	Velocity Red, (Code 27A)		.1	NE55-50-A11-87	\$15.64
	Winning Blue, (Code 27B)		.1	NE55-50-A11-BB	\$14.82
7	Brkt, License Plate				
	w/Limited Model	06	.1	NE53-50-170E	\$48.74
	w/o Limited Model		.1	NE51-50-170C	\$45.03
8	Insert, Cover				
	w/Fog Lamps				
	w/Limited Model	06 R	.1	N156-50-C11B	\$253.31
		L	.1	N156-50-C21B	\$253.31
	w/o Limited Model	R	.1	NE55-50-C11A	\$46.32
		L	.1	NE55-50-C21A	\$46.32
	w/o Fog Lamps	R	.1	NE51-50-C11B	\$14.63
		L	.1	NE51-50-C21B	\$14.63
9	Grille, Bumper				
	w/Limited Model	06	.3	N156-50-1T0C	\$396.12
	w/o Limited Model		.3	NE51-50-1T1B	\$74.70
10	Insert, Grille				
	w/Limited Model	06 R		N156-50-A11B	\$16.13
		L		N156-50-A12B	\$40.84
	w/o Limited Model	R		NE51-50-A11A	\$13.57
		L		NE51-50-A12A	\$13.57
11	Guard, Bumper	R		NE51-50-121E	\$69.71
		L		NE51-50-131E	\$69.71
12	Rivet, Mounting (14/Side)	R		9025-73-205	\$0.62
		L		9025-73-205	\$0.62
	Plate, Cover Mounting				
13	Side	R		NE51-50-1A1B	\$46.56
		L		NE51-50-1B1B	\$46.56
14	Center			NE51-50-1C0B	\$46.56

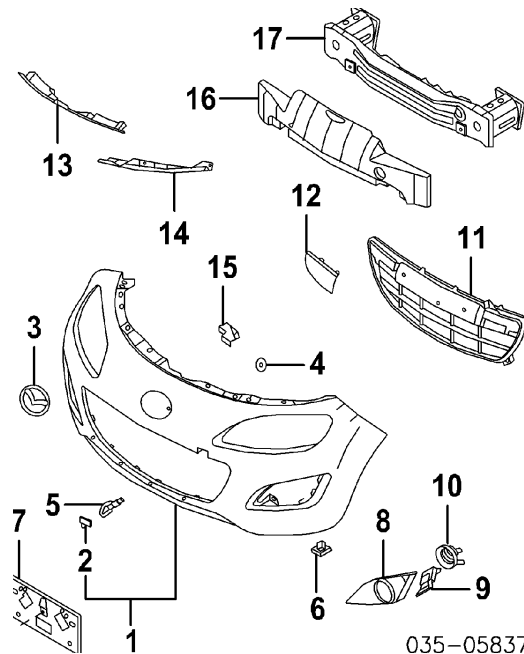
2008 Mazda MX-5 Miata Touring Convertible

Rivet, Plate			
15	Type 1¶		BN8F-50-355 \$2.92
16	Type 2, (3)		EA01-50-037 \$3.94
¶As Required			
17	Absorber, Energy		
	w/Fog Lamps	#.2	NE55-50-111B \$46.51
	w/o Fog Lamps	#.2	NE51-50-111B \$65.52
#w/Bumper Cover Removed			
18	Clip, Absorber	R	BF82-50-233 \$3.62
		L	BF82-50-233 \$3.62
19	Reinf, Bumper	#.4	NE51-50-070C \$337.20
#w/Bumper Cover Removed, Not Included in O/H			
20	Bolt, Reinf (4/Side)	R	BPYK-50-0Z2A \$4.63
		L	BPYK-50-0Z2A \$4.63
21	Dam, Air	R	.3 NE51-51-9H1E \$25.95
		L	.3 NE51-51-9H2E \$25.95
22	Rivet, Air Dam¶	R	9025-73-205 \$0.62
		L	9025-73-205 \$0.62

¶As Required

2009-10

BAR TYPE



Refinish Bumper Cover

2.5

Refinish Tow Hook Cover

.3

2008 Mazda MX-5 Miata Touring Convertible

R&I Bumper Cover 1.5

O/H Bumper Cover (Includes R&I) #2.9

#Includes R&I/R&R Signal Lamp Assemblies

Add to R&R or O/H Bumper Cover

w/Fog Lamps #.4

#Includes R&I/R&R Fog Lamp Assemblies

NOTE: All Parts in this section are included in overhaul unless noted otherwise.

1	Cover Assy, Bumper (P)		#2.9	NHY2-50-03XH-BB	\$777.40
	#Includes R&I/R&R Signal Lamp Assemblies				
2	Cover, Tow Hook (P)¶		.1	NH54-50-A11-AA	\$15.99
	¶Included w/Bumper Cover Assy				
	(P) Paint to Match				
3	Emblem		.2	F189-51-731	\$37.60
4	Nut, Emblem (2)			9957-83-000	\$0.65
5	Hook, Tow-See Wheel Section				
6	Clip, Cover (8)			B455-56-135	\$1.44
7	Bracket, License Cover, Fog Light		.1	NH18-50-170C	\$114.12
8	Type 1	R	.1	NH18-50-C11	\$9.91
		L	.1	NH18-50-C21	\$18.05
9	Type 2	R	.1	NH18-50-C13C	\$15.14
		L	.1	NH18-50-C23C	\$15.14
10	Type 3	R	.1	NH53-50-C12B	\$43.06
		L	.1	NH53-50-C22B	\$43.06
11	Grille, Bumper		.3	NH18-50-1T1B	\$109.11
12	Moulding, Grille	R	.2	NH52-50-A11	\$15.76
		L	.2	NH52-50-A12	\$15.76
	Plate, Cover Mounting				
13	No. 1			NE51-50-1C0B	\$46.56
14	No. 2	R		NE51-50-1A1B	\$46.56
		L		NE51-50-1B1B	\$46.56
15	Bracket, Bumper	R		NH52-50-153	\$15.40
		L		NH52-50-163	\$2.76
16	Absorber, Energy				
	Type 1	IOH		N173-50-111A	\$81.02
	Type 2	IOH		NH18-50-111A	\$107.54

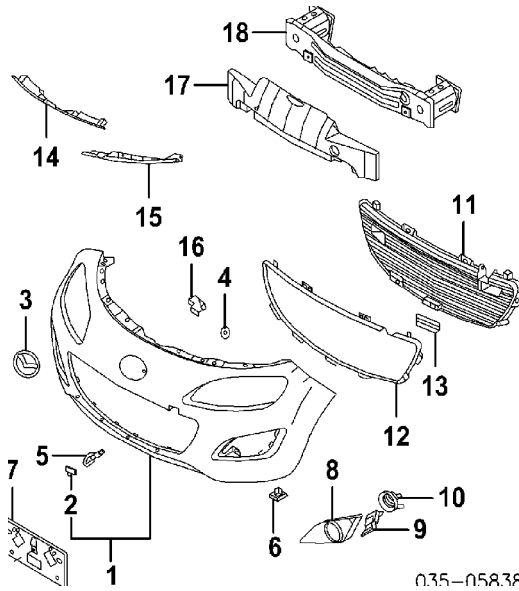
2008 Mazda MX-5 Miata Touring Convertible

17 Reinf, Bumper #.4 NE51-50-070C \$337.20

#w/Bumper Cover Removed, Not Included in O/H

2009-10

MESH TYPE



Refinish Bumper Cover 2.5

Refinish Tow Hook Cover .3

R&I Bumper Cover 1.5

O/H Bumper Cover (Includes R&I) #2.9

#Includes R&I/R&R Signal Lamp Assemblies

Add to R&R or O/H Bumper Cover

w/Fog Lamps #.4

#Includes R&I/R&R Fog Lamp Assemblies

NOTE: All Parts in this section are included in overhaul unless noted otherwise.

1 Cover Assy, Bumper (P) #2.9 NHY2-50-03XH-BB \$777.40

#Includes R&I/R&R Signal Lamp Assemblies

2 Cover, Tow Hook (P)¶ .1 NH54-50-A11-AA \$15.99

¶Included w/Bumper Cover Assy

2008 Mazda MX-5 Miata Touring Convertible

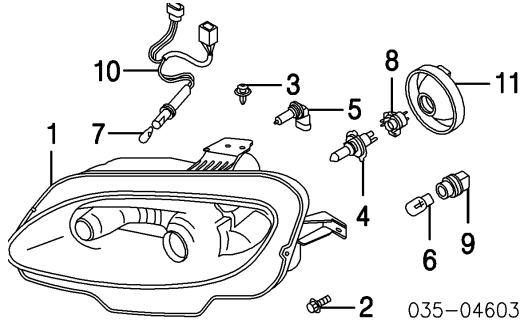
(P) Paint to Match			
3	Emblem	.2	F189-51-731 \$37.60
4	Nut, Emblem (2)		9957-83-000 \$0.65
5 Hook, Tow-See Wheel Section			
6	Clip, Cover (8)		B455-56-135 \$1.44
7	Bracket, License Cover, Fog Light	.1	NH18-50-170C \$114.12
8	Type 1	R	.1 NH18-50-C11 \$9.91
		L	.1 NH18-50-C21 \$18.05
9	Type 2	R	.1 NH18-50-C13C \$15.14
		L	.1 NH18-50-C23C \$15.14
10	Type 3	R	.1 NH53-50-C12B \$43.06
		L	.1 NH53-50-C22B \$43.06
11	Grille, Bumper		.3 NH19-50-1T1C \$108.56
12	Moulding, Grille		.2 NH53-50-1T2A \$145.36
13	Cap, Bumper Plate, Cover Mounting		NH53-50-M42 \$7.29
14	No. 1		NE51-50-1C0B \$46.56
15	No. 2	R	NE51-50-1A1B \$46.56
		L	NE51-50-1B1B \$46.56
16	Bracket, Bumper	R	NH52-50-153 \$15.40
		L	NH52-50-163 \$2.76
17	Absorber, Energy Type 1	IOH	N173-50-111A \$81.02
	Type 2	IOH	NH18-50-111A \$107.54
18	Reinf, Bumper	#.4	NE51-50-070C \$337.20

#w/Bumper Cover Removed, Not Included in O/H

2008 Mazda MX-5 Miata Touring Convertible

FRONT LAMPS

COMBINATION LAMP HALOGEN



Aim Lamps

.4

R&I Combination Lamp Assy

R #1.8

L #1.8

#Includes R&I Bumper Cover

NOTE: R&R Does Not include aim lamps.

1 Lamp, Combination

2006

To 4-12-06	R	#1.8	NE55-51-0K0B	\$498.87
	L	#1.8	NE55-51-0L0B	\$509.36
From 4-12-06	R	#1.8	NF47-51-0K0	\$526.20
	L	#1.8	NF47-51-0L0	\$526.20
2007-08	R	#1.8	NF47-51-0K0	\$526.20
	L	#1.8	NF47-51-0L0	\$526.20
2009-10				
w/Retractable Hardtop	R	#1.8	NH19-51-0K0E	\$514.95
	L	#1.8	NH19-51-0L0E	\$514.95
w/o Retractable Hardtop	R	#1.8	NH18-51-0K0E	\$514.65
	L	#1.8	NH18-51-0L0E	\$514.65

#Includes R&I Bumper Cover

2 Screw, Mounting (4/Side)

06-0	R		9KK6-00-620B	\$1.17
	L		9KK6-00-620B	\$1.17

09-1	R		9YA4-10-0616	
	L		9YA4-10-0616	

3 Clip, Mounting

R			B27K-51-PS7	\$1.82
L			B27K-51-PS7	\$1.82

4 Bulb, Low Beam

R	#.2		0000-11-0H7	\$23.34
---	-----	--	-------------	---------

L	#.2		0000-11-0H7	\$23.34
---	-----	--	-------------	---------

5 Bulb, High Beam

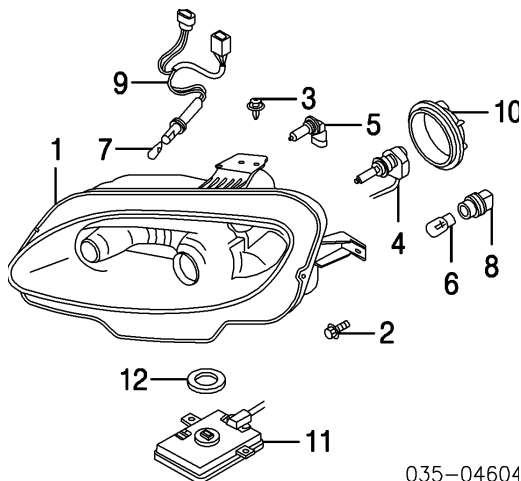
R	#.2		0000-11-0H9	\$51.70
---	-----	--	-------------	---------

2008 Mazda MX-5 Miata Touring Convertible

		L	#.2	0000-11-0H9	\$51.70
	Bulb, Lamp				
6	Outer	06-0 R	#.2	9970-06-210Y	\$4.88
		L	#.2	9970-06-210Y	\$4.88
		09-1 R	#.2	GS3L-51-06Y	\$13.46
		L	#.2	GS3L-51-06Y	\$13.46
7	Inner	R	#.2	0000-11-0194	\$0.84
		L	#.2	0000-11-0194	\$0.84
	#R&R One Side Complete, Included in R&I/R&R Combination Lamp				
8	Socket, Low Beam	R		G14H-51-0X7	\$8.34
		L		G14H-51-0X7	\$8.34
	Socket, Bulb				
9	Outer	R		E115-51-064	\$10.37
		L		E115-51-064	\$10.37
10	Inner	R		NE55-51-155A	\$62.52
		L		NE55-51-155A	\$62.52
11	Cover, Socket	R		H432-51-0A1	\$25.32
		L		H432-51-0A1	\$25.32

Harness, Lamp-See Front Inner Structure Section

COMBINATION LAMP
HID



035-04604

Aim Lamps

.4

R&I Combination Lamp Assy

R #1.8

L #1.8

#Includes R&I Bumper Cover

2008 Mazda MX-5 Miata Touring Convertible

NOTE: R&R Does Not include aim lamps.

1 Lamp, Combination

2006

To 4-12-06	R	#1.8	NE59-51-031B	\$750.13
	L	#1.8	NE59-51-041B	\$735.56
From 4-12-06	R	#1.8	NF49-51-031	\$750.13
	L	#1.8	NF49-51-041	\$750.13
2007-08	R	#1.8	NF49-51-031	\$750.13
	L	#1.8	NF49-51-041	\$750.13
2009-10				
w/Retractable Hardtop	R	#1.8	NH21-51-031E	\$676.02
	L	#1.8	NH21-51-041E	\$743.62
w/o Retractable Hardtop	R	#1.8	NH20-51-031E	\$675.72
	L	#1.8	NH20-51-041E	\$675.72

#Includes R&I Bumper Cover

2 Screw, Mounting (4/Side)	R		9KK6-00-620B	\$1.17
	L		9KK6-00-620B	\$1.17
3 Clip, Mounting	R		B27K-51-PS7	\$1.82
	L		B27K-51-PS7	\$1.82
4 Bulb, Low Beam	R	#.2	0000-11-D2S	\$256.25
	L	#.2	0000-11-D2S	\$256.25
5 Bulb, High Beam	R	#.2	0000-11-0H9	\$51.70
	L	#.2	0000-11-0H9	\$51.70
Bulb, Lamp				
6 Outer	R	#.2	9970-06-210Y	\$4.88
	L	#.2	9970-06-210Y	\$4.88
7 Inner	R	#.2	0000-11-0194	\$0.84
	L	#.2	0000-11-0194	\$0.84

#R&R One Side Complete, Included in R&I/R&R Combination Lamp

Socket, Bulb					
8 Outer	R		E115-51-064	\$10.37	
	L		E115-51-064	\$10.37	
9 Inner	R		NE59-51-155B	\$74.81	
	L		NE59-51-155B	\$74.81	
10 Cover, Bulb	R		F152-51-0A1	\$38.80	
	L		F152-51-0B1	\$38.80	
11 Control Unit	06-0	R	#.2	NE59-51-0H3	\$459.86
		L	#.2	NE59-51-0H3	\$459.86
	09-1	R	#.2	F189-51-0H3	\$490.86
		L	#.2	F189-51-0H3	\$490.86

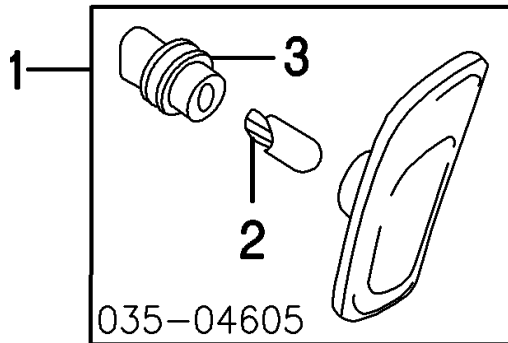
2008 Mazda MX-5 Miata Touring Convertible

#w/Combination Lamp Assy Removed

12 Gasket, Body	R	NE59-51-0B2	\$4.39
	L	NE59-51-0B2	\$4.39

Harness, Lamp-See Front Inner Structure Section

SIGNAL LAMP



	R	.2		
	L	.2		
1 Lamp Assy, Signal	06-0 R	.2	NE55-51-5E0A	\$42.83
	L	.2	NE55-51-5F0A	\$67.24
	09-1 R	.2	NH18-51-5E0C	\$102.45
	L	.2	NH18-51-5F0C	\$102.45
2 Bulb, Signal¶	R	#.2	0000-11-0168	\$1.04
	L	#.2	0000-11-0168	\$1.04

#Included in R&I/R&R Signal Lamp Assy

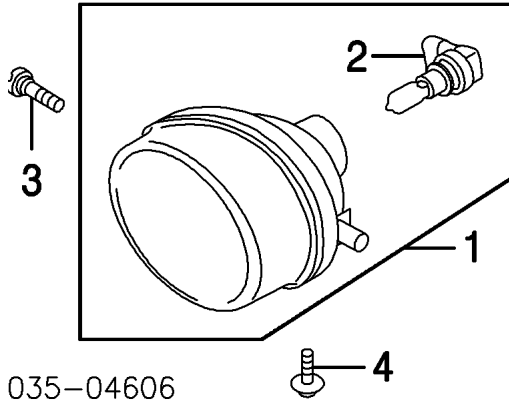
3 Socket, Bulb¶	06-0 R		GP9A-51-5E2	\$30.68
	L		GP9A-51-5E2	\$30.68
	09-1 R		NH18-51-5E2	\$8.99
	L		NH18-51-5E2	\$8.99

¶Included w/Signal Lamp Assy

Harness, Marker/Signal Lamp-See Front Inner Structure Section

FOG LAMP

2008 Mazda MX-5 Miata Touring Convertible



035-04606

Aim Fog Lamps
R&I Fog Lamp Assy

.4
R #.3
L #.3

#Included in R&R or O/H Bumper Cover

NOTE: R&R Does Not include aim lamps.

1 Lamp Assy, Fog	R	#.3	LE46-51-680C	\$148.65
	L	#.3	LE46-51-690C	\$145.77

#Included in R&R or O/H Bumper Cover

2 Bulb, Fog Lamp¶	R	#.2	0000-11-H11	\$28.27
	L	#.2	0000-11-H11	\$28.27

¶Included w/Fog Lamp Assy

#Included in R&I/R&R Fog Lamp Assy

3 Screw, Mounting				
		2006		
To 8-1-05	R		F151-51-695A	\$12.14
	L		F151-51-695A	\$12.14
From 8-1-05	R		G22E-51-695	\$5.35
	L		G22E-51-695	\$5.35
2007-10	R		G22E-51-695	\$5.35
	L		G22E-51-695	\$5.35

4 Screw, Set				
		2006		
To 8-1-05	R		GG2M-51-6H9A	\$8.34
	L		GG2M-51-6H9A	\$8.34
From 8-1-05	R		G22E-51-6H9	\$1.55
	L		G22E-51-6H9	\$1.55
2007-10	R		G22E-51-6H9	\$1.55

2008 Mazda MX-5 Miata Touring Convertible

L

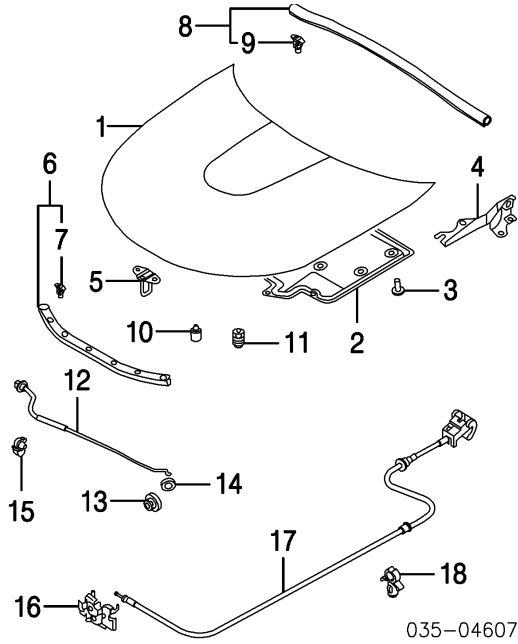
G22E-51-6H9

\$1.55

2008 Mazda MX-5 Miata Touring Convertible

HOOD

Procedures 4 and 28



Refinish Hood Outside

Add for Underside

Refinish Hinge

R&I Hood Assy

			2.8	
			1.4	
	R		.5	
	L		.5	
			.5	
1 Hood (Alum)		1.1	NEY1-52-31XA	\$876.71
2 Insulator, Hood	06-0	.3	NE51-56-681A	\$87.88
	09-1	.3	NH56-56-681	\$67.66
			TD11-56-694	\$1.19
3 Clip, Insulator (14)			NE51-52-410A	\$22.11
4 Hinge, Hood	R	#.3	NE51-52-420A	\$29.83
	L	#.3		
#w/Hood Removed				
5 Striker, Hood		.2	F151-52-372B	\$25.15
6 Seal Assy, Front		.2	NE51-56-750	\$11.25
7 Clip, Seal (7)¶			BC1D-58-762	\$0.44
¶Included w/Front Seal Assy				
8 Seal Assy, Rear		.2	NE51-56-760	\$24.64
9 Clip, Seal (9) (a)			BC1D-58-762	\$0.44
(a) Included w/Rear Seal Assy				
10 Bumper, Inner Hood	R	.1	G067-58-873A	\$2.51
	L	.1	G067-58-873A	\$2.51
11 Bumper, Outer Hood	R	.1	NE51-56-786	\$9.79

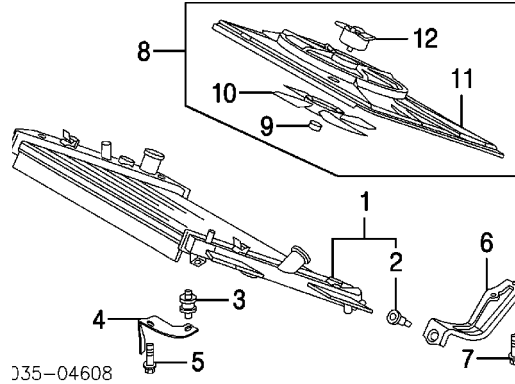
2008 Mazda MX-5 Miata Touring Convertible

	L	.1 NE51-56-786	\$9.79
12 Rod, Hood Support		.2 NE51-56-650	\$26.21
13 Holder, Rod		UH71-56-644	\$1.71
14 Spacer, Rod		G030-52-512	\$2.30
15 Clip, Rod		9971-50-702	\$3.71
16 Latch, Hood			
w/Theft Deterrent		.3 NE55-56-620B	\$91.69
w/o Theft Deterrent (b)		.3 NE51-56-620B	\$46.21
(b) Order by Application			
17 Cable, Latch Release			
Man Trans		.7 NE51-56-720	\$32.38
Auto Trans		.7 NE61-56-720	\$33.01
18 Clip, Cable (4)		D001-56-731	\$1.55

2008 Mazda MX-5 Miata Touring Convertible

COOLING

Procedures 5 and 28



035-04608

R&I Radiator Assy

Man Trans

#1.8

Auto Trans

#2.0

#Includes R&R Cooling Fan Assy

1 Radiator Assy

Man Trans

#1.8

LFG2-15-200E

\$336.84

Auto Trans

#2.0

LFG1-15-200E

\$291.31

#Includes R&R Cooling Fan Assy

2 Mount, Lwr Rad¶

R

LFG1-15-202

\$9.29

L

LFG1-15-202

\$9.29

¶Included w/Radiator Assy

3 Mount, Upper Rad

R

F285-13-363

\$7.32

L

F285-13-363

\$7.32

4 Brkt, Upper Rad

R

LFG1-15-241A

\$8.32

L

LFG1-15-251A

\$8.32

5 Bolt, Upper Rad Mtg

R

9946-00-616

\$1.55

L

9946-00-616

\$1.55

6 Brkt, Lower Rad

R

LFG1-15-231

\$12.87

L

LFG2-15-231

\$12.87

7 Bolt, Lower Brkt

R

9946-20-816

\$1.55

L

9946-20-816

\$1.55

8 Fan Assy, Cooling

.8

LFG1-15-025F

\$349.56

9 Nut, Fan (a)

B595-15-T59

\$2.74

10 Fan, Cooling (a)

#1.0

LFG1-15-140

\$44.39

11 Shroud, Fan (a)

#1.0

LFG1-15-210E

\$91.55

12 Motor, Fan (a)

#1.0

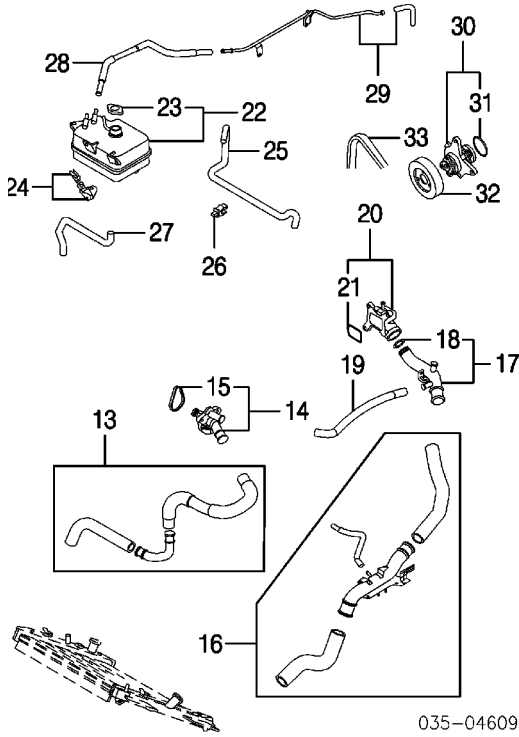
LFG1-15-150A

\$199.41

(a) Included w/Cooling Fan Assy

#R&R Complete

2008 Mazda MX-5 Miata Touring Convertible



13 Hose, Lower Rad			
	2006		
To 3-8-06		1.1 LFG2-15-18Y	\$70.36
From 3-8-06		1.1 LFG7-15-18YA	\$70.61
	2007		
To 9-1-06		1.1 LFG7-15-18YA	\$70.61
From 9-1-06		1.1 LFG8-15-18Y	
2008-10		1.1 LFG8-15-18YD	
14 Thermostat Assy			
	2006		
To 3-8-06		1.4 LF70-15-170	\$57.14
From 3-8-06		1.4 L336-15-170	\$52.52
	2007		
To 9-1-06		1.4 L336-15-170	\$52.52
From 9-1-06		1.4 LF70-15-170	\$57.14
2008-10		1.4 LF70-15-170	\$57.14
15 Gskt, Thermostat (b)		LF03-15-165A	\$10.65
(b) Included w/Thermostat Assy			
16 Hose, Upper Rad		1.1 LFG1-15-18XC	\$83.40
17 Pipe Assy, Water		1.5 LFE2-15-190	\$55.46
18 O-Ring, Pipe (c)		LFE2-15-287	\$2.07

2008 Mazda MX-5 Miata Touring Convertible

(c) Included w/Water Pipe Assy

19	Hose, By-Pass	1.0	LFE2-15-260A	\$19.16
20	Outlet Assy, Water	1.3	LFE2-15-17Z	\$66.47
21	Gskt, Outlet (d)		LFE2-15-169	\$4.16

(d) Included w/Water Outlet Assy

22	Tank Assy, Reservoir	.6	LFG1-15-350C	\$68.54
23	Cap, Rad (e)		AJA4-15-205	\$16.77

(e) Included w/Reservoir Tank Assy

24	Bracket, Tank		LFG1-15-370	\$12.58
25	Hose, Upper Reservoir	.4	LFG1-15-184A	\$23.73
26	Clip, Hose (2)		GY01-15-547	\$1.24
27	Hose, Lower Reservoir	.4	LFG1-15-381B	\$24.22
28	Hose, Outlet		LFY1-15-SD0	\$22.12
29	Tube, Outlet		LFG1-15-380	\$27.09
30	Pump Assy, Water #Includes R&R Pulley	#1.7	LF94-15-100A	\$118.93
31	Gskt, Water Pump (f)		LF01-15-116A	\$7.47

(f) Included w/Water Pump Assy

32	Pulley, Water Pump	.8	L327-15-131	\$10.94
33	Belt, Drive w/ A/C	.6	LFG1-15-909B-9U	\$55.72
	w/o A/C	.6	LFJ5-15-909B-9U	\$55.72

2008 Mazda MX-5 Miata Touring Convertible

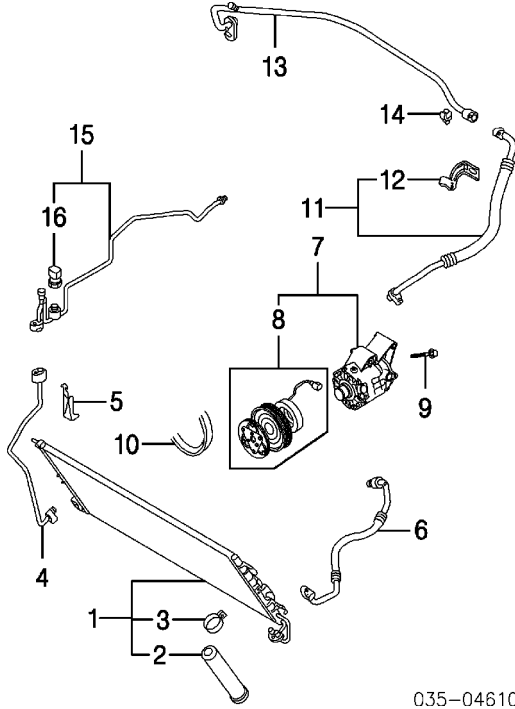
A/C REFRIGERANT CAPACITIES

A/C R-134a Refrigerant Capacity

17.0-19.0 Ozs (1.0-1.2 Lbs), 485-535 g

A/C HEATER/VENTILATION

Procedure 6



035-04610

R&I Condenser	1.2
Evacuate & Recharge System	1.4
Recover Refrigerant	.3

NOTE: R&R Does Not include recover, evacuate and recharge system.

1 Condenser Assy	1.2	NE51-61-480C	\$504.23
2 Receiver/Drier¶	#.3	NE51-61-501	\$63.70
#w/Condenser Assy Removed			
3 Brkt, Receiver/Drier¶		NE51-61-502	\$6.63
¶Included w/Condenser Assy			
4 Tube, Condenser	#1.3	NE51-61-464A	\$63.70
5 Brkt, Tube		NE51-61-47Y	\$16.05
6 Hose, High Pressure	#1.6	NE51-61-461C	\$107.53
#w/Condenser Removed Deduct 1.0			
7 Compressor Assy	#1.4	NE51-61-K00	\$384.71
8 Clutch/Pulley, Compressor (a)	#1.4	NE51-61-L10	\$312.58

2008 Mazda MX-5 Miata Touring Convertible

(a) Included w/Compressor Assy

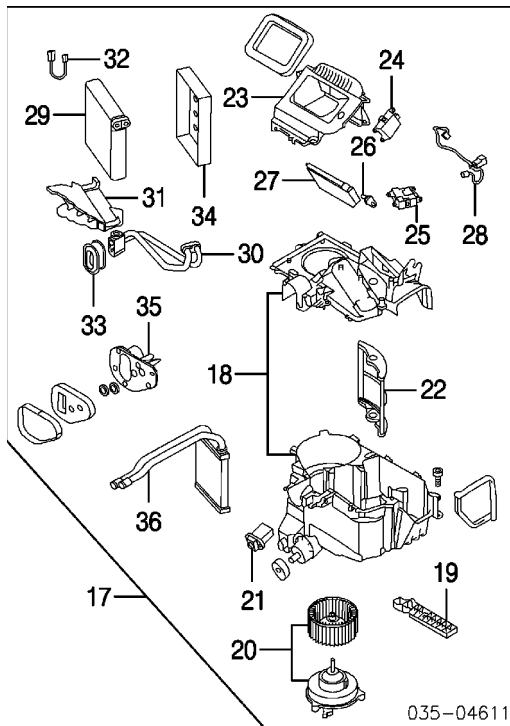
#R&R Complete

9 Bolt, Compressor (2)		9945-40-885B	\$3.71
10 Belt, Drive-See Cooling Section			
11 Hose Assy, Low Pressure	#.9	NE51-61-4T0C	\$177.38
12 Clip, Hose (b)		NE51-61-473B	\$7.88

(b) Included w/Low Pressure Hose Assy

13 Tube, Low Pressure	#1.0	NE51-61-466C	\$119.91
#R&R Both 1.4			
14 Clip, Tube		BJ0M-61-477	\$1.83
15 Tube Assy, Pressure	.7	NE51-61-46XA	\$138.60
16 Switch, Pressure (c)	.5	NE51-61-503A	\$109.42

(c) Included w/Pressure Tube Assy



17 A/C /Heater Assy			
w/ A/C	#.7	NE51-61-130G	\$1,614.21
w/o A/C	#.7	NE55-61-130B	\$1,440.48
18 Case, A/C /Heater (d)	#1.0	NE51-61-A01	\$123.27

#w/Instrument Panel Removed

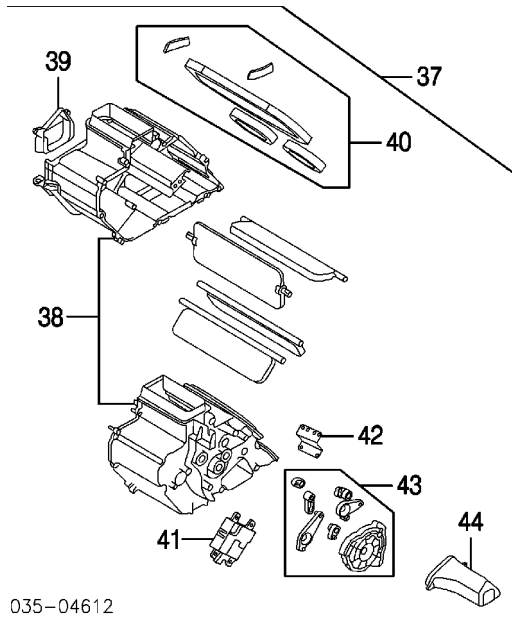
2008 Mazda MX-5 Miata Touring Convertible

19 Cover, Lower Case (d)		NE51-61-A03	\$26.38
20 Fan & Motor, Blower (d)		.8 NE51-61-B10	\$183.77
21 Resistor, Blower (d)		.6 NE51-61-B15	\$95.85
22 Damper, Heater (d)		NE51-61-A1Y	\$73.51
23 Case, Upper Blower (d)		NE51-61-B01	\$78.92
24 Actuator, Recycle/Fresh (d)	#2.0	NE51-61-B60	\$110.91
25 Actuator, Temp (d)	#2.0	NE51-61-A60	\$107.73
#R&R Both 3.0			
26 Link, Recycle/Fresh (d)		NE51-61-B20	\$12.36
27 Door, Blower (d)		NE51-61-B05	\$32.47
28 Harness, Heater Wiring (d)		NE51-61-A65	\$59.30
29 Evaporator (d)	#1.6	NE51-61-J10	\$260.54
#w/Instrument Panel Removed			
30 Valve, Expansion (d)		NE51-61-J14	\$212.88
31 Insulator, Evaporator (d)		NE51-61-J39	\$22.19
32 Sensor, Temp (d)		NE51-61-J22	\$26.57
33 Seal, Valve (d)		NE51-61-J31	\$26.68
34 Cover, Hole (d)			
w/o A/C		NE85-61-J41	\$44.61
35 Cover, Case (d)			
w/ A/C		NE51-61-A02	\$18.63
w/o A/C		NE85-61-A02	\$18.63
36 Core, Heater (d)	#1.2	NE51-61-A10	\$210.99

(d) Included w/ A/C /Heater Assy

#w/Instrument Panel Removed

2008 Mazda MX-5 Miata Touring Convertible



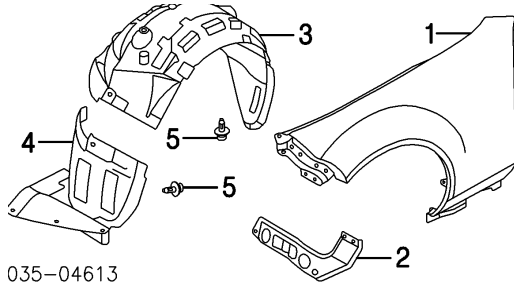
035-04612			
37 Case Assy, Ventilation	06-0 #.5	NE51-61-13ZF	\$513.94
	09-1 #.5	NH52-61-13ZB	\$508.75
#w/Instrument Panel Removed			
38 Case, Ventilation (e)		NE51-61-A04	\$86.41
39 Cover, Side (e)		NE51-61-A80	\$78.92
40 Seal Kit (e)	06-08	NE51-61-A12	\$24.72
	09-10	NH52-61-A12A	\$24.72
41 Actuator, Mode (e)	06-08	NE51-61-A70	\$108.64
	09-10	NE99-61-A70	\$99.21
42 Spacer (e)		NE51-61-A23	\$9.85
43 Link Set, Mode (e)		NE51-61-A30	\$49.58
44 Duct, Air (e)		NE51-61-A07	\$24.72

(e) Included w/Ventilation Case Assy

2008 Mazda MX-5 Miata Touring Convertible

FRONT FENDER

Procedures 7 and 28



035-04613

Refinish Fender Outside

R 2.0

L 2.0

Add to Edge

R .5

L .5

R&I Fender Assy

R #2.7

L #2.7

#Includes R&I/R&R Combination Lamp & Rocker Moulding

1 Fender	R	#2.9	NE51-52-110B	\$260.07
	L	#2.9	NE51-52-210B	\$270.40

#Includes R&I/R&R Combination Lamp & Rocker Moulding

2 Stay, Fender	R		NE51-52-14YA	\$17.86
	L		NE51-52-24YA	\$17.86
3 Liner, Upper Fender	R	#.4	NE51-56-130J	\$56.66
	L	#.4	NE51-56-140J	\$56.58

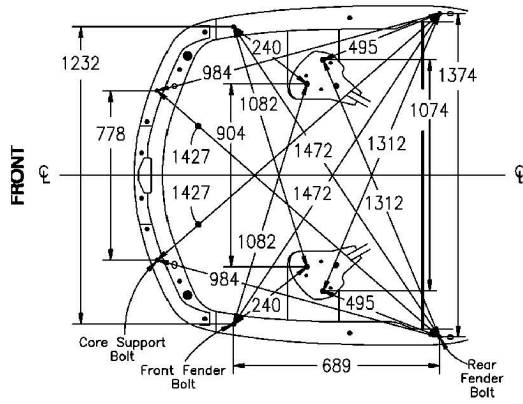
#Includes R&R Lower Fender Liner, w/Strut Removed

4 Liner, Lower Fender	06-0	R	.2	NE51-56-13ZC	\$69.22
		L	.2	NE51-56-14ZC	\$69.22
	09-1	R	.2	NH42-56-13ZA	\$48.97
		L	.2	NH42-56-14ZA	\$48.97
5 Clip, Liner (6/Side)	R		BC1D-56-145	\$1.17	
	L		BC1D-56-145	\$1.17	

2008 Mazda MX-5 Miata Touring Convertible

UNDERHOOD DIMENSIONS

061-40298

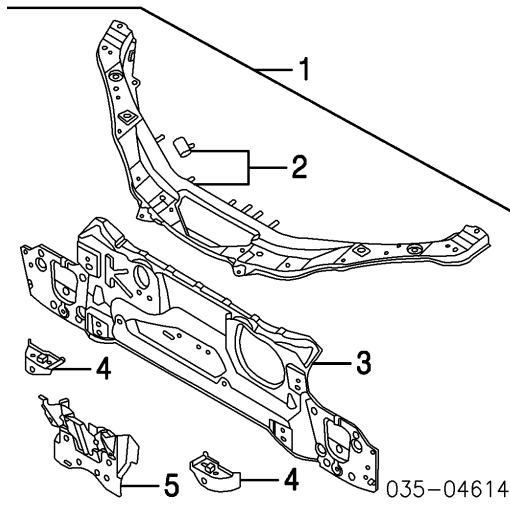


2008 Mazda MX-5 Miata Touring Convertible

FRONT INNER STRUCTURE

Procedures 8 and 28

FRONT



Refinish Radiator Support Assy	1.5		
Refinish Upper Tie Bar	1.0		
Refinish Support Panel	1.0		
Add to R&R Radiator Support			
To R&I/R&R Base Model Mechanical Components	#.4		
#Includes R&I/R&R Front Air Bag Sensor			
Add to R&R Radiator Support w/ A/C	#.5		
#Includes R&I/R&R A/C Condenser			
Add to R&R Radiator Support w/Auto Trans	.2		
w/Pwr Strg Cooler	.3		
To Aim Lamps	.4		
Evacuate & Recharge System	1.4		
Recover Refrigerant	.3		
1 Support Assy, Radiator	#7.0	NE51-53-100F	\$279.44

2008 Mazda MX-5 Miata Touring Convertible

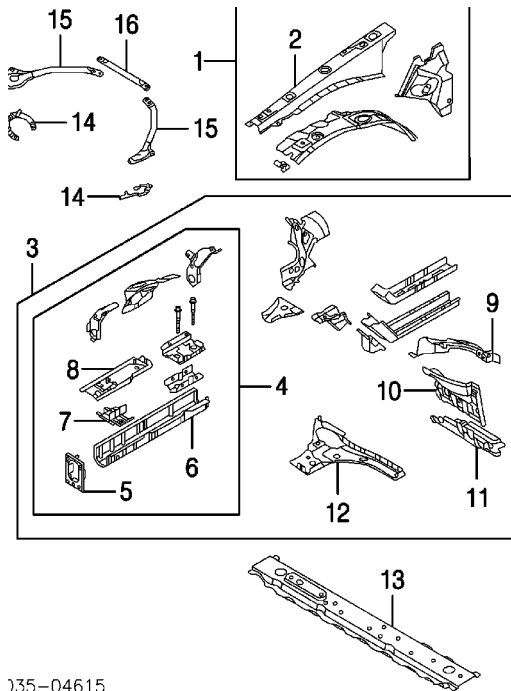
#Includes R&I/R&R Combination Lamp Assemblies, Radiator Assy, Cooling Fan Assy, Horn, Hood Latch, Hood Support Rod, Inlet Duct, Front Under Cover, Disconnect & Connect Hood Release Cable, Wiring &/or Harness as Necessary

2 Bar, Upper Tie¶		1.8	NE51-53-150C	\$111.14
3 Panel, Support¶		3.0	NE51-53-110B	\$98.84
4 Bracket, Condenser¶	R		NE51-53-19XA	\$14.84
	L		NE51-54-19XA	\$12.30
5 Reinf, Support¶			NE51-53-15XB	\$19.79

¶Included w/Radiator Support Assy

Striker, Hood-See Hood Section

SIDE



035-04615

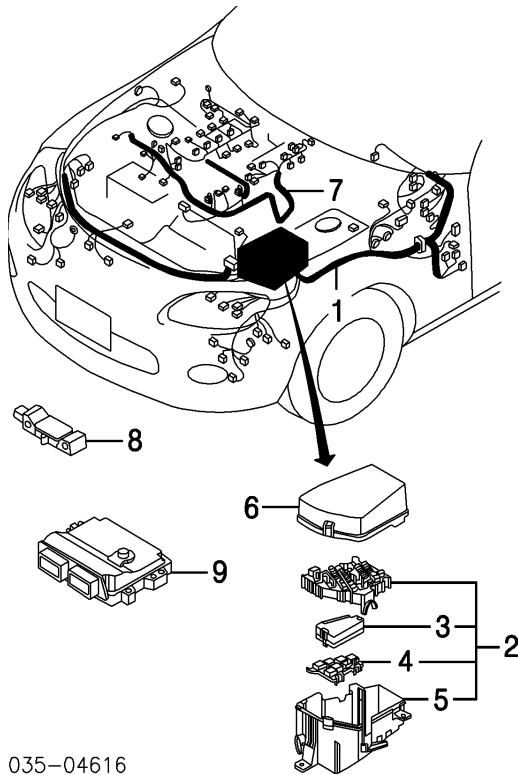
Refinish Apron/Sidemember Assy Complete	R	1.5
	L	1.5
Refinish Fender Apron Assy	R	1.0
	L	1.0
Refinish Apron Reinf	R	.5
	L	.5
Refinish Side Frame Assy	R	1.0
	L	1.0

2008 Mazda MX-5 Miata Touring Convertible

			R	.5		
			L	.5		
1	Apron Assy, Fender		R	3.5	NE51-53-210A	\$149.71
			L	3.5	NE51-54-210B	\$149.71
2	Reinf, Apron¶		R	2.0	NE51-53-260	\$39.91
			L	2.0	NE51-54-260A	\$39.91
	¶Included w/Fender Apron Assy					
3	Frame Assy, Side	06-0	R	14.5	NE51-53-300D	\$878.96
			L	14.5	NE51-54-300E	\$878.96
		09-1	R	14.5	NE51-53-300D	\$878.96
			L	14.5	NE51-54-300F	\$878.96
4	Frame Assy, Front (a)		R	7.0	NE51-53-31XG	\$308.58
			L	7.0	NE51-54-31XG	\$441.22
5	Brkt, Bumper (a) (b)		R	.5	NE51-53-33X	\$17.93
			L	.5	NE51-53-33X	\$17.93
6	Rail, Inr Frame (a) (b)		R	#4.5	NE51-53-310C	\$111.48
			L	#4.5	NE51-54-310C	\$109.57
7	Bracket, Crossmember (a) (b)		R	#4.5	NE51-53-16Y	\$22.00
			L	#4.5	NE51-54-16Y	\$22.00
8	Rail, Otr Frame (a) (b)		R	#4.5	NE51-53-321C	\$22.12
			L	#4.5	NE51-54-320C	\$16.12
	(b) Included w/Front Frame Assy					
	#R&R One Side Complete					
9	Frame, Side (a)		R		NE51-53-331	\$29.01
			L		NE51-54-331	\$29.01
10	Reinf, Side Frame (a)		R	#3.0	NE51-53-315	\$35.34
			L	#3.0	NE51-54-315	\$30.59
11	Box, Torque (a)		R	#3.0	NE51-53-381A	\$46.03
			L	#3.0	NE51-54-381B	\$46.03
	#R&R One Side Complete					
12	Reinf, Rear Frame (a)		R	2.0	NE51-53-39X	\$84.38
			L	2.0	NE51-54-39X	\$84.38
	(a) Included w/Side Frame Assy					
13	Crossmember				NE51-53-16XC	\$59.87
14	Brkt, Strut Bar		R		F151-56-49Y	\$14.81
			L		F151-56-49Z	\$14.81
	Bar, Strut					
15	Side		R		NE57-56-48X	\$72.83
			L		NE57-56-49X	\$72.83
16	Center				NE57-56-48ZA	\$28.23

2008 Mazda MX-5 Miata Touring Convertible

ELECTRICAL COMPONENTS



035-04616

1 Harness Assy, Front†
Man Trans

06-08 NF50-67-010K \$1,545.39

09-10 NH25-67-010B \$1,896.54

Auto Trans

06-08 NF55-67-010L \$1,868.03

09-10 NH37-67-010B \$2,210.53

†Order by Application

Harness, Marker/Signal Lamp-Serviced w/Front Harness Assy

2 Block Assy, Fuse (a)

NE51-66-760B \$164.56

3 Cover, Relay Box (a) (b)

.1 NE51-66-751 \$7.48

4 Cover, Fuse Box (a) (b)

NE51-66-762 \$5.63

5 Cover, Lower Fuse Block (a) (b)

NE51-66-767B \$42.81

(a) Included w/Front Harness Assy

(b) Included w/Fuse Block Assy

6 Cover, Upper Fuse Block

.1 NE51-66-76YD \$44.95

7 Harness, Engine

2008 Mazda MX-5 Miata Touring Convertible

2006-08

Man Trans¶

NF53-67-070E

\$231.51

Auto Trans

NE61-67-070F

\$621.34

2009-10

Man Trans

5 Speed

NH42-67-070

\$299.40

6 Speed

NH46-67-070

\$291.00

Auto Trans

NH50-67-070

\$509.94

¶Order by Application

8 Sensor, Front Impact-See Air Bag System Section

9 Module, Powertrain Control-See Electrical Section

Harness, Lamp-Serviced w/Engine Harness

AIR BAG SYSTEM

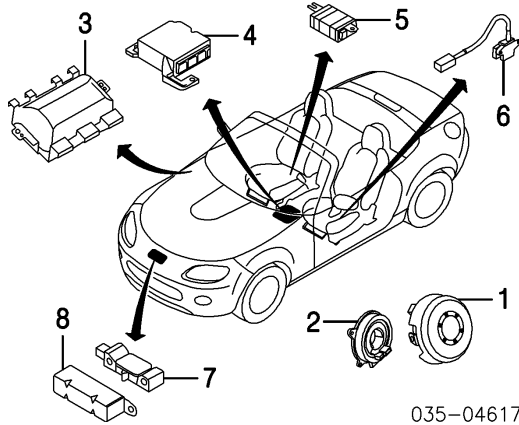
Procedure 30

NOTE 1: R&I/R&R Does Not include disable and enable or diagnose Air Bag System.

NOTE 2: Refer to Procedural Explanation 30 for Supplemental Restraint/Air Bag System Component Inspection and Replacement Information.

NOTE 3: For Air Bag System Service procedures, refer to Manufacturer's Service Repair Manual or Mitchell's Air Bag Service and Repair Manual.

FRONT



Disable & Enable Air Bag System .3

Diagnose Air Bag System (If Required) #1.0

#Includes Disconnect & Connect Scan Tool & Retrieve/Clear Trouble Codes

Add to Initialize Occupant Detection ECU .3

1	Module, Driver Air Bag		
	2006-08		
	w/Audio Controls	.3	NE51-57-K00G \$844.86
	w/o Audio Controls	.3	NF47-57-K00G \$844.86
	2009-10		
	w/Auto Cruise	.3	NH19-57-K00 \$608.50
	w/o Auto Cruise	.3	NH18-57-K00 \$608.50
2	Clockspring	.7	NE51-66-CS0A \$114.99
3	Module, Passenger Air Bag	1.0	NE51-57-K50A \$885.39

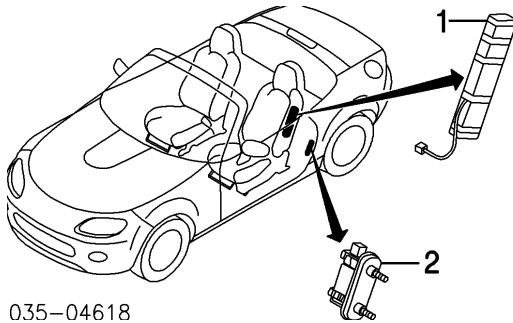
Switch, Air Bag Deactivation-See Instrument Panel Section

2008 Mazda MX-5 Miata Touring Convertible

4 Control Unit, Diagnosis	#.5	NE51-57-K30D	\$300.00
#w/Instrument Panel Removed			
5 Sensor, Occupant Detector Passenger Side	#.6	NF47-67-SW0A	\$354.79
6 Sensor, Seat Position¶ Driver Side	#.4	NF47-67-SP0A	\$57.23
¶Included w/Driver Seat Assy-listed in Front Seat Section			
#w/Seat Assy Removed			
7 Sensor, Front Impact	#.6	NE51-57-K1X	\$106.09
#w/Air Cleaner Assy Removed			
8 Bracket, Sensor		NE51-57-KX1	\$7.48

Pretensioner, Seat Belt-See Seat Belts Section

SIDE

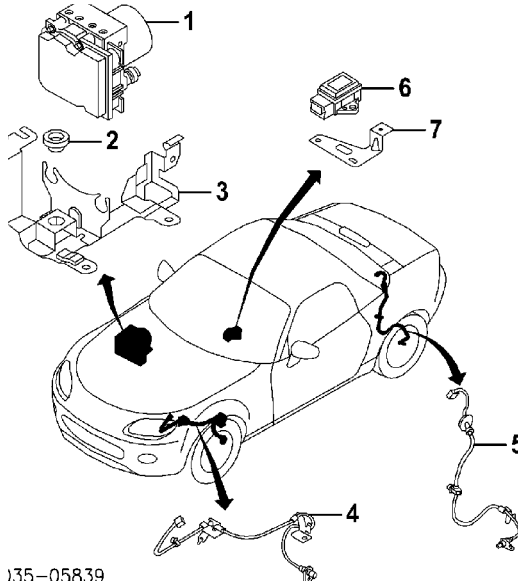


035-04618

Disable & Enable Air Bag System			.3
Diagnose Air Bag System (If Required)	#1.0		
#Includes Disconnect & Connect Scan Tool & Retrieve/Clear Trouble Codes			
1 Module, Seat Air Bag¶ Passenger	#.4	NE51-57-KA0C	\$428.95
Driver	#.4	NE51-57-KB0C	\$441.62
¶Included w/Passenger Seat Assy			
#w/Seat Back Cover Removed			
2 Sensor, Side Impact	R #.4	NE51-57-KC0A	\$135.84
	L #.4	NE51-57-KC0A	\$135.84
#w/Quarter Trim Removed			

2008 Mazda MX-5 Miata Touring Convertible

ABS/BRAKES



135-05839

Bleed Brake System

w/ABS

w/o ABS

.6

.3

NOTE: R&R Does Not include bleed brake system.

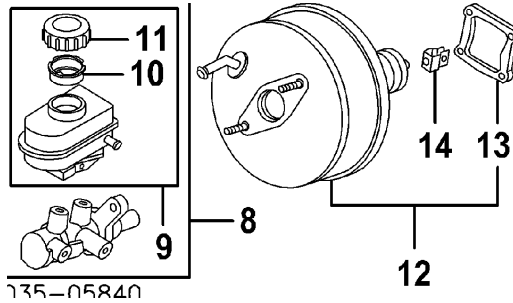
1 Module, ABS				
w/DSC	06-0	1.4	NEY5-43-7A0	\$1,461.26
	09-1	1.4	NHY4-43-7A0A	\$1,155.15
w/o DSC		1.4	NFY9-43-7A0	\$702.62
2 Mount, Module			NF49-43-7A6	\$7.85
3 Bracket, Module				
w/DSC		#.3	NE55-43-310C	\$60.78
w/o DSC		#.3	NF49-43-310C	\$60.78
#w/ABS Module Removed				
4 Sensor, Front ABS	R	#.6	NF49-43-70XC	\$92.16
	L	#.6	NF49-43-73XC	\$92.16
#R&R Both Sides 1.0				
5 Sensor, Rear ABS	R	#.6	NF49-43-71YA	\$98.78
	L	#.6	NF49-43-72YA	\$98.78
#R&R Both Sides 1.0				
Rotor, Rear Sensor-Serviced w/Rear ABS Sensor				
6 Sensor, Yaw Rate		#.5	F153-43-7Y1A	\$611.57
#w/Center Console Removed				

2008 Mazda MX-5 Miata Touring Convertible

7 Brkt, Sensor

NF47-43-7Y2

\$2.95



8 Cylinder Assy, Brake Master

Man Trans
w/DSC

06-0 #.7

NE55-43-40ZA

\$159.80

09-1 #.7

NE55-43-40ZA

\$159.80

w/o DSC

#.7

NF47-43-40ZA

\$167.80

Auto Trans
w/DSC

06-0 #.7

NF59-43-40ZA

\$148.41

09-1 #.7

NF59-43-40ZA

\$148.41

w/o DSC

06-0 #.7

NE61-43-40ZA

\$180.94

09-1 #.7

NE61-43-40ZA

\$180.94

#Includes R&R Reservoir

9 Reservoir Assy, Brake¶

Man Trans

06-0

.4 NF47-43-55ZB

\$51.11

09-1

.4 NG90-43-55Z

\$49.66

Auto Trans

.4 NE61-43-55ZB

\$49.66

10 Filter, Tank (a)¶

06-08

B603-43-558

\$7.04

09-10

N.A.

11 Cap, Reservoir (a)¶

BN8F-43-55YC

\$7.19

¶Included w/Brake Master Cylinder Assy

(a) Included w/Brake Reservoir Assy

12 Booster, Brake

#1.5

NFY7-43-80Z

\$135.67

#Includes R&R Brake Master Cylinder

13 Gskt, Booster

H001-43-443

\$1.01

14 Fork, Booster

1524-43-141

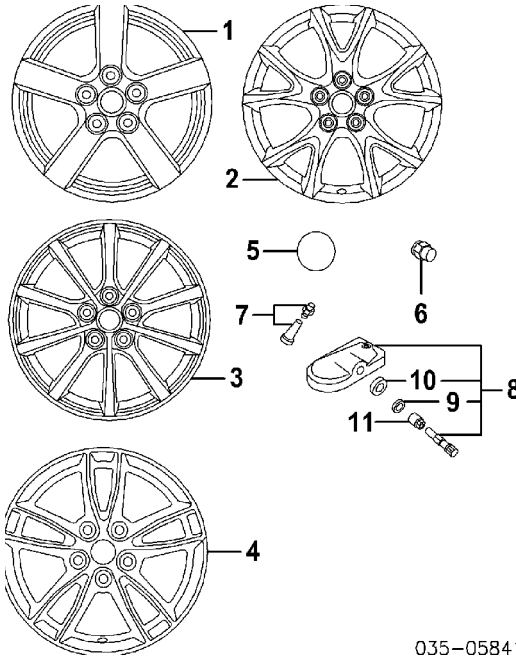
\$2.56

2008 Mazda MX-5 Miata Touring Convertible

WHEEL

Procedure 10

ALLOY WHEEL



035-0584

Add to R&I Spare Wheel & Tire Assy

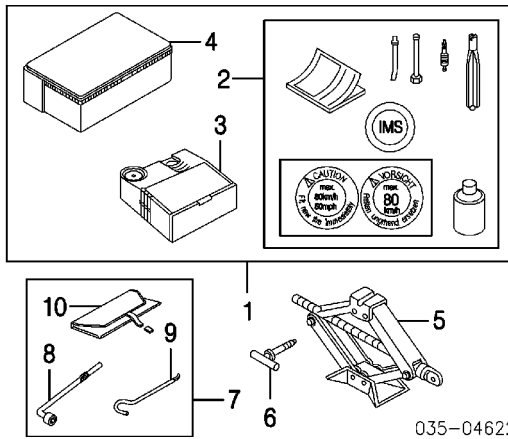
.2

Wheel, Alloy				
1	16x6-1/2"	06-0	.3 9965-60-6560	\$513.67
		09-1	.3 9965-99-6560	\$513.67
	17x7"			
	2006-08			
2	Chrome		.3 9965-36-7070	\$620.35
3	Silver		.3 9965-38-7070	\$590.20
4	2009-10		.3 9965-45-7070	\$513.67
5	Cap, Center			
	2006-08			
	Chrome		TC86-37-192	\$9.62
	Silver		G22C-37-190A	\$8.59
	2009-10		G22C-37-190A	\$8.59
6	Nut, Lug		B002-37-160B	\$6.03
7	Stem, Valve		9963-60-4130	\$8.92
8	Sensor Assy, Tire Pressure			
	w/Run Flat Tires		GS1D-37-140	
	w/o Run Flat Tires		GN3A-37-140B	\$84.04
9	Seal, Valve		GN3A-37-142A	\$4.77

2008 Mazda MX-5 Miata Touring Convertible

10 Washer	GN3A-37-143A	\$6.29
¶Included w/Tire Pressure Sensor Assy		
11 Nut, Sensor	GS1D-37-141	\$5.76

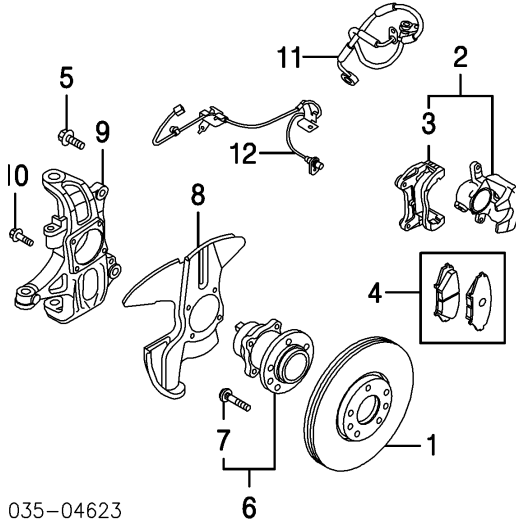
SPARE WHEEL & HARDWARE



1 Repair Kit, Flat	NE51-37-C00C	\$355.91
2 Sealant Kit, Tire	NE51-37-C1XB	\$90.12
3 Compressor, Air	FE01-37-C20A	\$172.68
4 Case, Repair Kit	NE51-37-C01A	\$49.24
¶Included w/Flat Repair Kit		
5 Jack	N077-37-790A	\$84.72
6 Retainer, Jack	B001-56-170C	\$12.15
7 Tool Set	D532-69-650	\$29.54
8 Wrench, Lug (a)	LD47-69-671	\$16.11
9 Handle, Jack (a)	LD47-37-770	\$8.96
10 Bag, Tool (a)	D532-69-670	\$13.13
(a) Included w/Tool Set		
Hook, Tow	06-0 .3 NE51-50-EJ0A	\$28.48
	10 .3 NE51-50-EJ0B	

FRONT SUSPENSION

Procedure 11



R&I Suspension/Crossmember Assy		3.8
R&I Suspension (One Side)	R	2.0
	L	2.0
O/H Suspension (Includes R&I)		
One Side (Includes R&I)	R	3.7
	L	3.7
Both Sides (Includes R&I)		7.0
Adjust Four Wheel Alignment		2.1
Adjust Front Wheel Alignment		1.6
Bleed Brake System		
w/ABS		.6
w/o ABS		.3

NOTE 1: R&I/R&R or O/H Does Not include alignment or bleed brake system.

NOTE 2: All Parts in this section are included in overhaul unless noted otherwise.

1 Rotor, Brake	R	#.6	N12Y-33-25XA	\$114.34
	L	#.6	N12Y-33-25XA	\$114.34
#R&R Both Sides 1.0				
2 Caliper Assy, Brake	R	#.5	NFZ7-33-98Z	\$440.57
	L	#.5	NFZ7-33-99Z	\$229.76
3 Support, Caliper	R	#.5	NF47-33-281	\$157.91
	L	#.5	NF47-33-281	\$157.91

2008 Mazda MX-5 Miata Touring Convertible

¶Included w/Brake Caliper Assy

#R&R One Side Complete, w/Rotor Removed Deduct .3

4 Pad Set, Brake	06-0 #1.0	NFY7-33-23ZB	\$97.06
	09-1 #1.0	NFY7-33-28ZC	\$97.06

#Deduct .5 for Each Caliper Removed

5 Bolt, Caliper (2/Side)	R	9YA0-2A-225	\$8.80
	L	9YA0-2A-225	\$8.80

6 Hub Assy			
w/ABS	R #1.0	NE51-33-04X	\$302.41
	L #1.0	NE51-33-04X	\$302.41
w/o ABS	06-0 R #1.0	NF47-33-04X	\$262.55
	L #1.0	NF47-33-04X	\$262.55

7 Stud, Lug (5/Side) (a)	R	F151-33-062	\$5.49
	L	F151-33-062	\$5.49

(a) Included w/Hub Assy

8 Shield, Splash	R #1.0	NF47-33-261B	\$18.70
	L #1.0	NF47-33-271B	\$18.70

#R&R One Side Complete, Includes R&R Brake Rotor

9 Knuckle	06-0 R #1.5	NE51-33-020C	\$117.67
	L #1.5	NE51-33-030C	\$152.34
	09-1 R #1.5	NH42-33-020	\$117.88
	L #1.5	NH42-33-030	\$117.88

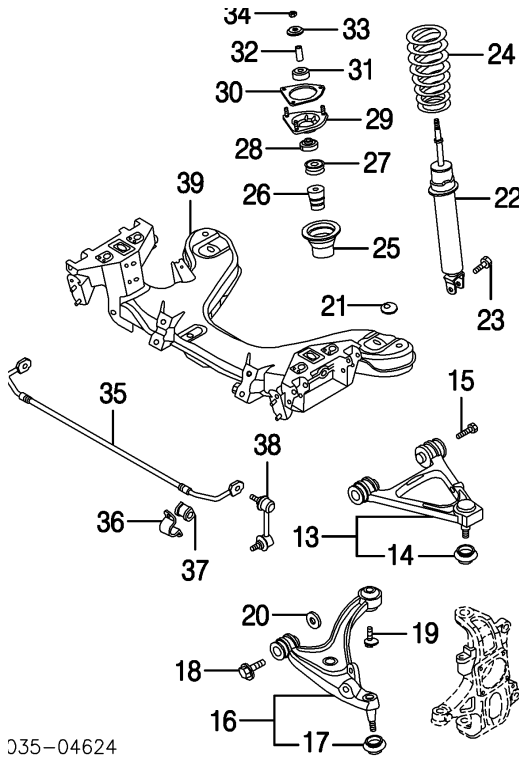
#Includes R&R Hub, Brake Rotor & Splash Shield

10 Bolt, Knuckle (4/Side)	R	9YA1-61-002	\$3.44
	L	9YA1-61-002	\$3.44
11 Hose, Brake	R #.3	NF47-43-980B	\$106.49
	L #.3	NF47-43-990A	\$106.49

#w/Brake Caliper Assy Removed Deduct .2

12 Sensor, Front ABS-See ABS/Brakes Section

2008 Mazda MX-5 Miata Touring Convertible



035-04624

13	Arm Assy, Upper Control	R	#1.3	NE51-34-200B	\$212.06
		L	#1.3	NE51-34-250B	\$188.60
<p>#R&R Both Sides 2.4, w/Knuckle Removed Deduct .7</p>					
14	Boot, Dust (b)	R		F151-34-541	\$9.75
		L		F151-34-541	\$9.75
<p>(b) Included w/Upper Control Arm Assy</p>					
15	Bolt, Upr Control Arm (2/Side)	R		9YA0-21-223A	\$9.97
		L		9YA0-21-223A	\$9.97
16	Arm Assy, Lower Control	R	#2.1	NE51-34-300D	\$222.31
		L	#2.1	NE51-34-350D	\$252.00
<p>#R&R Both Sides 4.0, w/Knuckle Removed Deduct 1.2</p>					
17	Boot, Dust (c)	R		F151-34-551	\$10.59
		L		F151-34-551	\$10.59
<p>(c) Included w/Lower Control Arm Assy</p>					
<p>Bolt, Lwr Control Arm</p>					
18	Front	R		F151-28-66Z	\$8.70

2008 Mazda MX-5 Miata Touring Convertible

		L		F151-28-66Z	\$8.70	
19	Rear	R		F151-34-66Z	\$8.70	
		L		F151-34-66Z	\$8.70	
	Plate, Cam					
20	Front	R		F151-28-473	\$3.70	
		L		F151-28-473	\$3.70	
21	Rear	R		F151-34-473	\$5.28	
		L		F151-34-473	\$5.28	
22	Strut, Front					
	2006-08					
	w/Retractable Hardtop					
	w/Run Flat Tires	07-0	R	#1.8	NG22-34-700A	\$152.47
			L	#1.8	NG22-34-700A	\$152.47
	w/o Run Flat Tires					
	Std Susp					
	16" Wheels	07-0	R	#1.8	FE92-34-700	\$177.89
			L	#1.8	FE92-34-700	\$177.89
	17" Wheels	07-0	R	#1.8	FE92-34-700	\$177.89
			L	#1.8	FE92-34-700	\$177.89
	Sport Susp	07-0	R	#1.8	NG24-34-700B	\$220.68
			L	#1.8	NG24-34-700B	\$220.68
	w/o Retractable Hardtop					
	w/Run Flat Tires		R	#1.8	NG14-34-700B	\$152.47
			L	#1.8	NG14-34-700B	\$152.47
	w/o Run Flat Tires					
	Std Susp					
	16" Wheels		R	#1.8	N121-34-700	\$121.13
			L	#1.8	N121-34-700	\$121.13
	17" Wheels		R	#1.8	FE92-34-700	\$177.89
			L	#1.8	FE92-34-700	\$177.89
	Sport Susp		R	#1.8	NF53-34-700C	\$220.87
			L	#1.8	NF53-34-700C	\$220.87
	2009-10					
	w/Retractable Hardtop					
	w/Run Flat Tire		R	#1.8	NH23-34-700	\$164.12
			L	#1.8	NH23-34-700	\$164.12
	w/o Run Flat Tire					
	w/LSD		R	#1.8	NH47-34-700A	\$221.85
			L	#1.8	NH47-34-700A	\$221.85
	w/o LSD		R	#1.8	NH43-34-700	\$91.11
			L	#1.8	NH43-34-700	\$91.11
	w/o Retractable Hardtop					
	w/Run Flat Tire		R	#1.8	NH22-34-700	\$164.12
			L	#1.8	NH22-34-700	\$164.12
	w/o Run Flat Tire					
	w/LSD		R	#1.8	NH46-34-700	\$221.85

2008 Mazda MX-5 Miata Touring Convertible

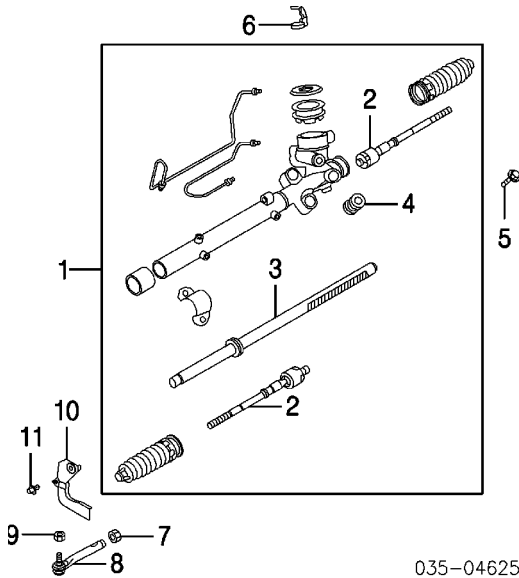
	L	#1.8	NH46-34-700	\$221.85
w/o LSD	R	#1.8	NH42-34-700	\$91.11
	L	#1.8	NH42-34-700	\$91.11
23 Bolt, Strut Mtg	R		9YA0-21-223A	\$9.97
	L		9YA0-21-223A	\$9.97
24 Spring, Coil (d)				
2006-08				
w/Retractable Hardtop	07-0 R	#1.8	NF47-34-011A	\$80.66
	L	#1.8	NF47-34-011A	\$80.66
w/o Retractable Hardtop	R	#1.8	N123-34-011	\$83.09
	L	#1.8	N123-34-011	\$83.09
2009-10				
Man Trans	R	#1.8	NH42-34-011	\$65.48
	L	#1.8	NH42-34-011	\$65.48
Auto Trans	R	#1.8	NH45-34-011	\$80.55
	L	#1.8	NH45-34-011	\$80.55
(d) Order by Application				
25 Seat, Upr Spring	R	#1.8	F151-34-012B	\$20.49
	L	#1.8	F151-34-012B	\$20.49
26 Bumper, Rebound	R	#1.8	NE51-34-111	\$18.44
	L	#1.8	NE51-34-111	\$18.44
27 Cap, Bump Stop	R	#1.8	F151-34-778	\$6.85
	L	#1.8	F151-34-778	\$6.85
28 Bushing, Lower	R	#1.8	F151-28-776A	\$5.57
	L	#1.8	F151-28-776A	\$5.57
29 Brkt, Strut Mtg	R	#1.8	F151-34-340A	\$23.51
	L	#1.8	F151-34-340A	\$23.51
30 Damper, Upper	R	#1.8	F151-34-003	\$2.82
	L	#1.8	F151-34-003	\$2.82
31 Bushing, Upper	R	#1.8	F151-28-775B	\$4.95
	L	#1.8	F151-28-775B	\$4.95
32 Spacer	R	#1.8	F151-28-773	\$4.57
	L	#1.8	F151-28-773	\$4.57
33 Washer	R	#1.8	F151-28-774	\$3.24
	L	#1.8	F151-28-774	\$3.24
#R&R One Side Complete, R&R Both Sides 3.4, w/Knuckle Removed Deduct .9				
34 Nut, Lock	R		9YB0-41-012	\$4.86
	L		9YB0-41-012	\$4.86
35 Bar, Stabilizer				
w/Retractable Hardtop	07-0	#1.0	NG20-34-151	\$125.88
	09-1	#1.0	NG20-34-151A	\$107.94
w/o Retractable Hardtop	06-0	#1.0	NE51-34-151	\$107.73
	09-1	#1.0	NE51-34-151A	\$107.70

#Includes R&R Stabilizer Links, Brackets & Bushings, Not Included in O/H

2008 Mazda MX-5 Miata Touring Convertible

36 Brkt, Stabilizer	R	#.3	F151-34-155	\$5.57
	L	#.3	F151-34-155	\$5.57
37 Bushing, Stab				
w/Retractable Hardtop	07-1 R	#.3	NG20-34-156	\$8.51
	L	#.3	NG20-34-156	\$8.51
w/o Retractable Hardtop	R	#.3	NE51-34-156	\$5.78
	L	#.3	NE51-34-156	\$5.78
#R&R One Side Complete, Not Included in O/H				
38 Link, Stabilizer	R	#.4	F151-34-150	\$38.45
	L	#.4	F151-34-170	\$34.07
#Not Included in O/H				
39 Crossmember, Susp				
2006-08		#5.3	NE51-34-800C	\$663.54
2009-10				
w/Retractable Hardtop		#5.3	NH53-34-80XA	\$663.55
w/o Retractable Hardtop		#5.3	NE51-34-800C	\$663.54
#Not Included in O/H				

FRONT STEERING LINKAGE/GEAR



R&I Steering Gear

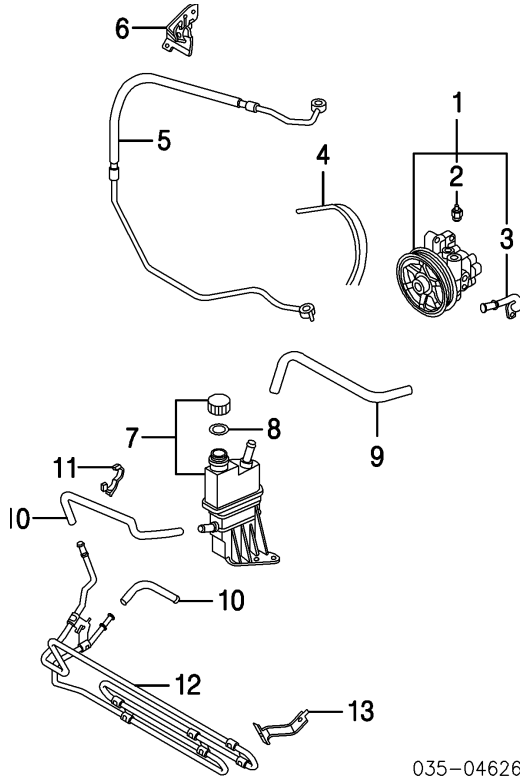
1.7

NOTE: R&I/R&R Does Not include check or adjust alignment.

1 Gear Assy, Steering		2.0	NE51-32-110C	\$727.52
2 Rod, Tie¶	R	#.6	NE51-32-240	\$59.30
	L	#.6	NE51-32-240	\$59.30
#w/Steering Gear Removed, R&R Both Sides .9, Includes R&R Tie Rod End				
3 Rack, Gear¶			NE51-32-119	\$164.48
4 Bushing, Mtg (2)¶			NE51-32-123	\$15.18
¶Included w/Steering Gear Assy				
5 Bolt, Mtg (2/Side)	R		9945-61-220	\$3.92
	L		9YA0-21-240A	\$7.47
6 Clamp, Steering Gear			NE51-32-183	\$2.82
7 Nut, Adjuster	R		NE51-32-137	\$10.59
	L		NE51-32-137	\$10.59
8 End, Tie Rod	R	.3	NE51-32-280A	\$60.09
	L	.3	NE51-32-280A	\$60.09
9 Nut, Lock	R		9YB0-41-208	\$3.94
	L		9YB0-41-208	\$3.94
10 Cover, Steering Gear	R		N121-32-986	\$22.45
	L		N121-32-989	\$22.45
11 Clip, Retainer	R		BC1D-56-145	\$1.17
	L		BC1D-56-145	\$1.17

2008 Mazda MX-5 Miata Touring Convertible

STEERING PUMP



035-04626

1 Pump Assy, Steering		2.0 NE51-32-650C	\$292.76
2 Sensor, Pressure¶		.5 NE51-32-230	\$37.00
3 Pipe, Suction¶		.6 NE51-32-5M0	\$44.05
¶Included w/Steering Pump Assy			
4 Belt, Drive-See Cooling Section			
5 Hose, Pressure		.9 NE51-32-420B	\$159.06
6 Bracket, Hose		NE51-32-18XB	\$66.06
7 Reservoir, Fluid		.5 NE51-32-690B	\$67.47
8 Gskt, Cap		T001-32-554	\$4.34
9 Hose, Suction		.4 NE51-32-688	\$21.22
10 Hose, Return	R #.5	NE51-32-683B	\$35.42
	L #.5	NE51-32-684	\$13.17
#R&R Both Sides .8			
11 Clip, Hose		L336-15-285	\$1.17
12 Cooler, Strg Fluid		1.3 NE51-32-470C	\$134.15
13 Bracket, Cooler		NE51-32-18YA	\$7.02

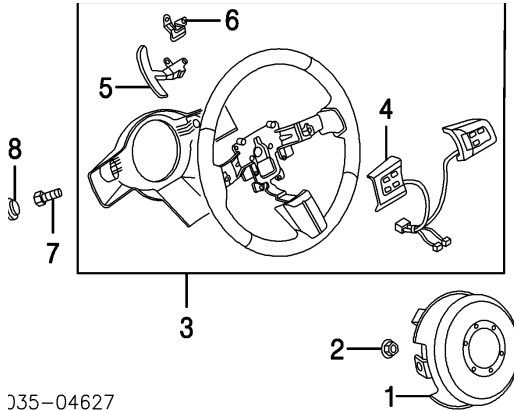
2008 Mazda MX-5 Miata Touring Convertible

STEERING WHEEL/COLUMN

NOTE: All Parts in this section are included in overhaul unless noted otherwise.

WHEEL & TRIM

2006-08



J35-04627

1 Module, Driver Air Bag-See Air Bag System Section

2 Nut, Steering Wheel		9994-81-200	\$3.47
3 Wheel Assy, Steering			
Leather			
w/Audio Controls			
w/Shifter Switch	.6	NF55-32-980C	\$1,581.10
w/o Shifter Switch	.6	NE55-32-980D	\$1,116.62
w/o Audio Controls	.6	NE51-32-980A	\$760.79
Urethane	.6	NE59-32-980A	\$286.44
4 Switch, Steering Wheel¶			
w/Shifter Switch	.3	NF55-66-4M0A	\$386.69
w/o Shifter Switch	.3	NE51-66-4M0C	\$330.49
5 Switch, Shifter¶	R	.3 F154-66-3P0A	\$144.05
	L	.3 F155-66-3P0A	\$145.21
6 Cover, Switch Hole¶	R	F154-66-4M1	\$7.32
	L	F155-66-4M1	\$7.32

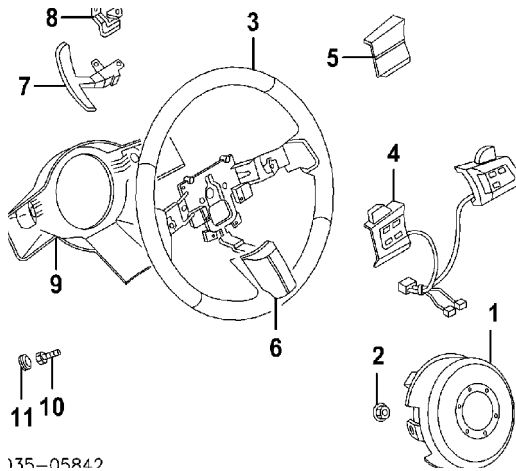
¶Included w/Steering Wheel Assy

7 Bolt, Steering Wheel (2)		9YA4-20-603	\$1.55
8 Cap, Bolt (2)		T060-32-9L1-00	\$2.99

WHEEL & TRIM

2009-10

2008 Mazda MX-5 Miata Touring Convertible



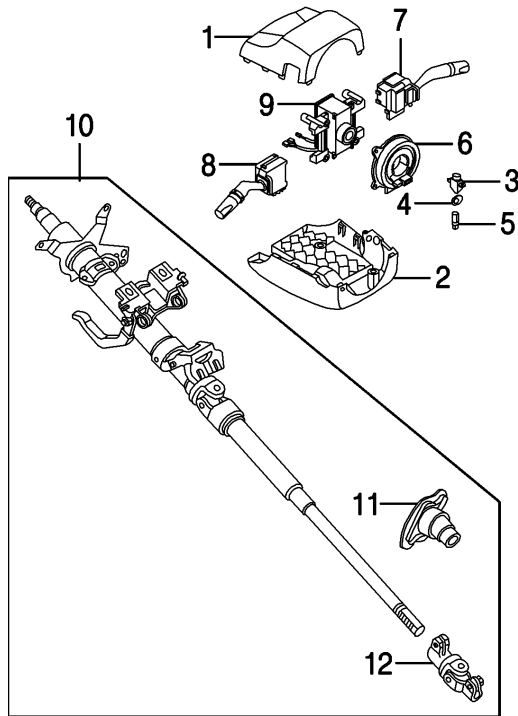
135-05842

1 Module, Driver Air Bag-See Air Bag System Section

2 Nut, Steering Wheel		9994-81-200	\$3.47
3 Wheel, Steering			
Leather	.6	NE51-32-982	\$1,016.32
Urethane	.6	NE59-32-982	\$117.57
4 Switch, Steering Wheel			
w/Bluetooth			
Man Trans	.3	NJ27-66-4M0	\$168.62
Auto Trans	.3	NJ28-66-4M0	\$202.86
w/o Bluetooth			
Man Trans	.3	NE51-66-4M0C	\$330.49
Auto Trans	.3	NF55-66-4M0A	\$386.69
Cover, Strg Wheel			
5 No. 1	R	NH52-32-986	\$33.17
	L	NH52-32-989	\$33.17
6 No. 2			
w/Audio Switch		NE51-32-983	\$49.93
w/o Audio Switch		NH52-32-983	\$20.07
7 Switch, Shifter	R	F154-66-3P0A	\$144.05
	L	F155-66-3P0A	\$145.21
8 Cover, Switch Hole	R	F154-66-4M1	\$7.32
	L	F155-66-4M1	\$7.32
9 Cover, Wheel Core			
w/Shifter Switch		NF55-32-049	\$6.83
w/o Shifter Switch		NE51-32-049	\$11.22
10 Bolt, Steering Wheel (2)		9YA4-20-603	\$1.55
11 Cap, Bolt (2)		T060-32-9L1-00	\$2.99

COLUMN TILT

2008 Mazda MX-5 Miata Touring Convertible



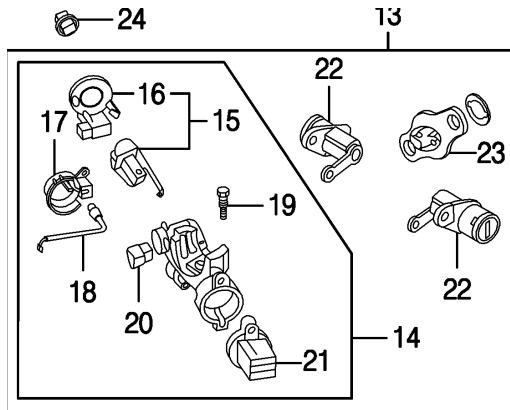
035-04628

R&I Steering Column			1.6	
O/H Steering Column			3.0	
1 Cover, Upper Column				
w/Keyless Entry	#.3	NE52-60-221		\$7.57
w/o Keyless Entry	#.3	NE51-60-221		\$7.78
2 Cover, Lower Column				
w/Keyless Entry	#.3	NE52-60-231		\$11.11
w/o Keyless Entry	#.3	NE51-60-231		\$11.11
#R&R Complete				
3 Lamp				
w/o Keyless Entry		F151-60-245A		\$2.74
4 Cover, Bulb				
w/Keyless Entry		NE52-60-236		\$5.79
w/o Keyless Entry		F151-60-246		\$3.24
5 Bulb				
w/o Keyless Entry		B456-60-223		\$3.33
6 Clockspring-See Air Bag System Section				
7 Switch, Wiper	06-0	.8 NE51-66-128		\$108.41
	09-1	.8 NE52-66-128		\$105.54
8 Switch, Headlamp				
w/Fog Lamps		.8 GJ6H-66-122		\$77.24
w/o Fog Lamps		.8 GJ6R-66-122		\$77.15

2008 Mazda MX-5 Miata Touring Convertible

9 Body, Switch			
w/DSC	1.1	NE51-66-1B1	\$219.14
w/o DSC	1.1	DC49-66-1B1	\$17.86
10 Column Assy, Steering	2.2	NE51-32-10XA	\$623.21
11 Boot, Dust	.4	NE51-32-210	\$32.12
12 Joint, Steering	.8	NE51-32-850	\$119.99

¶ Included w/Steering Column Assy



035-04629

13 Lock Set, Vehicle			
2006-08			
w/Keyless Entry			
w/Smart Entry System			
Man Trans	#	NF51-09-010E	\$781.16
Auto Trans	#	NF62-09-010E	\$772.12
w/o Smart Entry System			
w/Theft Deterrent			
Man Trans	#	NF49-09-010D	\$543.65
Auto Trans	#	NF61-09-010D	\$535.46
w/o Theft Deterrent			
Man Trans	#	NE59-09-010D	\$535.46
Auto Trans	#	NF55-09-010G	\$542.85
w/o Keyless Entry			
Man Trans	#	NE51-09-010D	\$496.28
Auto Trans	#	NE61-09-010C	\$684.29
2009-10			
w/Keyless Entry			
w/Theft Deterrent			
Man Trans	#	NF49-09-010F	\$496.28
Auto Trans	#	NF61-09-010G	\$496.28
w/o Theft Deterrent			
Man Trans	#	NE59-09-010F	\$496.28

2008 Mazda MX-5 Miata Touring Convertible

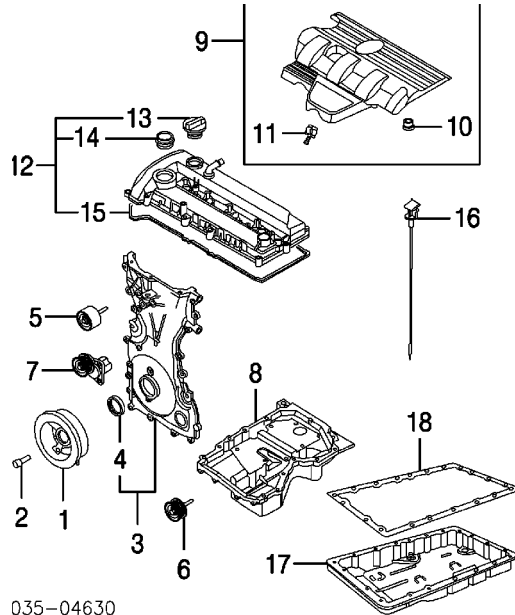
Auto Trans	#	NF55-09-010G	\$542.85
w/o Keyless Entry			
w/Smart Entry System			
Man Trans	#	NH18-09-010	\$582.65
Auto Trans	#	NH32-09-010	\$582.65
w/o Smart Entry System			
Man Trans	#	NE51-09-010D	\$496.28
Auto Trans	#	NE61-09-010E	\$496.28
#Not Included in O/H			
14 Lock Set, Steering (a)			
2006-08			
w/Keyless Entry			
w/Smart Entry System			
Man Trans	2.2	NFY1-76-29XC	\$586.20
Auto Trans	2.2	NFY2-76-29XC	\$575.00
w/o Smart Entry System			
Man Trans	2.2	NEY9-76-29XA	\$353.07
Auto Trans	2.2	NFY5-76-29XA	\$383.88
w/o Keyless Entry			
Man Trans	2.2	NEZ1-76-29XB	\$361.25
Auto Trans	2.2	NFZ1-76-29XA	\$355.86
2009-10			
w/Keyless Entry			
Man Trans	2.2	NEY9-76-29XC	\$240.03
Auto Trans	2.2	NFY5-76-29XD	\$240.03
w/o Keyless Entry			
w/Smart Entry System			
Man Trans	2.2	NHY2-76-29X	\$501.57
Auto Trans	2.2	NHY3-76-29X	\$501.57
w/o Smart Entry System			
Man Trans	2.2	NEZ1-76-29XB	\$361.25
Auto Trans	2.2	NFZ1-76-29XC	\$222.42
15 Lock Assy, Ignition (a) (b)			
2006-08			
w/Keyless Entry			
w/o Smart Entry System			
Man Trans	1.8	NEY9-76-14X	\$329.17
Auto Trans	1.8	NFY5-76-14XC	\$334.19
w/o Keyless Entry			
Man Trans	1.8	NEZ1-76-14XA	\$305.82
Auto Trans	1.8	NFZ1-76-14X	\$301.23
2009-10			

2008 Mazda MX-5 Miata Touring Convertible

w/Keyless Entry			
Man Trans		1.8 NEY9-76-14XB	\$205.80
Auto Trans		1.8 NFY5-76-14XC	\$334.19
w/o Keyless Entry			
Man Trans		1.8 NEZ1-76-14XA	\$305.82
Auto Trans		1.8 NFZ1-76-14XB	\$188.23
16 Immobilizer			
w/Smart Entry System		.9 D461-66-938B	\$200.23
w/o Smart Entry System (a) (b) (c)			
Man Trans	06-0	.9 NF47-66-938	\$149.84
	09-1	.9 NF47-66-938A	\$191.42
Auto Trans	06-0	.9 NE61-66-938B	\$148.06
	09-1	.9 NE61-66-938B	\$148.06
(c) Included w/Ignition Lock Assy			
17 Antenna, Ignition (a) (b)			
w/Smart Entry System		NF47-66-142	\$10.10
18 Bulb, Strg Lock (a) (b)			
w/Smart Entry System		NF47-66-143	\$5.21
19 Bolt, Shear (2) (a) (b)		H043-66-154	\$6.41
20 Switch, Keyless Entry (a) (b)			
w/o Smart Entry System		LC70-66-157	\$10.49
21 Switch, Ignition (a) (b)		1.1 GP7A-66-151	\$98.99
(b) Included w/Steering Lock Set			
22 Cylinder, Door Lock (a)-See Front Door Section			
23 Cylinder, Luggage Lid Lock (a)-See Rear Body Section			
(a) Included w/Vehicle Lock Set			
24 Knob, Switch		NF51-66-141A-02	\$36.10

ENGINE/TRANSMISSION

Procedure 12



035-04630

R&I Engine/Trans Assy

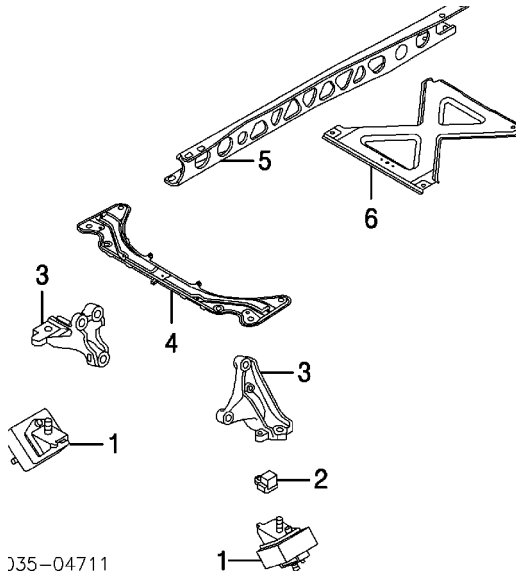
	7.2		
1 Pulley, Crankshaft	1.2	LF94-11-400	\$116.93
		LF01-11-406	\$9.97
2 Bolt, Crankshaft	06-0 #2.3	LFE2-10-500A	\$281.10
3 Cover Assy, Timing	09-1 #2.3	LFE2-10-500B	\$164.89
#Includes R&R Crankshaft Pulley			
4 Seal, Timing Cover¶		L3G6-10-602	\$9.94
¶Included w/Timing Cover Assy			
Pulley, Idler			
5 Upper	#.7	LFH1-15-940A	\$40.19
6 Lower w/ A/C	#.7	LF17-15-940E	\$89.82
7 Tensioner, Belt Man Trans	#.8	LF17-15-980E	\$148.11
Auto Trans	#.8	LFN3-15-980A	\$202.63
#Includes R&R Drive Belt			
8 Pan, Engine Oil	#3.8	LFE2-10-400C	\$291.85
#Includes R&R Front Timing Cover			
Sealant, Engine			
9 Cover Assy, Engine	.3	LFG1-10-2F0C	\$120.48
10 Mount, Rubber (2) (a)		L3G6-10-238	\$7.91

2008 Mazda MX-5 Miata Touring Convertible

11	Clip, Cover (a)	L323-10-236	\$3.35
	(a) Included w/Engine Cover Assy		
12	Cover Assy, Valve	.8 LFE2-10-210C	\$303.41
13	Cap, Oil Filler (b)	LF04-10-250	\$6.67
14	Plug, Hole (b)	L362-10-2D5A	\$32.14
15	Gskt, Valve Cover (b)	LF02-10-230	\$23.00
	(b) Included w/Valve Cover Assy		
16	Dipstick, Eng Oil	LFE2-10-450C	\$14.38
17	Pan, Trans Oil	3.5 SJ01-19-830	\$123.72
18	Gskt, Trans Oil Pan	SJ01-19-835	\$20.70

2008 Mazda MX-5 Miata Touring Convertible

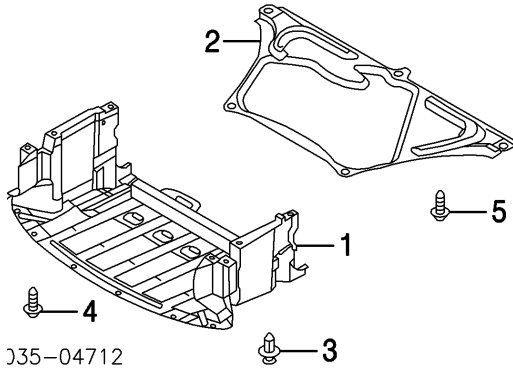
ENGINE/TRANSMISSION MOUNTS



035-04711				
1 Mount, Eng				
Man Trans	R	#.9	NE55-39-040C	\$86.57
	L	#.9	NE55-39-050D	\$86.48
Auto Trans	R	#.9	NE61-39-040F	\$86.57
	L	#.9	NE61-39-050F	\$89.19
#R&R Both Sides 1.4				
2 Damper, Dynamic	L		NE55-39-01X	\$13.36
3 Brkt, Eng Mounting	R	#.3	NE55-39-021C	\$86.90
	L	#.3	NE55-39-030A	\$94.27
#w/Mount Removed				
4 Crossmember		1.5	NE51-34-H90A	\$116.55
5 Frame, Center			NE55-39-710	\$572.37
6 Support, Rear			NE55-56-3A0C	\$127.53

2008 Mazda MX-5 Miata Touring Convertible

ENGINE UNDER COVER

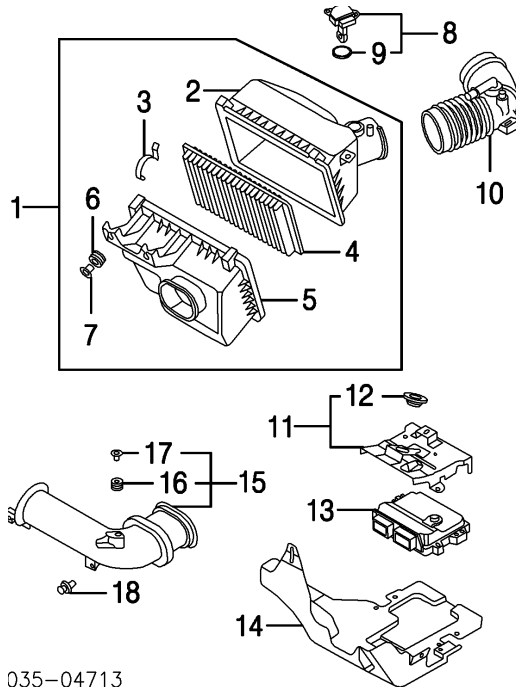


035-04712

1 Cover, Front Under	.3 NE51-56-110E	\$104.72
2 Cover, Rear Under	.2 NH42-34-H96A	\$56.65
3 Clip, Cover (14)	BC1D-56-145	\$1.17
4 Bolt, Front Cover		
Type 1, (4)	9CF6-00-516B	\$1.78
Type 2, (6)	9946-30-616	\$1.17
5 Bolt, Rear Cover (5)	9946-00-816	\$1.55

2008 Mazda MX-5 Miata Touring Convertible

AIR CLEANER



035-04713

R&I Air Cleaner Assy

- 1 Cleaner Assy, Air
- 2 Cover, Air Cleaner¶
- 3 Clip, Air Cleaner (2)¶
- 4 Element, Air Cleaner¶
- 5 Case, Air Cleaner¶
- 6 Insulator, Housing (2)¶
- 7 Grommet, Housing (2)¶

¶Included w/Air Cleaner Assy

- 8 Sensor Assy, Mass Air Flow
- 9 Gasket, Sensor (a)

(a) Included w/Mass Air Flow Sensor Assy

- 10 Hose, Outlet
- 2006-08
- 2009-10

Man Trans

5 Speed

6 Speed

Auto Trans

- 11 Bracket Assy, Mounting

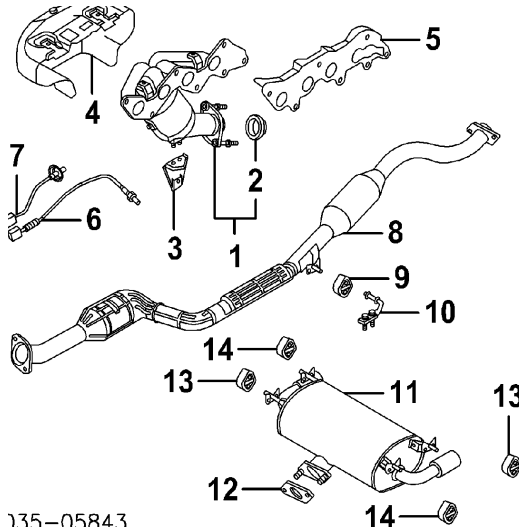
.5		
.5	LFG1-13-320A	\$230.15
	LFG1-13-Z01A	\$219.66
	ZJ01-13-Z27	\$8.41
.3	LFG1-13-Z40	\$30.36
.2	LFG1-13-Z02A	\$219.66
	LFG1-13-Z08	\$7.16
	JE48-13-Z67	\$6.27
.3	L321-13-215	\$177.15
	ZL01-13-214	\$9.52
.2	LFG1-13-220B	\$66.17
.2	LF9L-13-220A	\$66.54
.2	LF9H-13-220A	\$88.38
.2	LF9L-13-220A	\$66.54
	LFG1-20-21XB	\$38.69

2008 Mazda MX-5 Miata Touring Convertible

12 Insulator, Mtg (b)	L813-13-363A	\$6.23
(b) Included w/Mounting Bracket Assy		
13 Module, Powertrain Control-See Electrical Section		
14 Shield, Heat	LFG1-13-3C1	\$37.42
15 Duct Assy, Inlet	.3 LFG1-13-200B	\$94.42
16 Insulator, Mtg (c)	S501-13-349	\$3.81
17 Spacer, Insulator (c)	SLA1-13-321	\$4.12
(c) Included w/Inlet Duct Assy		
18 Clip, Duct (2)	BC1D-56-145	\$1.17

2008 Mazda MX-5 Miata Touring Convertible

EXHAUST



R&I Exhaust System Complete

#1.2

R&R Exhaust System Complete

#1.7

#Does Not Include Exhaust Manifold or Heat Shield

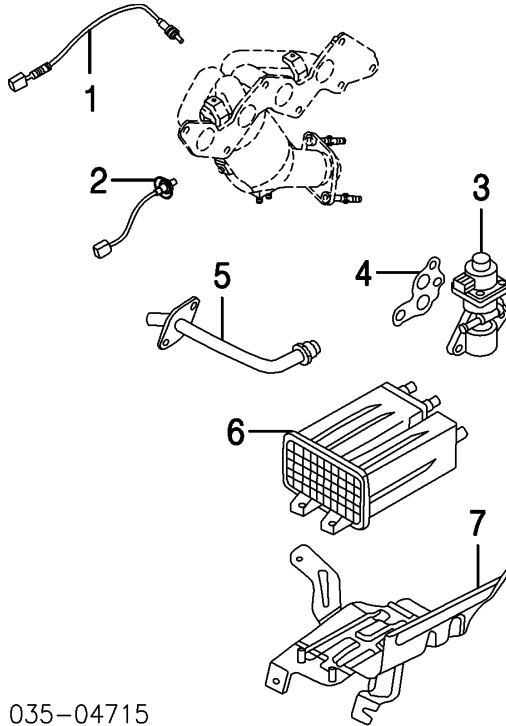
1	Manifold/Converter Assy			
	2006-08	2.0	LFYJ-20-50X	\$506.93
	2009-10			
	Man Trans	2.0	LFYJ-20-50XB	\$506.93
	Auto Trans	2.0	LFZJ-20-50X	\$857.14
2	Gskt, Flange¶		L3A1-40-581	\$23.15
	¶Included w/Manifold/Converter Assy			
3	Brkt, Mounting	06-08	LF45-40-071	\$27.62
		09-10	LF45-40-071A	\$31.13
4	Shield, Heat		LF45-13-390D	\$86.87
5	Gskt, Manifold		L327-13-460A	\$22.59
6	Sensor, Oxygen-See Emission System Section			
7	Sensor, Air Fuel Ratio-See Emission System Section			
8	Pipe, Converter/Exhaust	1.3	LFYH-20-55XB	\$666.73
9	Hanger, Pipe		LF46-40-061	\$12.19
10	Bracket, Pipe		LF45-40-380	\$12.22
11	Muffler			

2008 Mazda MX-5 Miata Touring Convertible

Man Trans	06-0	.7 LF45-40-100K	\$578.10
	09-1	.7 LFM7-40-100	\$634.14
Auto Trans	06-0	.7 LF46-40-100K	\$578.10
	09-1	.7 LFM6-40-100	\$578.62
12 Gskt, Muffler		LF45-40-305	\$11.01
Hanger, Muffler			
13 No. 1	R	N3H2-40-061A	\$11.81
	L	N3H2-40-061A	\$11.81
14 No. 2	R	LF46-40-061	\$12.19
	L	LF46-40-061	\$12.19

2008 Mazda MX-5 Miata Touring Convertible

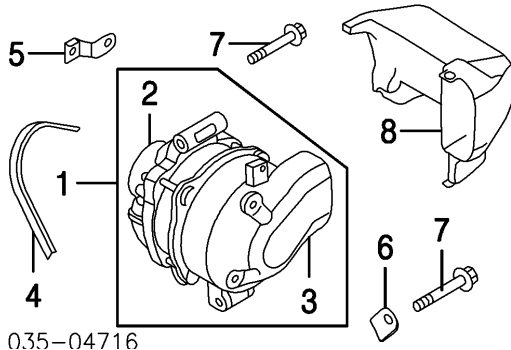
EMISSION SYSTEM



035-04715

1	Sensor, Oxygen	.5	LFG2-18-861A-9U	\$210.07
2	Sensor, Air Fuel Ratio	.5	LFG1-18-8G1A	\$202.77
3	Valve, EGR	#.8	LFE2-20-300A	\$257.41
4	Gskt, EGR Valve	#.8	LF01-20-305	\$8.97
5	Tube, EGR	#.8	LFE2-20-310B	\$52.97
	#R&R Complete			
6	Canister, Vapor	#.4	L3P5-13-970	\$166.97
	#w/Rear Suspension/Sub-Frame Assy Removed			
7	Bracket, Canister		NE51-42-59YB	\$52.97

ELECTRICAL
ALTERNATOR



035-04716

1 Alternator Assy

2 Pulley, Alternator¶

3 Cover, Alternator¶

¶Included w/Alternator Assy

4 Belt, Drive-See Cooling Section

5 Bracket, Front Mtg

6 Bracket, Rear Mtg

7 Bolt, Mounting (3)

8 Duct, Alt Cooling

06-0 .9 L3P9-18-300R-0C \$361.74

09-1 .9 LF9H-18-300A \$457.60

06-0 1.1 L813-18-W11 \$95.56

09-1 1.1 AJ51-18-W10 \$101.12

L3P9-18-W9X \$28.88

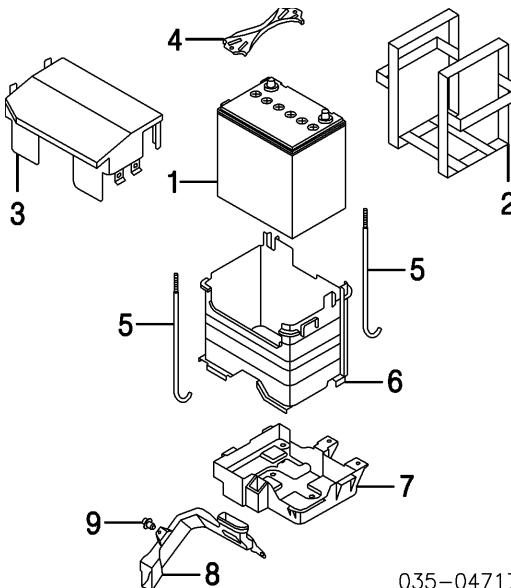
LFG1-18-370A \$4.36

LFG1-18-99XA \$7.74

9YA0-21-094 \$2.97

L3P9-18-325C \$19.50

BATTERY



035-04717

1 Battery

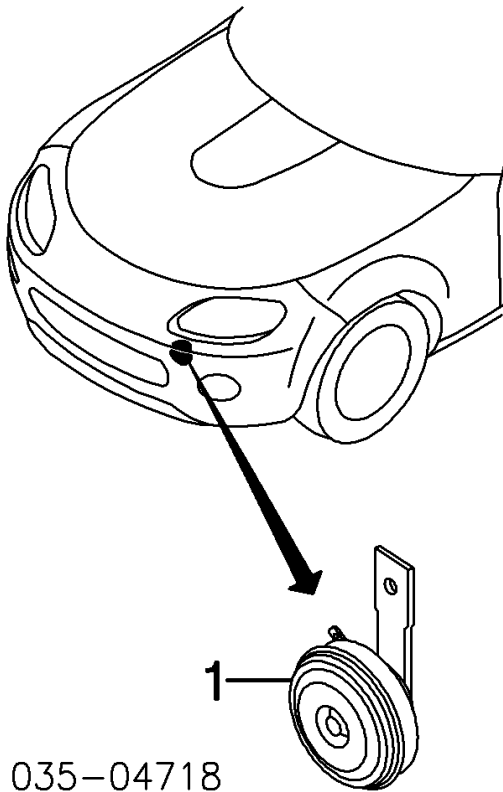
.2 N.A.

2008 Mazda MX-5 Miata Touring Convertible

2 Strap, Battery	FE50-18-522	\$23.55
3 Cover, Battery	.1 LFG1-18-593B	\$40.60
4 Hold-Down, Battery	NE51-56-031D	\$9.96
5 Bolt, Hold-Down (2)	GA5R-56-034A	\$7.47
6 Box, Battery	LFG1-18-591D	\$52.46
7 Tray, Battery	#.4 NE51-56-041B	\$44.16
#Includes R&R Battery		
8 Duct, Battery	.2 LFG1-18-596C	\$15.68
9 Clip, Duct (2)	GJ21-28-803	\$2.34

Harness, Engine-See Front Inner Structure Section

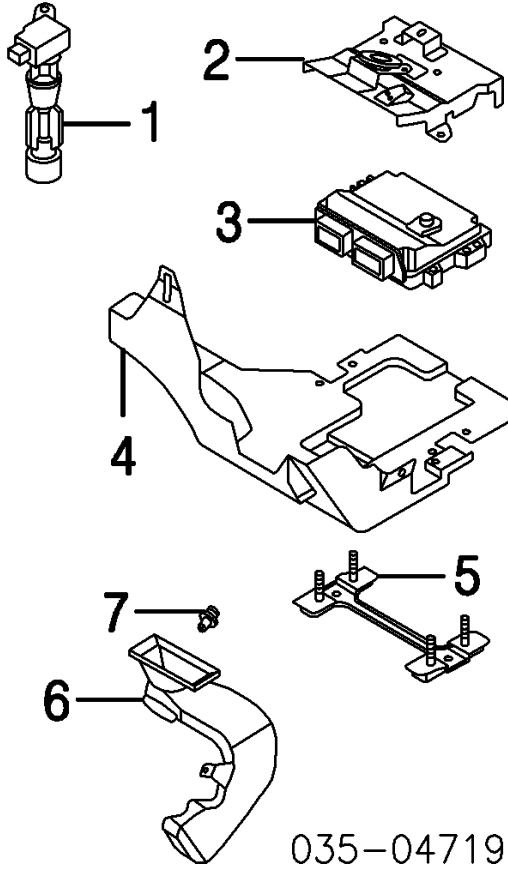
HORN



1 Horn Kit	.3 NE51-66-790A	\$34.33
------------	-----------------	---------

IGNITION

2008 Mazda MX-5 Miata Touring Convertible



R&R Ignition Coils Complete

1 Coil, Ignition (4)		.6		
		.3	L3G2-18-100B-9U	\$97.74
2 Bracket Assy, Mounting-See Air Cleaner Section				
3 Module, Powertrain Control				
Man Trans				
5 Speed				
w/Calif Emission	06-0	.7	LFN5-18-881N	\$980.33
	09	.7	LFAB-18-881B	\$662.04
	10	.7	LFDN-18-881A	
w/o Calif Emission	06-0	.7	LFG3-18-881L	\$980.14
	09	.7	LF9W-18-881B	\$662.04
	10	.7	LFDK-18-881A	
6 Speed				
w/Calif Emission	06-0	.7	LSYA-18-881	\$1,621.64
	09	.7	LFAA-18-881B	\$662.04
	10	.7	LFDM-18-881A	
w/o Calif Emission	06-0	.7	LFG2-18-881P	\$711.01

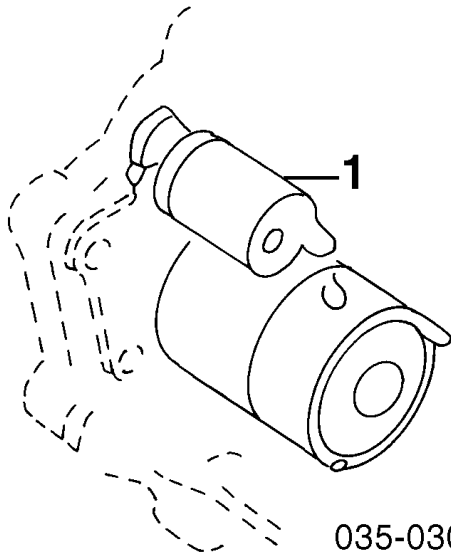
2008 Mazda MX-5 Miata Touring Convertible

	09	.7 LF9V-18-881B	\$662.04
	10	.7 LFDJ-18-881A	
Auto Trans			
w/Calif Emission	06-0	.7 LFN3-18-881L	
	09	.7 LFAC-18-881B	\$711.68
	10	.7 LFDP-18-881A	
w/o Calif Emission	06-0	.7 LFG1-18-881N	\$978.28
	09	.7 LF9X-18-881B	\$711.68
	10	.7 LFDL-18-881A	

4 Shield, Heat-See Air Cleaner Section

5 Bracket, Module		LFG1-18-885	\$33.07
6 Duct, Cooling		LFG1-18-781	\$25.51
7 Clip, Duct (2)		GJ21-28-803	\$2.34

STARTER

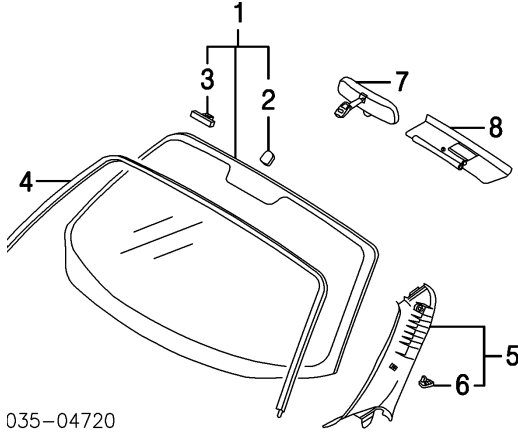


1 Starter	06-0	.9 LFG1-18-400R-00	\$184.99
	09-1	.9 LF9H-18-400	\$312.23

2008 Mazda MX-5 Miata Touring Convertible

WINDSHIELD

Procedure 13



035-04720

R&I Windshield Glass

#3.2

#Includes R&I/R&R Cowl Grille, Clean Up Old Adhesive as Necessary

1 Glass Assy, Windshield

Mazda

2006-08

#2.8

NE51-63-900B

\$453.71

2009-10

Auto Day/Night Mirror

#2.8

NH19-63-900

\$453.71

Manual Mirror

#2.8

NH18-63-900

\$450.95

NAGS

Green Tint

w/Attachment

#2.8

FW02594GTY

w/o Attachment

#2.8

FW02594GTN

\$234.70

Green Tint/Blue Shade

#2.8

FW02594GBN

#Includes R&I/R&R Cowl Grille, Clean Up Old Adhesive as Necessary

2 Base, Mirror¶

06-08

BC1C-69-240

\$29.22

09-10

N.A.

3 Pin, Glass¶

R

C235-63-938

\$4.20

L

C235-63-938

\$4.20

¶Included w/Windshield Glass Assy

Adhesive, Windshield

N.A.

4 Moulding, Windshield

.4

NE51-50-601A

\$30.70

5 Trim Assy, Windshield Pillar

R

.2

NE51-68-160F-02

\$35.92

L

.2

NE51-68-170F-02

\$35.92

6 Clip, Trim (a)

Type 1

R

LA10-68-D21

\$2.51

L

LA10-68-D21

\$2.51

Type 2

R

GJ12-68-865

\$1.24

2008 Mazda MX-5 Miata Touring Convertible

L GJ12-68-865 \$1.24

(a) Included w/Windshield Pillar Trim Assy

7 Mirror, Rear View

2006-08 .3 HG82-69-220B \$101.49

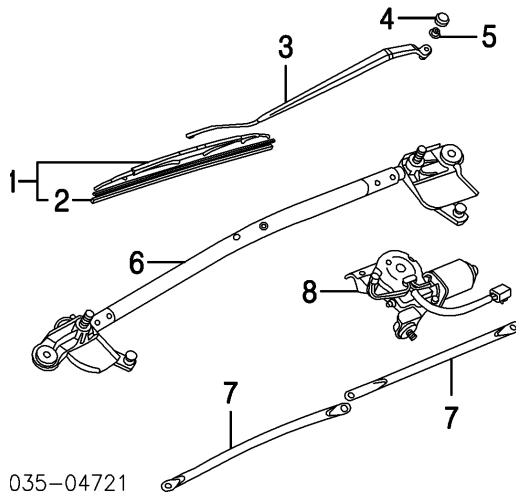
2009-10

Auto Day/Night Mirror .3 GS3R-69-220 \$199.70

Manual Mirror .3 B37F-59-220C

8 Visor, Sun-See Rocker/Pillars/Floor Section

WIPER SYSTEM



035-04721

1 Blade Assy, Wiper R .1 NE52-67-330B \$15.72

L .1 NE51-67-330B \$13.44

2 Refill, Wiper¶ R .1 NE51-67-333B \$8.16

L .1 NE51-67-333B \$8.16

¶Included w/Wiper Blade Assy

3 Arm, Wiper R #.2 NE52-67-321A \$45.10

L #.2 NE51-67-321 \$47.08

#Includes R&R Wiper Blade Assy or Wiper Refill

4 Cap, Wiper Arm R D350-67-395 \$2.97

L D350-67-395 \$2.97

5 Nut, Wiper Arm R 9YB1-21-001 \$3.94

L 9YB1-21-001 \$3.94

6 Link, Wiper

w/Cold Climate Spec 06-0 #.8 NE52-67-360B

09-1 #.8 NH19-67-360

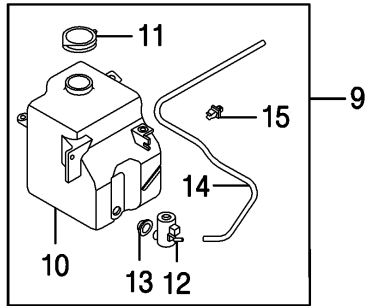
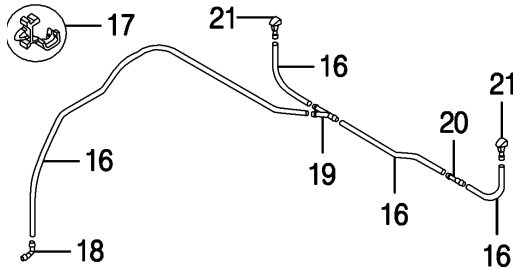
w/o Cold Climate Spec 06-0 #.8 NE51-67-360C \$77.43

2008 Mazda MX-5 Miata Touring Convertible

	09-1 #.8	NH52-67-360	\$82.12
7 Arm, Link	R #.8	NE51-67-362	\$13.62
	L #.8	NE51-67-361	\$13.62

#R&R Complete, Includes R&I/R&R Cowl Grille

8 Motor, Wiper	.6	NE51-67-340B	\$128.66
----------------	----	--------------	----------



035-04722

9 Tank Assy, Washer			
Std Capacity	.6	NE51-67-480B	\$92.36
Large Capacity	.6	NE52-67-480C	
10 Tank, Washer (a)			
Std Capacity	.5	NE51-67-481A	\$45.97
Large Capacity	06-0	.5 NE52-67-481	
	09-1	.5 NE52-67-481A	
11 Cap, Tank (a)		D350-67-483	\$2.16
12 Pump, Washer (a)	.7	NE51-67-482	\$34.05
13 Grommet, Pump (a)		S05B-76-677	\$1.52
14 Hose, Tank (a)			
Std Capacity		NE51-67-501B	\$4.06
Large Capacity		NE52-67-501B	
15 Clip, Hose (a)		NE51-67-519	\$2.16
(a) Included w/Washer Tank Assy			
16 Hose, Washer (b)		N.A.	
(b) Cut to Fit			
17 Clip, Washer Hose (2)		B367-18-867	\$2.63
Connector, Hose			
18 Elbow		DD14-67-502	\$1.25

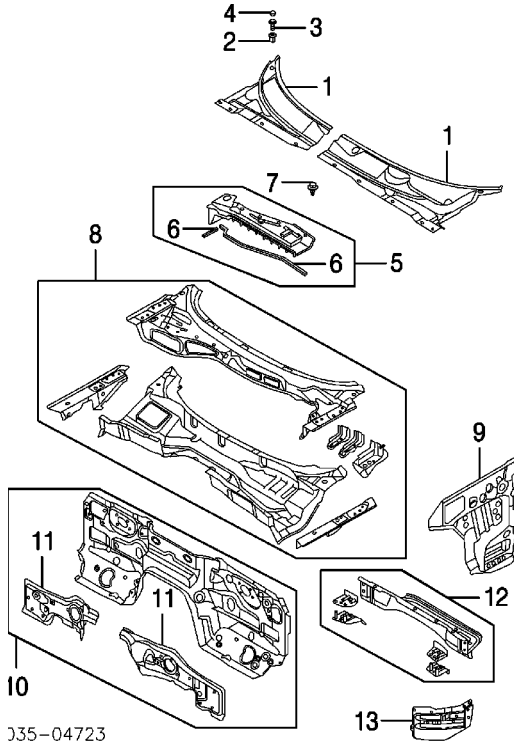
2008 Mazda MX-5 Miata Touring Convertible

19 Tee		NE51-67-502	\$4.95
20 Straight		S09A-67-502	\$0.89
21 Nozzle, Washer	R	.2 NE51-67-510	\$7.25
	L	.2 NE51-67-510	\$7.25

2008 Mazda MX-5 Miata Touring Convertible

COWL & DASH

Procedures 14 and 28



035-04723

Refinish Cowl Top Panel

1.0

Refinish Upper Dash Panel

.8

Refinish Lower Dash Panel

1.0

R&I Cowl Grille

R #.5

L #.5

#R&R Complete, Includes R&R Wiper Arms

1 Grille, Cowl

R #.5

NE51-50-7R0B

\$62.13

L #.5

NE51-50-7S0D

\$66.15

#R&R Complete, Includes R&R Wiper Arms

Nozzle, Washer-See Windshield Section

2 Grommet, Screw

R

BJ0J-50-798

\$1.55

L

BJ0J-50-798

\$1.55

3 Screw, Mtg

R

9YA6-90-501

\$4.86

L

9YA6-90-501

\$4.86

4 Cap, Screw

R

E016-50-796

\$2.45

L

E016-50-796

\$2.45

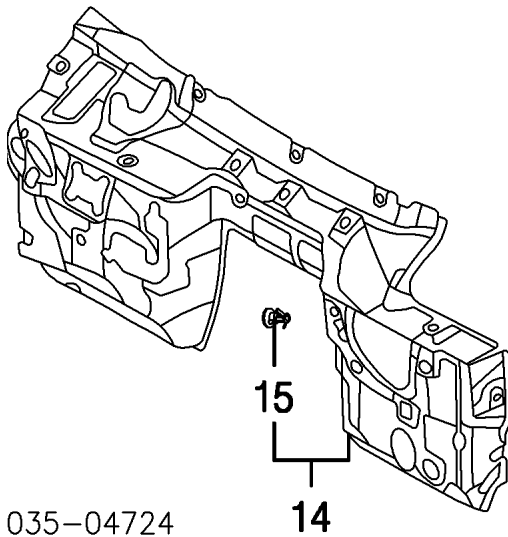
5 Grille Assy, Center Cowl

NE51-50-7P0A

\$43.81

2008 Mazda MX-5 Miata Touring Convertible

6 Gasket, Grille¶	R	NE55-50-795	
	L	NE51-50-795A	\$9.79
¶Included w/Center Cowl Grille Assy			
7 Clip, Ctr Grille (5)		F151-51-833	\$1.82
8 Panel, Cowl	06-08	NE51-53-500H	\$336.48
	09-10	NH52-53-500	\$309.72
9 Reinf, Side Cowl-See Rocker/Pillars/Floor Section			
10 Panel Assy, Dash		NE51-53-400H	\$431.48
11 Crossmember, Dash (a)	R	NE51-53-450B	\$65.49
	L	NE51-54-450A	\$65.49
(a) Included w/Dash Panel Assy			
12 Box, Cowl Panel Air			
16" Wheels		NE51-56-35XA	\$74.39
17" Wheels		NE57-56-35XA	\$63.01
13 Gusset, Cowl Side	R	NE51-56-521B	\$35.76
	L	NE51-56-531B	\$35.76

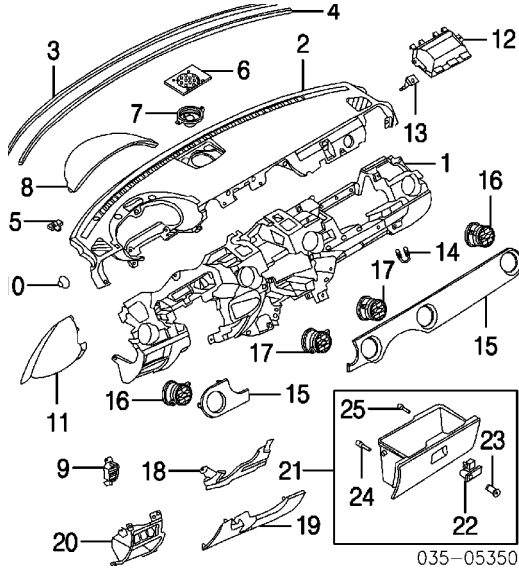


035-04724			
14 Insulator Assy, Dash		NE51-68-63XB	\$220.69
15 Clip, Insulator (2) (b)		B02J-68-625	\$2.52

(b) Included w/Dash Insulator Assy

INSTRUMENT PANEL

Procedure 14



035-05350

R&I Instrument Panel Assy

4.8

NOTE: All Parts in this section are included in R&R Instrument Panel unless noted otherwise.

1 Panel, Lwr Instrument				
Black		#7.4	NE51-60-410B-02	\$142.67
Tan		06-0 #7.4	NE51-60-410B-89	\$142.67
#Includes R&R Upper Instrument Panel				
2 Panel, Upr Instrument		3.6	NE51-60-400E-02	\$356.74
3 Tape, Cushion			NE51-55-161A	\$6.08
4 Tape, Seal			NE51-55-162A	\$6.08
5 Pin, Inst Panel				
Outer	R		NE51-60-393	\$7.06
	L		NE51-60-3A1	\$7.06
Center			NE51-60-392	\$7.06
6 Grille, Speaker		.1	NE51-55-530C-02	\$16.97
7 Speaker, Radio		.4	NE61-66-960	\$99.24
8 Hood, Inst Cluster		.3	NE51-55-420C	\$63.13
9 Grille, Lower Vent				
Black	R	.3	NE51-64-730-02	\$6.32
	L	.3	NE51-64-830-02	\$6.45
Tan	06-0 R	.3	NE51-64-730-89	\$6.32
	L	.3	NE51-64-830-89	\$6.75
10 Cap, Screw (e)	R		FE01-60-397	\$4.46
	L		FE01-60-397	\$4.46
(e) As Required				

2008 Mazda MX-5 Miata Touring Convertible

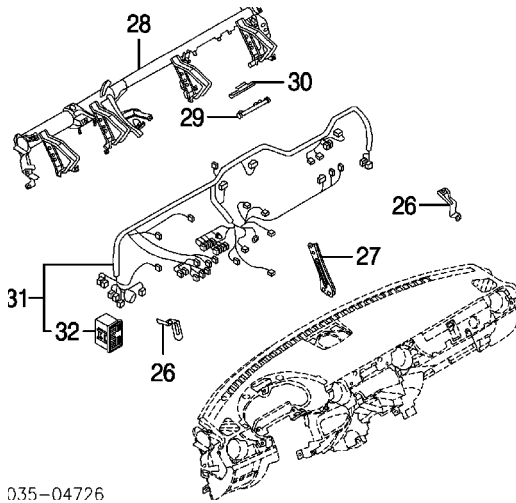
11 Panel, End				
Black		R	.1 NE51-64-950-02	\$11.39
		L	.1 NE51-64-960-02	\$11.39
Tan		06-0 R	.1 NE51-64-950-89	\$11.39
		L	.1 NE51-64-960-89	\$11.39
12 Module, Passenger Air Bag-See Air Bag System Section				
13 Bracket, Module (2)			NE51-60-A11	\$3.24
14 Striker, Glove Box			F151-64-101	\$6.67
15 Panel, Trim				
2006-09				
Black		R	.4 NE51-55-321B	\$115.35
		L	.2 NE51-55-331	\$32.04
Silver		R	.4 NF47-55-321B	\$506.42
		L	.2 NF47-55-331	\$100.94
2010				
Dark Silver		R	.4 NG31-55-321A	\$358.09
		L	.2 NG31-55-331A	
Silver		R	.4 NH52-55-321	\$115.40
		L	.2 NH52-55-331	\$16.58
16 Grille, Outer Vent				
Black		R	.3 NE51-64-930A-02	\$81.09
		L	.3 NE51-64-930A-02	\$81.09
Silver		06-0 R	.3 NF47-64-930A-02	\$160.33
		L	.3 NF47-64-930A-02	\$160.33
17 Grille, Inner Vent				
Black		R	.3 NE55-64-930A-02	\$51.22
		L	.3 NE55-64-930A-02	\$51.22
Silver		06-0 R	.3 NF49-64-930A-02	\$119.35
		L	.3 NF49-64-930A-02	\$119.35
18 Bolster, Knee		L	.4 FE01-60-K90	\$18.48
19 Panel, Lower				
Black		L	.3 NE51-64-280D-02	\$14.57
Tan		L	.3 NE51-64-280C-89	\$14.83
20 Panel, Switch		L	NE51-55-310A	\$16.45
21 Box Assy, Glove				
Black			.4 NE51-64-030D-02	\$176.06
Tan		06-0	.4 NE51-64-030D-89	\$176.06
22 Latch, Glove Box				
Black			.2 NE51-64-090-02	\$18.39
Tan			.2 NE51-64-090-89	\$18.39
23 Cylinder, Lock				
Black			.1 GE4T-64-09YB-00	\$6.17
Tan		06-0	.1 GE4T-64-09YB-89	\$9.79
Bumper, Rubber				

2008 Mazda MX-5 Miata Touring Convertible

24	Side	R	LB82-64-046	\$1.69
		L	LB82-64-046	\$1.69
25	Center		B092-64-046	\$1.01

¶Included w/Glove Box Assy

Brkt, Inst Panel



035-04726

26	Side	R	NE51-60-423	\$8.08
		L	NE52-60-570	\$8.41
27	Center		NE51-60-453	\$10.15
28	Crossmember, Inst Panel	06-0 #1.4	NE51-60-420E	\$325.23
		09-1 #1.4	NE51-60-420F	\$334.50

#w/Instrument Panel Removed, Not Included in R&R Instrument Panel

29	Damper, Glove Box		NE51-64-08XA	\$30.90
30	Bracket, Damper		NE51-60-651B	\$5.38

31 Harness Assy, Instrument Panel (a)

2006-08

w/Keyless Entry

w/Smart Entry System

NF53-67-030G \$941.17

w/o Smart Entry System

NF51-67-030H \$926.70

w/o Keyless Entry

NE64-67-030B \$772.20

2009-10

w/Keyless Entry

w/Smart Entry System

NH22-67-030B

w/o Smart Entry System

NH21-67-030A \$936.15

w/o Keyless Entry

NK62-67-030C \$827.53

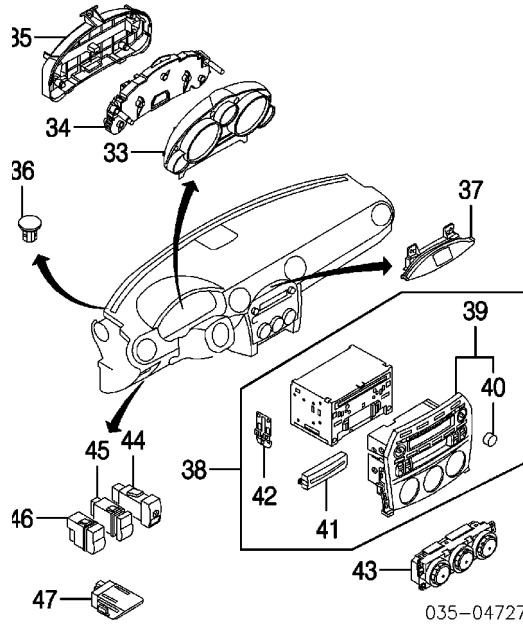
2008 Mazda MX-5 Miata Touring Convertible

(a) Order by Application

#w/Instrument Panel Removed, Not Included in R&R Instrument Panel

32 Block, Fuse (b) F151-66-730 \$6.08

(b) Included w/Instrument Panel Harness Assy



33 Lens, Cluster				
Chrome	#1.2	NF02-55-446		\$243.38
Silver	06-0 #1.2	NE55-55-446		\$184.40
34 Cluster, Instrument				
USA, Man Trans				
2006-09				
w/Tire Pressure Monitor				
w/Smart Entry System	#1.2	NF51-55-471A		\$683.77
w/o Smart Entry System	#1.2	NF49-55-471A		\$683.77
w/o Tire Pressure Monitor				
w/Smart Entry System	#1.2	NF61-55-471B		\$442.26
w/o Smart Entry System				
w/ABS	#1.2	NF53-55-471B		\$609.38
w/o ABS	#1.2	NF47-55-471A		\$711.23
	2010	#1.2	NH24-55-471	\$522.56

2008 Mazda MX-5 Miata Touring Convertible

USA, Auto Trans

2006-09

w/Tire Pressure Monitor

w/Smart Entry System #1.2 NF59-55-471A \$387.33

w/o Smart Entry System #1.2 NF57-55-471A \$512.35

w/o Tire Pressure Monitor

w/Smart Entry System #1.2 NF55-55-471B \$739.96

w/o Smart Entry System #1.2 NE61-55-471B \$435.15

2010 #1.2 NH36-55-471 \$562.66

Canada

2006-08

Man Trans

w/Smart Entry System #1.2 N.A.

w/o Smart Entry System #1.2 N.A.

Auto Trans

w/Smart Entry System #1.2 N.A.

w/o Smart Entry System #1.2 N.A.

2009

Man Trans

To 2-23-09 #1.2 N.A.

From 2-23-09 #1.2 N.A.

Auto Trans

To 2-23-09 #1.2 N.A.

From 2-23-09 #1.2 N.A.

2010

Man Trans #1.2 N.A.

Auto Trans #1.2 N.A.

35 Housing, Cluster 06-0 #1.2 NE55-55-441 \$27.11

09-1 #1.2 NH44-55-441

#R&R Complete

36 Cover, Sun Sensor NE51-61-799A \$3.61

37 Switch, Hazard

w/Retractable Hardtop 07-1 .3 NG20-66-4H0 \$141.01

w/o Retractable Hardtop .3 NE51-66-4H0A \$75.33

38 Radio Assy, AM-FM (a)

4 Speaker System 06-0 .7 NF47-66-9R0A \$792.78

09-1 .7 NJ33-66-9R0A

7 Speaker System 06-0 .7 NE61-66-9R0B \$792.78

09-1 .7 NJ34-66-9RXA

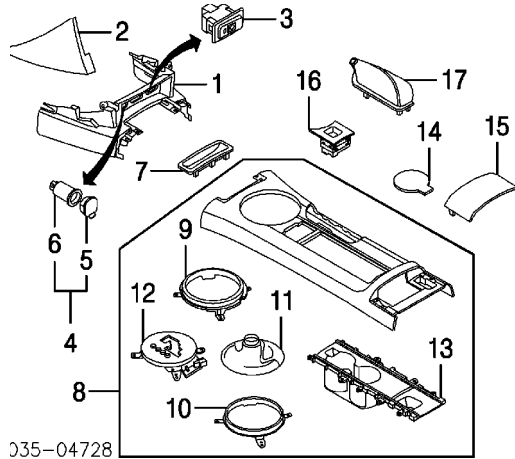
(a) Order by Application

2008 Mazda MX-5 Miata Touring Convertible

39	Finisher Assy, Radio (c)				
	4 Speaker System	06-0	.3	NF49-66-9H0	\$580.38
		09-1	.3	NJ33-66-9H0	
	7 Speaker System	06-0	.3	NF47-66-9H0	\$486.85
		09-1	.3	NJ34-66-9H0	
40	Knob, Volume (c) (d)				
	2006-08				
	4 Speaker System			NE85-66-BC1	\$25.97
	7 Speaker System			NF47-66-BC1	\$12.82
	2009-10			NH52-66-BC1	\$12.82
	(d) Included w/Radio Finisher Assy				
41	Trim, Radio (c)				
	4 Speaker System	06-10		NF47-66-BC0	\$14.26
	7 Speaker System	06-10		NE61-66-BC0	\$37.74
42	Brkt, Radio Mtg (c)	06-0	R	N123-66-9B0A	
			L	NE85-66-9B0	\$4.03
		09-1	R	NH42-66-9B0	\$3.89
			L	NH52-66-9B0	\$3.89
	(c) Included w/AM-FM Radio Assy				
43	Control, A/C /Heater				
	2006-08				
	w/ A/C		.5	NE51-61-190B	\$601.88
	w/o A/C		.5	NE55-61-190A	\$620.46
	2009-10 (a)		.5	NH19-61-190D	\$601.88
	(a) Order by Application				
44	Switch, Air Bag Deactivation		.3	BP4K-66-6H0B	\$98.50
45	Switch, Dynamic Stability Cont		.3	NE55-66-4T0	\$49.72
46	Cover, Switch Hole				
	w/DSC			BP4K-55-225	\$7.32
	w/o DSC, (2)			BP4K-55-225	\$7.32
47	Switch, Luggage Lid Release			GK2A-66-630	\$32.18

CENTER CONSOLE

Procedure 14



R&I Center Console Assy

.8

NOTE: All Parts in this section are included in R&R Center Console Assy unless noted otherwise.

1 Panel, Front Console

2006-08

Heated Seats

Black	#.4	NE75-64-470C-02	\$83.39
Tan	#.4	NE75-64-470C-89	\$82.52

Non-Heated Seats

Black	#.4	NE51-64-470C-02	\$68.47
Tan	#.4	NE51-64-470C-89	\$68.47

2009-10

Heated Seats	#.4	NH53-64-470D	\$33.97
Non-Heated Seats	#.4	NH52-64-470D	\$33.97

#w/Center Console Removed

2 Panel, Side Console

2006-09

Black	R	#.2	NE51-64-230B-02	\$14.79
	L	#.2	NE51-64-240B-02	\$14.79
Tan	R	#.2	NE51-64-230B-89	\$14.79
	L	#.2	NE51-64-240B-89	\$14.51

2010	R	#.2	NH52-64-230B	\$14.90
	L	#.2	NH52-64-240B	\$24.32

3 Switch, Seat Heater

2006-09

Black	R	#.2	NE76-66-420-02	\$46.36
	L	#.2	NE75-66-420-02	\$46.36
Tan	R	#.2	NE76-66-420-89	\$46.36

2008 Mazda MX-5 Miata Touring Convertible

		L	#.2	NE75-66-420-89	\$46.36
	2010	R	#.2	NH42-66-420	\$48.61
		L	#.2	NH43-66-420	\$48.61
4	Socket Assy, Power				
	2006-09		#.2	CC29-66-290	\$51.92
	2010		#.2	CD84-66-290B-02	\$19.75
	#Included in R&R Front Console Panel				
5	Cover, Socket¶			CC29-66-295	\$25.32
6	Socket, Power¶			EC03-66-297	\$12.00
	¶Included w/Power Socket Assy				
7	Cover, Hole				
	w/Omament			NE52-55-22Y-02	\$229.07
	w/o Omament				
	Black			NE51-55-22YA-02	\$29.86
	Tan			NE51-55-22YA-89	\$29.86
8	Console Assy, Center				
	Man Trans				
					2006
	Black		1.0	NE51-64-420F-02	\$322.40
	Tan		1.0	NE51-64-420F-89	\$322.40
	2007-08				
	To 12-26-06				
	Black		1.0	NE51-64-420F-02	\$322.40
	Tan		1.0	NE51-64-420F-89	\$322.40
	From 12-26-06				
	Black		1.0	NE51-64-420E-02	
	Tan		1.0	NE51-64-420E-89	
	2009-10				
	Leather		1.0	NH54-64-420D-02	\$512.85
	Leatherette		1.0	NH52-64-420C-02	\$511.53
	Auto Trans				
	2006-08				
	Black		1.0	NE61-64-420D-02	\$511.73
	Tan		1.0	NE61-64-420D-89	\$511.73
	2009-10				
	Leather		1.0	NH64-64-420D-02	\$513.56
	Leatherette		1.0	NH62-64-420C-02	\$511.52
	Plate, Shift Control (a)				
9	Upper				
	2006-08		.2	NE51-64-334A	
	2009-10				
	Type 1		.2	NH52-64-333	\$28.16
	Type 2		.2	NH52-64-334	\$7.21

2008 Mazda MX-5 Miata Touring Convertible

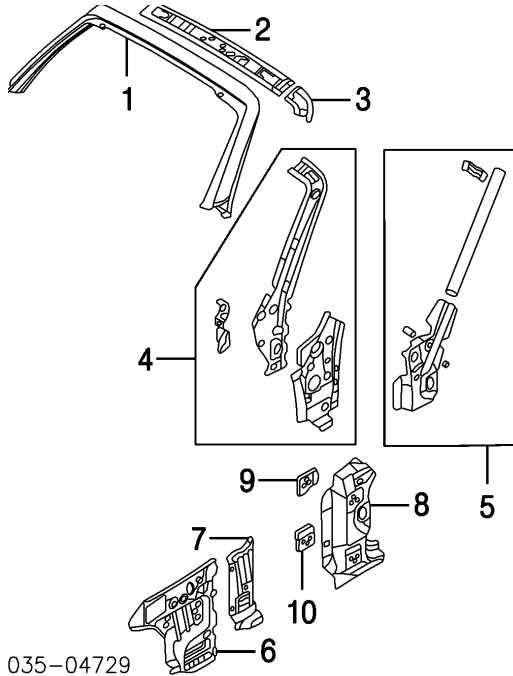
10	Lower				
	2006-08				
	Man Trans		.2	NE51-64-334	\$7.35
	2009-10				
	Man Trans				
	Type 1		.2	NH52-64-333	\$28.16
	Type 2		.2	NH52-64-334	\$7.21
	Auto Trans		.2	NH62-64-333	\$31.04
11	Boot, Shift (a)				
	Man Trans				
		2006	.2	NE51-64-331A	\$41.24
		2007			
	To 12-26-06		.2	NE51-64-331A	\$41.24
	From 12-26-06		.2	NE51-64-331B-02	\$44.08
	2008-10		.2	NE51-64-331B-02	\$44.08
12	Indicator, Shift (a)				
	Auto Trans			NE61-64-350A	\$96.67
13	Holder, Cup (a)				
	2006-08				
	Black			NE51-64-39XA-02	\$117.33
	Tan			NE51-64-39XA-89	\$117.33
	2009-10			NH52-64-360A-02	\$43.15
	(a) Included w/Center Console Assy				
14	Mat, Cup Holder			NE51-64-393	\$6.32
15	Cover, Rear Console				
	Black			NE51-55-720B-02	\$18.09
	Tan			NE51-55-720B-89	\$18.09
16	Switch, Power Window				
	w/Retractable Hardtop				
	w/Keyless Entry				
	Black	07-0	.2	NG21-66-350A-02	\$196.92
	Tan	07-0	.2	NG21-66-350A-89	\$196.92
	w/o Keyless Entry				
	Black	07-0	.2	NG20-66-350A-02	\$242.39
	Tan	07-0	.2	NG20-66-350A-89	
	w/o Retractable Hardtop				
	Black		.2	NE51-66-350-02	\$115.24
	Tan	07-0	.2	NE51-66-350-89	\$115.24
17	Boot, Hand Brake		.3	NE51-64-43YA	\$71.94

2008 Mazda MX-5 Miata Touring Convertible

ROCKER/PILLARS/FLOOR

Procedures 14, 15 and 28

SHEET METAL



035-04729

Refinish Header Panel

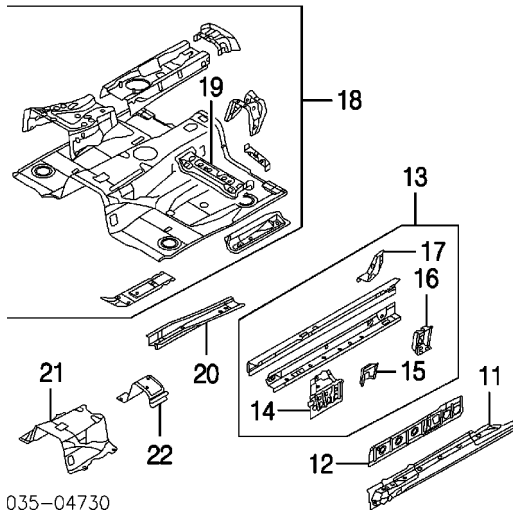
Refinish Hinge Pillar

Refinish Rocker Panel

			2.0		
	R		1.0		
	L		1.0		
	R		2.0		
	L		2.0		
1 Panel, Header		#4.0	NEY1-70-640		\$235.06
#w/Fender, Door, Windshield & Instrument Panel Removed					
2 Reinf, Center Header		1.2	NE51-70-64YB		\$37.01
3 Reinf, Side Header	R	.5	NE51-70-642B		\$27.65
	L	.5	NE51-71-642B		\$27.65
4 Pillar, Inner	R	3.5	NE51-70-240A		\$107.72
	L	3.5	NE51-71-240A		\$116.82
5 Reinf, Pillar	06-0 R	2.5	NE51-70-24ZB		\$153.30
	L	2.5	NE51-71-24ZB		\$153.10
	09-1 R	2.5	NE51-70-24ZC		\$153.30
	L	2.5	NE51-71-24ZC		\$153.10
6 Reinf, Side Cowl	R	2.0	NE51-70-651B		\$79.40
	L	2.0	NE51-71-651B		\$81.86
7 Panel, Side Cowl	R	1.0	NE51-70-020		\$75.89
	L	1.0	NE51-71-020		\$75.89

2008 Mazda MX-5 Miata Touring Convertible

8 Pillar, Hinge	06-0 R	5.5	NE51-70-2B0B	\$73.98
	L	5.5	NE51-71-2B0A	\$73.98
9 Reinf, Upper Hinge	09-1 R	5.5	NE51-70-2B0C	\$74.67
	L	5.5	NE51-71-2B0B	\$74.67
10 Plate, Nut	R	.5	NE51-70-280	\$13.04
	L	.5	NE51-71-280	\$13.04
10 Plate, Nut	R		NE51-70-28X	\$12.58
	L		NE51-71-28X	\$12.58



035-04730

11 Panel, Outer Rocker	R	#6.3	NE51-70-27YC	\$217.19
	L	#6.3	NE51-71-27YC	\$235.69

#w/Fender & Door Removed

12 Reinf, Rocker Panel	R	2.5	NE51-70-27ZA	\$51.60
	L	2.5	NE51-71-27ZA	\$51.60
13 Panel Assy, Inner Rocker	R	3.0	NE51-53-950A	\$318.16
	L	3.0	NE51-54-950A	\$318.16
14 Panel, Rocker Reinf¶	R	1.5	NE51-53-953	\$37.01
	L	1.5	NE51-54-953	\$37.01
15 Reinf, Inner (2/Side)¶	R		NE51-53-958	\$12.49
	L		NE51-53-958	\$12.49
16 Plate, Anchor¶	R		NE51-53-97Y	\$29.53
	L		NE51-54-97Y	\$29.53
17 Panel, Inner Sill¶	R		NE51-53-952	\$28.72
	L		NE51-54-952	\$28.72

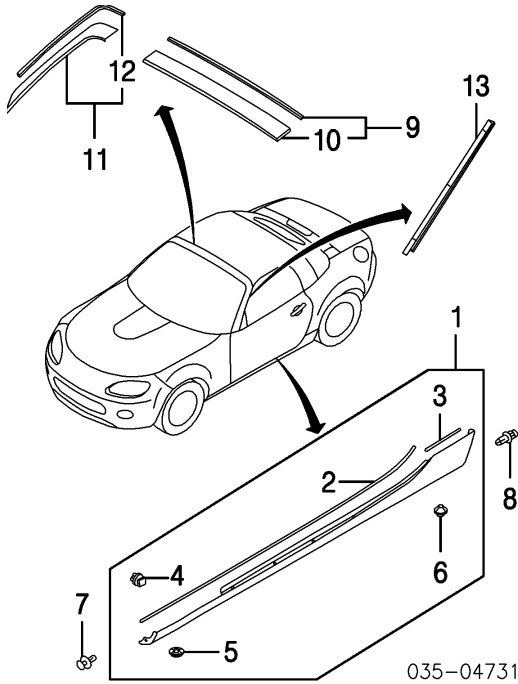
¶Included w/Inner Rocker Panel Assy

18 Pan Assy, Front Floor	2006-08		NE51-53-600M	\$982.86
	2009-10			
	w/Retractable Hardtop		NH43-53-600	\$1,038.81

2008 Mazda MX-5 Miata Touring Convertible

			NE51-53-600N	\$986.94
w/o Retractable Hardtop				
19 Crossmember, Seat (a)	R	2.5	NE51-53-650A	\$51.47
	L	2.5	NE51-54-650A	\$51.98
(a) Included w/Front Floor Pan Assy				
20 Rail, Front Frame	R	3.0	NE51-53-661C	\$54.25
	L	3.0	NE51-53-661C	\$54.25
21 Shield, Front Heat			NE51-56-442D	\$161.30
22 Shield, Rear Heat			NE51-56-454A	\$82.89

EXTERIOR TRIM



Refinish Rocker Moulding	R	1.4		
	L	1.4		
R&I Rocker Moulding	R	.5		
	L	.5		
1 Moulding Assy, Rocker				
Aluminum Metallic, (Code 38P)	09-1 R	.5	NH52-51-P40C-50	\$515.89
	L	.5	NH52-51-P50C-50	\$515.89
Blue, (Code 33Y)	06-0 R	.5	NE51-51-P40D-19	\$469.22
	L	.5	NE51-51-P50D-19	\$513.83
Brilliant Black, (Code A3F)	06-0 R	.5	NE51-51-P40D-PZ	\$515.89
	L	.5	NE51-51-P50D-PZ	\$515.89
	09-1 R	.5	NH52-51-P40C-PZ	\$515.89
	L	.5	NH52-51-P50C-PZ	\$515.89
Copper Red, (Code 32V)	06-0 R	.5	NE51-51-P40D-74	\$515.89

2008 Mazda MX-5 Miata Touring Convertible

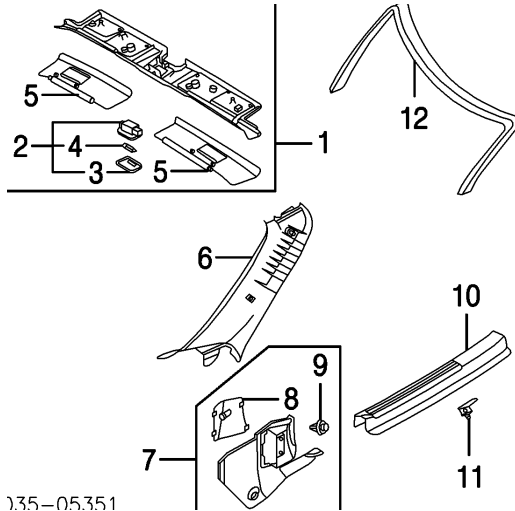
		L	.5	NE51-51-P50D-74	\$515.89
	09-1	R	.5	NH52-51-P40C-74	\$515.89
		L	.5	NH52-51-P50C-74	\$515.89
Crystal White, (Code 34K)	10	R	.5	NH52-51-P40C-85	\$542.55
		L	.5	NH52-51-P50C-85	\$542.55
Galaxy Gray, (Code 32S)	06-0	R	.5	NE51-51-P40D-91	\$515.89
		L	.5	NE51-51-P50D-91	\$515.89
Highland Green, (Code 35K)	06-0	R	.5	NE51-51-P40D-77	\$508.54
		L	.5	NE51-51-P50D-77	\$508.54
Marble White, (Code A5M)	06-0	R	.5	NE51-51-P40D-71	\$525.54
		L	.5	NE51-51-P50D-71	\$515.89
	09-1	R	.5	NH52-51-P40C-71	\$515.89
		L	.5	NH52-51-P50C-71	\$515.89
Metropolitan Gray, (Code 36C)	09-1	R	.5	NH52-51-P40C-86	\$515.89
		L	.5	NH52-51-P50C-86	\$515.89
Nordic Green, (Code 27C)	06-0	R	.5	NE51-51-P40D-97	\$515.89
		L	.5	NE51-51-P50D-97	\$515.89
Stormy Blue, (Code 35J)	06-0	R	.5	NE51-51-P40D-12	\$513.83
		L	.5	NE51-51-P50D-12	\$513.83
	09-1	R	.5	NH52-51-P40C-12	\$515.89
		L	.5	NH52-51-P50C-12	\$515.89
Sunflower Yellow, (Code 38P)	09-1	R	.5	NH52-51-P40C-63	\$515.89
		L	.5	NH52-51-P50C-63	\$515.89
Sunlight Silver, (Code 22V)	06-0	R	.5	NE51-51-P40D-67	\$515.89
		L	.5	NE51-51-P50D-67	\$515.89
True Red, (Code A4A)	06-0	R	.5	NE51-51-P40D-11	\$515.89
		L	.5	NE51-51-P50D-11	\$515.89
	09-1	R	.5	NH52-51-P40C-11	\$515.89
		L	.5	NH52-51-P50C-11	\$515.89
Velocity Red, (Code 27A)	06-0	R	.5	NE51-51-P40D-87	\$515.89
		L	.5	NE51-51-P50D-87	\$515.89
Winning Blue, (Code 27B)	06-0	R	.5	NE51-51-P40D-94	\$513.83
		L	.5	NE51-51-P50D-94	\$513.83
Protector, Rocker Mldg¶¶					
2	Front	06-0	R	NE51-51-RE2	\$6.45
			L	NE51-51-RE2	\$6.45
		09-1	R	NH52-51-RC2	\$8.84
			L	NH52-51-RC2	\$8.84
3	Rear	06-0	R	NE51-51-RC2A	\$9.07
			L	NE51-51-RC2A	\$9.07
		09-1	R	NH52-51-RE2	\$5.01
			L	NH52-51-RE2	\$5.01

2008 Mazda MX-5 Miata Touring Convertible

4	Clip, Moulding¶				
	Type 1, (4/Side)	R		G18K-51-SJ3	\$3.15
		L		G18K-51-SJ3	\$3.15
	Type 2, (7/Side)	R		NE51-51-SJ3A	\$6.97
		L		NE51-51-SJ3A	\$6.97
	Retainer, Mldg¶				
5	Front	R		NE55-51-SJ3A	\$6.97
		L		NE55-51-SJ3A	\$6.97
6	Rear	R		NE56-51-SJ3A	\$6.97
		L		NE56-51-SJ3A	\$6.97
	¶Included w/Rocker Moulding Assy				
7	Clip, Liner-See Front Fender Section				
8	Clip, Rear Mldg	R		S51S-51-833	\$2.05
		L		S51S-51-833	\$2.05
				NE51-50-8X0D	
9	Moulding Assy, Upper Gamish (Adhesive)		06-0 #.3		\$609.54
10	Protector, Upper Mldg (a)		06-08	NE51-51-T17B	\$43.81
	(a) Included w/Upper Gamish Moulding Assy				
11	Moulding Assy, Side Gamish (Adhesive)	06-0 R	#.3	NE51-50-8B0D	\$464.31
		L	#.3	NE51-50-8C0D	\$470.68
	#Includes R&R Drip Moulding				
12	Protector, Side Moulding (b)	06-0 R		NE51-51-T18B	\$29.27
		L		NE51-51-T18B	\$29.27
	(b) Included w/Side Gamish Moulding Assy				
13	Moulding, Drip	R	.2	NE51-50-510E	\$96.58
		L	.2	NE51-50-530E	\$96.58

INTERIOR TRIM

2008 Mazda MX-5 Miata Touring Convertible



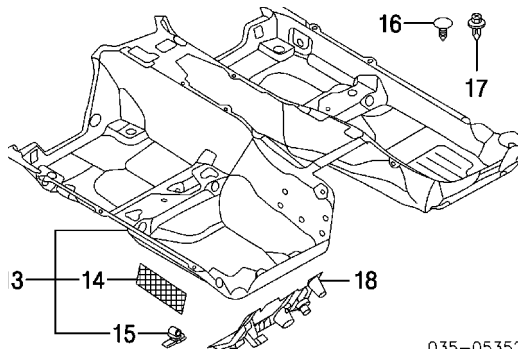
135-05.351				
1	Trim Assy, Header Panel¶	#.5	NE51-68-09ZM-02	\$244.96
	¶Order by Application			
#Includes R&R Sun Visors & Lamp, Included in R&I/R&R Windshield				
2	Lamp Assy, Dome (a)	#.2	NE51-51-310B	\$27.36
3	Lens, Lamp (a) (b)	#.2	NE51-51-311	\$12.87
4	Bulb, Lamp (a) (b)	#.2	9970-05-100L	\$4.84
	(b) Included w/Dome Lamp Assy			
	#R&R Complete			
5	Visor, Sun (a)-Serviced w/Header Panel Trim Assy			
	(a) Included w/Header Panel Trim Assy			
6	Trim Assy, Windshield Pillar-See Windshield Section			
7	Panel Assy, Cowl Trim	06-0 R	.3 NE51-68-370C-02	\$19.52
		L	.3 NE51-68-390E-02	\$27.22
		09-1 R	.3 NE51-68-370C-02	\$19.52
		L	.3 NE51-68-390E-02	\$27.22
8	Cover, Access (c)	L	.3 NE51-68-381-02	\$6.67
9	Clip, Trim Panel			
	Type 1 (c) (d)	R	GJ6A-68-AB1	\$0.68
		L	GJ6A-68-AB1	\$0.68
	Type 2	R	B467-68-AC3-02	\$1.65
		L	B467-68-AC3-02	\$1.65

2008 Mazda MX-5 Miata Touring Convertible

(c) Included w/Cowl Trim Panel Assy

(d) As Required

10 Plate, Scuff				
Plastic	R	.2	NE51-68-710C-02	\$32.33
	L	.2	NE51-68-720C-02	\$32.33
Stainless Steel	R	.2	NE85-68-710E-02	\$238.72
	L	.2	NE85-68-720E-02	\$238.72
11 Protector, Harness (2/Side)	R		NE51-68-6R1C	\$7.48
	L		NE51-68-6R1C	\$7.48
12 W/Strip, Header		.4	NE51-R1-711M	\$253.91



13 Mat Assy, Floor				
w/Storage Net			NE55-68-670G-02	\$458.43
w/o Storage Net			NE51-68-670F-02	\$382.27
14 Net, Storage (e)	R		NE55-69-561	\$80.82
15 Hook, Net (5) (e)	R		NE55-68-685A	\$4.98

(e) Included w/Floor Mat Assy

Clip, Mat

16 Type 1, (11)			G032-68-865A-00	\$1.20
17 Type 2, (2)			H380-68-885	\$1.78
18 Support, Foot	R	.3	NE51-69-690D	\$62.84
Harness, Main Wiring¶				
No. 1			NE55-67-05YK	
No. 2			NE61-67-050G	\$1,177.10
No. 3			NE51-67-060H	\$306.80

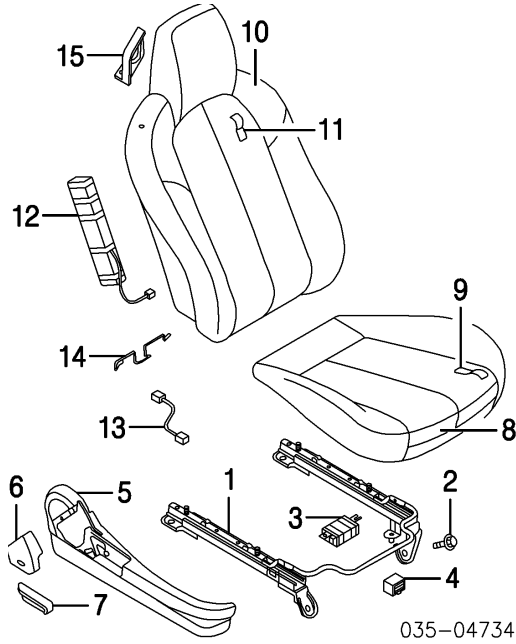
¶Order by Application

Harness, Lamp-Serviced w/Main Wiring Harness

2008 Mazda MX-5 Miata Touring Convertible

FRONT SEAT

PASSENGER SIDE



R&I Front Seat Assy	.3		
Seat Assy, Passenger (a)			
Cloth	.3	NH18-57-100A-02	\$3,441.24
Leather	.3	NH25-57-100B-02	\$5,720.89
(a) Order by Application			
1 Adjuster, Seat Track¶	#.3	NE51-88-A00	\$921.32
#w/Seat Assy Removed			
2 Bolt, Adjuster Mtg (4)¶		9YA0-21-079	\$2.34
3 Sensor, Occupant Detector-See Air Bag System Section			
4 Clip, Cable¶		NE51-88-055	\$7.48
5 Cover, Side Seat¶	.2	NE55-88-1G1B-02	\$38.50
6 Cover, Anchor¶		NE51-57-046B-02	\$12.00
7 Handle, Recliner¶	.1	NE51-88-1G5-02	\$7.06
8 Trim, Seat Cushion¶			
Cloth	#.7	NE51-88-111B-02	\$112.28
Leather			
Black	#.7	NF47-88-111A-02	\$394.87
Red	#.7	NF47-88-111A-19	\$414.47
Tan	#.7	NF47-88-111A-89	\$394.87
9 Pad, Seat Cushion¶	#.7	NF47-88-11XB	\$231.28

#R&R Complete, w/Seat Assy Removed

2008 Mazda MX-5 Miata Touring Convertible

10 Trim, Seat Back (a)¶

	2006			
w/Seat Air Bag				
To 2-1-06				
Cloth	#.8	NE55-88-131A-02	\$217.49	
Leather				
Black	#.8	NF47-88-131A-02	\$985.30	
Red/Black	#.8	NF47-88-131-19	\$973.93	
Tan	#.8	NF47-88-131A-89	\$985.30	
From 2-1-06				
Cloth	#.8	NE55-88-131A-02	\$217.49	
Leather				
Black	#.8	NF47-88-131A-02	\$985.30	
Red/Black	#.8	NF47-88-131A-19		
Tan	#.8	NF47-88-131A-89	\$985.30	
w/o Seat Air Bag				
To 2-1-06				
Cloth	#.8	NE51-88-131A-02		
Leather				
Black	#.8	NF53-88-131-02		
Red	#.8	NF53-88-131-19		
Tan	#.8	NF53-88-131-89		
From 2-1-06				
Cloth	#.8	NE51-88-131A-02		
Leather				
Black	#.8	NF53-88-131A-02		
Red	#.8	NF53-88-131A-19		
Tan	#.8	NF53-88-131A-89		
	2007			
w/Seat Air Bag				
Cloth	#.8	NE55-88-131A-02	\$217.49	
Leather				
Black	#.8	NF47-88-131A-02	\$985.30	
Red/Black	#.8	NF47-88-131A-19		
Tan	#.8	NF47-88-131A-89	\$985.30	
w/o Seat Air Bag				
Cloth	#.8	NE51-88-131A-02		
Leather				
Black	#.8	NF53-88-131A-02		
Red	#.8	NF53-88-131A-19		
Tan	#.8	NF53-88-131A-89		
	2008			
w/Seat Air Bag				
Cloth	#.8	NE55-88-131A-02	\$217.49	
Leather				
Black	#.8	NF47-88-131A-02	\$985.30	

2008 Mazda MX-5 Miata Touring Convertible

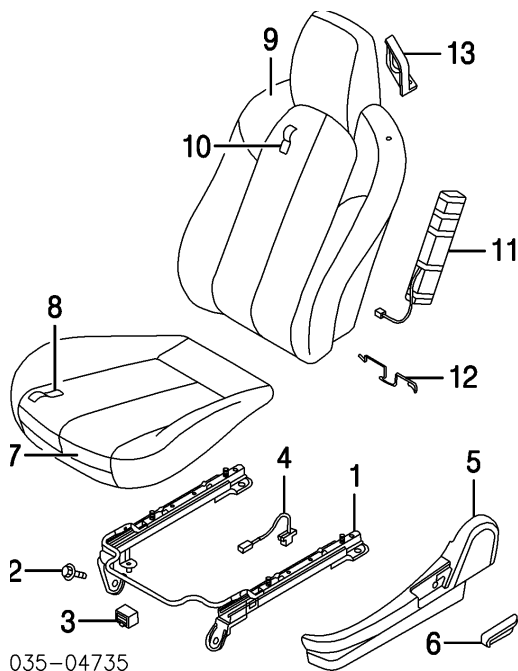
Brown/Black	#.8	NF47-88-131A-26	\$903.47
Red/Black	#.8	NF47-88-131A-19	
Tan	#.8	NF47-88-131A-89	\$985.30
w/o Seat Air Bag			
Cloth	#.8	NE51-88-131A-02	
Leather			
Black	#.8	NF53-88-131A-02	
Brown/Black	#.8	NF53-88-131A-26	
Red	#.8	NF53-88-131A-19	
Tan	#.8	NF53-88-131A-89	
2009-10			
w/Seat Air Bag			
Leather	#.8	NH25-88-131-31	\$717.78
Cloth	#.8	NH19-88-131-02	\$259.56
w/o Seat Air Bag			
Leather	#.8	NH27-88-131-22	\$985.30
Cloth	#.8	NH18-88-131-02	
(a) Order by Application			
11 Pad, Seat Back¶			
w/Seat Air Bag	#.8	NF47-88-13X	\$243.64
w/o Seat Air Bag	#.8	NF53-88-13X	
#R&R Complete, w/Seat Assy Removed			
12 Module, Seat Air Bag-See Air Bag System Section¶			
13 Harness, Seat¶		NE51-88-129	\$36.16
14 Wire, Seat Back¶			
w/Seat Air Bag		NE55-88-139	\$11.13
15 Guide, Seat Belt¶	#.1	NE51-88-1L7-02	\$13.00

¶Included w/Passenger Seat Assy

#Included in R&R Seat Back Trim

DRIVER SIDE

2008 Mazda MX-5 Miata Touring Convertible



035-04735

R&I Front Seat Assy

Seat Assy, Driver (a)

Cloth

Leather

(a) Order by Application

1 Adjuster, Seat Track
w/Height Adjustment
w/o Height Adjustment
#w/Seat Assy Removed

2 Bolt, Adjuster Mtg (4)

3 Clip, Cable

4 Sensor, Seat Position-See Air Bag System Section

5 Cover, Side Seat
w/Height Adjustment
w/o Height Adjustment

6 Handle, Recliner

7 Trim, Seat Cushion
w/Height Adjustment
Cloth
Leather
Black
Red
Tan

w/o Height Adjustment

.3

.3 NH18-57-150A-02 \$1,797.15

.3 NH23-57-150A-02 \$3,708.54

#.3 NH01-88-H50 \$995.25

#.3 NE51-88-A50 \$217.88

9YA0-21-079 \$2.34

NE51-88-055 \$7.48

.2 NH01-88-1H3-02 \$35.92

.2 NE51-88-1H3A-02 \$32.06

.1 NE51-88-1H5-02 \$5.99

#.7 NH01-88-161-02 \$122.41

#.7 NH03-88-161-02 \$461.27

#.7 NH03-88-161-19 \$476.38

#.7 NF03-88-161-89

2008 Mazda MX-5 Miata Touring Convertible

Cloth	#.7	NE51-88-161B-02	\$112.28
Leather			
Black	#.7	NF47-88-161A-02	\$402.55
Red	#.7	NF47-88-161A-19	\$414.47
Tan	#.7	NF47-88-161A-89	\$394.87
8 Pad, Seat Cushion¶¶	#.7	NF47-88-16XB	\$247.48

#R&R Complete, w/Seat Assy Removed

9 Trim, Seat Back (a)¶¶

2006

w/Seat Air Bag

To 2-1-06

Cloth	#.8	NE55-88-181A-02	\$276.51
Leather			
Black	#.8	NF47-88-181A-02	\$1,001.13
Red/Black	#.8	NF47-88-181-19	\$961.23
Tan	#.8	NF47-88-181A-89	\$1,001.14

From 2-1-06

Cloth	#.8	NE55-88-181A-02	\$276.51
Leather			
Black	#.8	NF47-88-181A-02	\$1,001.13
Red/Black	#.8	NF47-88-181A-19	
Tan	#.8	NF47-88-181A-89	\$1,001.14

w/o Seat Air Bag

To 2-1-06

Cloth	#.8	NE51-88-181A-02	\$208.48
Leather			
Black	#.8	NF53-88-181-02	
Red	#.8	NF53-88-181-19	
Tan	#.8	NF53-88-181-89	

From 2-1-06

Cloth	#.8	NE51-88-181A-02	\$208.48
Leather			
Black	#.8	NF53-88-181A-02	
Red	#.8	NF53-88-181A-19	
Tan	#.8	NF53-88-181A-89	

2007-08

w/Seat Air Bag

Cloth	#.8	NE55-88-181A-02	\$276.51
Leather			
Black	#.8	NF47-88-181A-02	\$1,001.13
Red/Black	#.8	NF47-88-181A-19	
Tan	#.8	NF47-88-181A-89	\$1,001.14

w/o Seat Air Bag

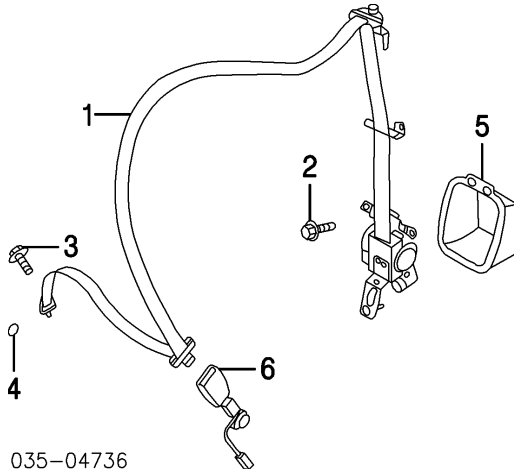
Cloth	#.8	NE51-88-181A-02	\$208.48
-------	-----	-----------------	----------

2008 Mazda MX-5 Miata Touring Convertible

Leather			
Black	#.8	NF53-88-181A-02	
Red	#.8	NF53-88-181A-19	
Tan	#.8	NF53-88-181A-89	
2009-10			
w/Seat Air Bag			
Cloth	#.8	NH18-88-181-02	
Leather	#.8	NH25-88-181-02	\$734.37
w/o Seat Air Bag			
Cloth	#.8	NH19-88-181-02	\$317.73
Leather	#.8	NH24-88-181-31	
(a) Order by Application			
10 Pad, Seat Back¶			
w/Seat Air Bag	#.8	NF47-88-18X	\$235.86
w/o Seat Air Bag	#.8	NF53-88-18X	
#R&R Complete, w/Seat Assy Removed			
11 Module, Side Air Bag-See Air Bag System Section¶			
12 Wire, Seat Back¶			
w/Seat Air Bag		NE55-88-189	\$12.53
13 Guide, Seat Belt¶	#.1	NE51-88-1M7-02	\$13.00
¶Included w/Driver Seat Assy			
#Included in R&R Seat Back Trim			

2008 Mazda MX-5 Miata Touring Convertible

SEAT BELTS



035-04736					
1	Belt, Seat	R	#.4	NEY1-57-L30	\$304.01
		L	#.4	NEY1-57-L90	\$198.17

#w/Necessary Trim Removed

Pretensioner, Seat Belt-Serviced w/Seat Belt

2	Bolt, Mtg (3/Side)	R		9946-40-620	\$1.55
		L		9946-40-620	\$1.55
3	Bolt, Anchor	R		9YA0-21-079	\$2.34
		L		9YA0-21-079	\$2.34
4	Cover, Hole	R		LC62-57-425	\$1.26
		L		LC62-57-425	\$1.26
5	Cover, Retractor	R		NE51-57-988B	\$26.17
		L		NE51-57-988B	\$26.17
6	Buckle, Seat	R	#.2	NEY1-57-620	\$37.06
		L	#.2	NEY1-57-620	\$37.06

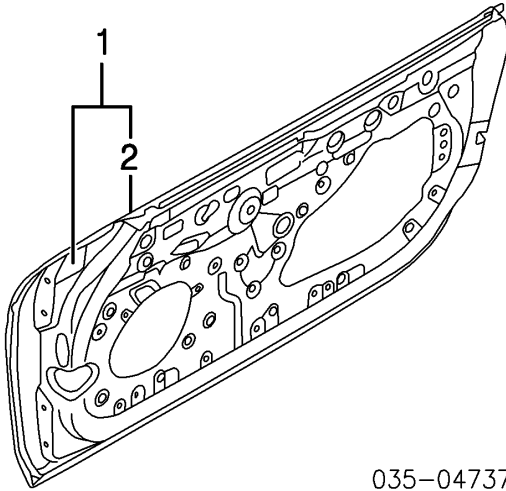
#w/Seat Assy Removed

2008 Mazda MX-5 Miata Touring Convertible

FRONT DOOR

Procedures 16 and 28

SHEET METAL



035-04737

Refinish Door Outside

R 2.1

L 2.1

Add for Jamb & Interior

R 1.0

L 1.0

Add for Jamb

R .5

L .5

R&I Door Assy

R .8

L .8

1 Shell Assy, Door

R #5.2 NEY1-58-02XG \$648.89

L #5.2 NEY1-59-02XG \$662.34

2 Panel, Door Repair (a)¶

R #7.0 NE51-58-031B \$111.21

L #7.0 NE51-59-031B \$111.21

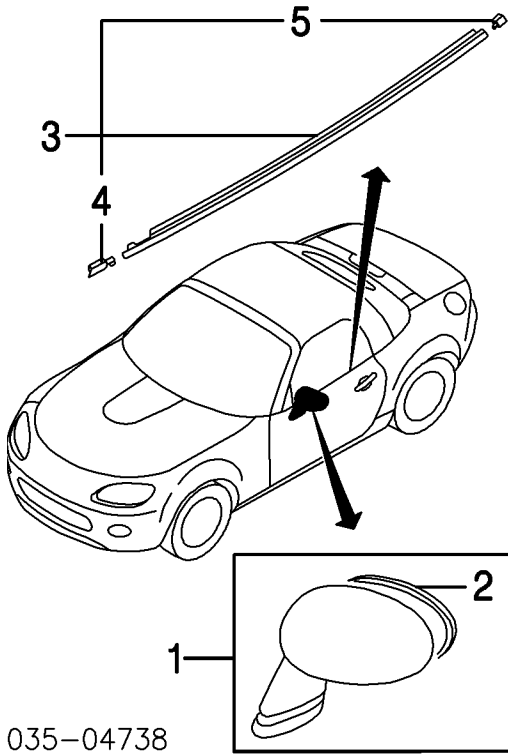
(a) Contact Dealer for Availability & Price

¶Included w/Door Shell Assy

#Includes R&I/R&R Rear View Mirror Assy & Vent Glass

EXTERIOR TRIM

2008 Mazda MX-5 Miata Touring Convertible



035-04738

Refinish Rear View Mirror Assy

R .7

L .7

R&I Outer Belt Moulding

R .3

L .3

R&I Rear View Mirror Assy

R #.6

L #.6

#Includes R&I Trim Panel

1 Mirror Assy, Rear View

Aluminum Metallic, (Code 38P)	09-1	R	#.3	NE51-69-120J-50	\$147.11
		L	#.3	NE51-69-180J-50	\$147.11
Blue, (Code 33Y)	06-0	R	#.3	NE51-69-120J-19	\$130.42
		L	#.3	NE51-69-180J-19	\$132.61
Brilliant Black, (Code A3F)		R	#.3	NE51-69-120J-PZ	\$145.09
		L	#.3	NE51-69-180J-PZ	\$170.11
Copper Red, (Code 32V)		R	#.3	NE51-69-120J-74	\$145.09
		L	#.3	NE51-69-180J-74	\$145.09
Galaxy Gray, (Code 32S)	06-0	R	#.3	NE51-69-120J-91	\$145.09
		L	#.3	NE51-69-180J-91	\$142.90
Highland Green, (Code 35K)	06-0	R	#.3	NE51-69-120J-77	\$147.11
		L	#.3	NE51-69-180J-77	\$145.09

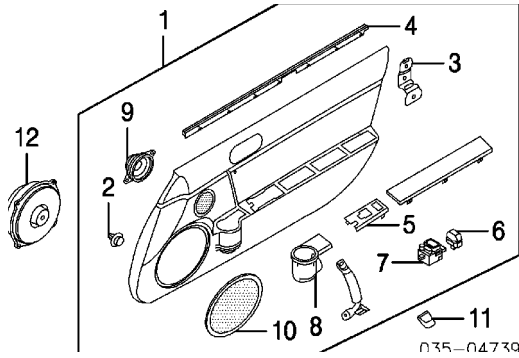
2008 Mazda MX-5 Miata Touring Convertible

Marble White, (Code A5M)	R	#.3	NE51-69-120J-71	\$147.11
	L	#.3	NE51-69-180J-71	\$145.09
Metropolitan Gray, (Code 36C)	09-1 R	#.3	NE51-69-120J-86	\$147.11
	L	#.3	NE51-69-180J-86	\$147.11
Nordic Green, (Code 27C)	06-0 R	#.3	NE51-69-120G-97	\$145.09
	L	#.3	NE51-69-180G-97	\$145.09
Stormy Blue, (Code 35J)	R	#.3	NE51-69-120J-12	\$147.11
	L	#.3	NE51-69-180J-12	\$145.09
Sunflower Yellow, (Code A6Y)	09-1 R	#.3	NE51-69-120J-63	\$147.11
	L	#.3	NE51-69-180J-63	\$147.11
Sunlight Silver, (Code 22V)	06-0 R	#.3	NE51-69-120H-67	\$147.11
	L	#.3	NE51-69-180H-67	\$145.09
True Red, (Code A4A)	R	#.3	NE51-69-120J-11	\$145.09
	L	#.3	NE51-69-180H-11	\$142.90
Velocity Red, (Code 27A)	06-0 R	#.3	NE51-69-120G-87	\$145.09
	L	#.3	NE51-69-180G-87	\$145.09
Winning Blue, (Code 27B)	06-0 R	#.3	NE51-69-120G-94	\$145.09
	L	#.3	NE51-69-180G-94	\$145.09
#w/Trim Panel Removed				
2 Glass, Mirror¶	R	.2	NE51-69-1G1	\$17.16
	L	.2	NE51-69-1G7	\$17.16
¶Included w/Rear View Mirror Assy				
3 Moulding Assy, Outer Belt	R	.3	NE51-50-640G	\$68.07
	L	.3	NE51-50-650G	\$68.07
Protector, Belt Mldg (a)				
4 Front	R		NE51-50-644	\$8.54
	L		NE51-50-654	\$8.54
5 Rear	R		NE51-50-645	\$7.99
	L		NE51-50-655	\$7.99

(a) Included w/Outer Belt Moulding Assy

INTERIOR TRIM

2008 Mazda MX-5 Miata Touring Convertible



R&I Trim Panel

R	.3
L	.3

NOTE: All Parts in this section are included in R&R Trim Panel unless noted otherwise.

1 Panel Assy, Door Trim

2006-08

Cloth Interior

4 Speaker System

R .4 NF51-68-42YJ-02

L .4 NF51-68-45YJ-02

7 Speaker System

R .4 NE51-68-42YK-02 \$437.73

L .4 NE51-68-45YK-02 \$425.23

Leather Interior

Black

R .4 NE59-68-42YK-02 \$602.61

L .4 NE59-68-45YL-02 \$568.27

Red/Black

R .4 NE59-68-42YJ-19 \$596.55

L .4 NE59-68-45YJ-19 \$607.32

Tan

R .4 NE59-68-42YK-89 \$602.61

L .4 NE59-68-45YK-89 \$602.41

2009-10

Black

Black Handle

R .4 NH18-68-42YC-02 \$602.74

L .4 NH18-68-45YC-02 \$602.74

Silver Handle

R .4 NH28-68-42YE-02

L .4 NH28-68-45YE-02

Two Tone

R .4 NH28-68-42YE-22

L .4 NH28-68-45YE-22

Beige

R .4 NH28-68-42YE-31

L .4 NH28-68-45YE-31

2 Clip, Door Trim (8/Side)¶

R GJ6A-68-AB1 \$0.68

L GJ6A-68-AB1 \$0.68

3 Brkt, Trim Panel¶

R NE51-68-403 \$7.16

L NE51-68-403 \$7.16

4 Mldg, Inner Belt¶

R NE51-58-821 \$20.14

L NE51-59-821 \$20.97

5 Panel, Switch¶

2008 Mazda MX-5 Miata Touring Convertible

2006-08				
Man Locks	R	#.2	NE51-68-4L1A-02	\$7.15
	L	#.2	NE51-68-4L6A-02	\$7.15
Pwr Locks				
w/Sport Susp	R	#.2	NF49-68-4L1A	\$89.24
	L	#.2	NF49-68-4L6A	\$89.24
w/o Sport Susp	R	#.2	NE55-68-4L1A-02	\$80.88
	L	#.2	NE55-68-4L6A-02	\$80.88
2009-10				
Man Locks	R	#.2	NH52-68-4L1-02	\$13.90
	L	#.2	NH52-68-4L6-02	\$13.90
Pwr Locks	R	#.2	NH18-68-4L1-02	\$13.90
	L	#.2	NH18-68-4L6-02	\$13.90
6 Switch, Door Lock¶	R	#.2	NE52-66-660	\$36.89
	L	#.2	NE51-66-660	\$35.54
7 Switch, Mirror #R&R One Side Complete	L	#.2	GJ6A-66-600	\$13.92
8 Pocket, Door¶	R		NE51-68-4C1B-02	\$8.31
	L		NE51-68-4N1B-02	\$7.62
9 Speaker, Upper¶				
2006-08				
Cloth Interior	R	#.2	NE51-66-960	\$111.84
	L	#.2	NE51-66-960	\$111.84
Leather Interior	R	#.2	NE65-66-960	\$109.19
	L	#.2	NE65-66-960	\$109.19
2009-10				
Black Handle	R	#.2	NE51-66-960	\$111.84
	L	#.2	NE51-66-960	\$111.84
Silver Handle	R	#.2	NE64-66-A60	\$84.95
	L	#.2	NE64-66-A60	\$84.95
¶w/Trim Panel Removed, Not Included in R&R Trim Panel				
10 Grille, Lwr Speaker¶	06-0	R	.2 NE59-68-4H1	\$36.55
		L	.2 NE59-68-4W1	\$34.42
	09-1	R	.2 NH54-68-4H1B	
		L	.2 NH54-68-4W1B	
¶Included w/Door Trim Panel Assy				
11 Cap, Pull Handle				
2006-08				
Cloth Interior	R		NE51-68-D62D-02	\$21.93
	L		NE51-68-D82D-02	\$21.76
Leather Interior	R		NE59-68-D62C	\$21.72
	L		NE59-68-D82D	\$21.93

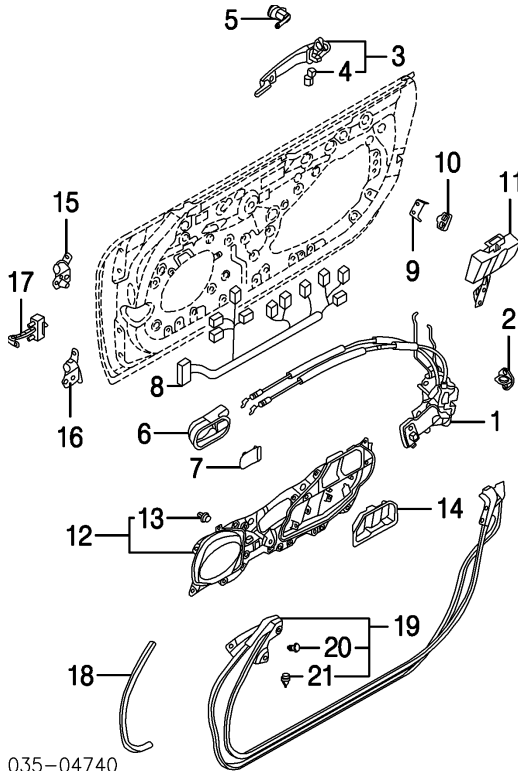
2008 Mazda MX-5 Miata Touring Convertible

2009-10				
Type 1	R		NH52-68-D62A-02	\$15.91
	L		NH52-68-D82A-02	\$15.91
Type 2	R		NH54-68-D62C-02	
	L		NH54-68-D82C-02	
12 Speaker, Lower				
4 Speaker System	R	#.2	GJ6A-66-960	\$22.11
	L	#.2	GJ6A-66-960	\$22.11
7 Speaker System	R	#.2	NE62-66-960	\$210.54
	L	#.2	NE62-66-960	\$210.54
Shield, Moisture	R	#	N.A.	
	L	#	N.A.	

#w/Trim Panel Removed, Not Included in R&R Trim Panel

HARDWARE

2006-08



Refinish Outside Handle	R	.5
	L	.5
Refinish Upper Hinge	R	.5
	L	.5
Refinish Lower Hinge	R	.5

2008 Mazda MX-5 Miata Touring Convertible

	L		.5		
R&I Outside Handle	R	#1.0			
	L	#1.0			
#Includes R&R Module Assy					
R&I Carrier Module	R	#.8			
	L	#.8			
#Includes R&I Trim Panel & R&I/R&R Door Speaker					
1 Latch, Door					
Man Locks	R	#.3	NE51-58-310H	\$87.22	
	L	#.3	NE51-59-310H	\$87.22	
Pwr Locks					
w/Theft Deterrent	R	#.3	NE53-58-310H	\$172.18	
	L	#.3	NE53-59-310J	\$168.95	
w/o Theft Deterrent	R	#.3	NE52-58-310H	\$142.63	
	L	#.3	NE53-59-310J	\$168.95	
#w/Trim Panel Removed					
2 Striker, Latch	R		.2 GJ6A-58-361C	\$10.26	
	L		.2 GJ6A-58-361C	\$10.26	
3 Handle Assy, Outside					
w/Keyless Entry					
w/Smart Entry System					
w/Retractable Hardtop					
Blue, (Code 33Y)	07-0 R	#.2	NG21-58-410B-19	\$154.65	
	L	#.2	NG21-59-410-19		
			NG21-58-410C-PZ		
Brilliant Black, (Code A3F)	07-0 R	#.2		\$159.78	
	L	#.2	NG21-59-410C-PZ	\$159.78	
			NG21-58-410C-74		
Copper Red, (Code 32V)	07-0 R	#.2		\$159.78	
	L	#.2	NG21-59-410C-74	\$159.78	
			NG21-58-410B-91		
Galaxy Gray, (Code 32S)	07-0 R	#.2		\$164.55	
	L	#.2	NG21-59-410B-91	\$169.42	
			NG21-58-410B-77		
Highland Green, (Code 35K)	07-0 R	#.2		\$169.44	
	L	#.2	NG21-59-410C-77	\$169.42	
			NG21-58-410C-12		
Stormy Blue, (Code 35J)	07-0 R	#.2		\$159.78	
	L	#.2	NG21-59-410C-12	\$159.78	
			NG21-58-410A-68		
Sunlight Silver, (Code 22V)	07-0 R	#.2			
	L	#.2	NG21-59-410A-68		
True Red, (Code A4A)	07-0 R	#.2	NG21-58-410C-11	\$159.78	

2008 Mazda MX-5 Miata Touring Convertible

	L	#.2	NG21-59-410C-11	\$159.78	
w/o Retractable Hardtop					
Brilliant Black, (Code A3F)	R	#.2	NE52-58-410D-PZ	\$159.78	
	L	#.2	NE52-59-410D-PZ	\$159.78	
Copper Red, (Code 32V)	R	#.2	NE52-58-410D-74	\$159.78	
	L	#.2	NE52-59-410D-74	\$159.78	
Galaxy Gray, (Code 32S)	R	#.2	NE52-58-410C-91	\$169.44	
	L	#.2	NE52-59-410D-91	\$161.35	
Highland Green, (Code 35K)	R	#.2	NE52-58-410C-77	\$169.44	
	L	#.2	NE52-59-410D-77	\$166.02	
Marble White, (Code A5M)	R	#.2	NE52-58-410D-71	\$159.78	
	L	#.2	NE52-59-410D-71	\$159.78	
Nordic Green, (Code 27C)	R	#.2	NE52-58-410B-97	\$169.44	
	L	#.2	NE52-59-410B-97	\$169.44	
Stormy Blue, (Code 35J)	R	#.2	NE52-58-410D-12	\$159.78	
	L	#.2	NE52-59-410D-12	\$159.78	
Sunlight Silver, (Code 22V)	R	#.2	NE52-58-410C-68	\$169.44	
	L	#.2	NE52-59-410C-68	\$169.44	
True Red, (Code A4A)	R	#.2	NE52-58-410D-11	\$159.78	
	L	#.2	NE52-59-410D-11	\$159.78	
Velocity Red, (Code 27A)	R	#.2	NE52-58-410-87		
	L	#.2	NE52-59-410-87		
Winning Blue, (Code 27B)	R	#.2	NE52-58-410B-94	\$169.44	
	L	#.2	NE52-59-410B-94	\$169.44	
w/o Smart Entry System					
w/Retractable Hardtop					
Blue, (Code 33Y)	07-0	R	#.2	NG20-58-410B-19	
		L	#.2	NG20-59-410B-19	
Brilliant Black, (Code A3F)	07-0	R	#.2	NG20-58-410C-PZ	\$105.58
		L	#.2	NG20-59-410C-PZ	\$76.52
Copper Red, (Code 32V)	07-0	R	#.2	NG20-58-410C-74	\$105.60
		L	#.2	NG20-59-410C-74	\$76.52

2008 Mazda MX-5 Miata Touring Convertible

Galaxy Gray, (Code 32S)	07-0 R	#.2	NG20-58-410B-91	\$106.66
		L	#.2	NG20-59-410C-91 \$106.64
Highland Green, (Code 35K)	07-0 R	#.2	NG20-58-410B-77	\$106.66
		L	#.2	NG20-59-410B-77 \$106.64
Stormy Blue, (Code 35J)	07-0 R	#.2	NG20-58-410C-12	\$105.58
		L	#.2	NG20-59-410C-12 \$76.52
Sunlight Silver, (Code 22V)	07-0 R	#.2	NG20-58-410A-68	
		L	#.2	NG20-59-410A-68
True Red, (Code A4A)	07-0 R	#.2	NG20-58-410C-11	\$105.58
		L	#.2	NG20-59-410C-11 \$76.52
w/o Retractable Hardtop				
Brilliant Black, (Code A3F)		R	#.2	NE51-58-410D-PZ \$105.58
		L	#.2	NE51-59-410D-PZ \$76.52
Copper Red, (Code 32V)		R	#.2	NE51-58-410D-74 \$76.52
		L	#.2	NE51-59-410D-74 \$76.52
Galaxy Gray, (Code 32S)		R	#.2	NE51-58-410C-91 \$106.66
		L	#.2	NE51-59-410D-91 \$106.66
Highland Green, (Code 35K)		R	#.2	NE51-58-410D-77 \$76.52
		L	#.2	NE51-59-410B-77 \$102.53
Marble White, (Code A5M)		R	#.2	NE51-58-410D-71 \$76.52
		L	#.2	NE51-59-410D-71 \$113.91
Nordic Green, (Code 27C)		R	#.2	NE51-58-410B-97 \$106.66
		L	#.2	NE51-59-410B-97 \$106.66
Stormy Blue, (Code 35J)		R	#.2	NE51-58-410A-12
		L	#.2	NE51-59-410C-12
Sunlight Silver, (Code 22V)		R	#.2	NE51-58-410C-68 \$106.64
		L	#.2	NE51-59-410C-68 \$103.59
True Red, (Code A4A)		R	#.2	NE51-58-410D-11 \$76.52
		L	#.2	NE51-59-410D-11 \$76.52
Velocity Red, (Code 27A)		R	#.2	NE51-58-410-87
		L	#.2	NE51-59-410-87

2008 Mazda MX-5 Miata Touring Convertible

Winning Blue, (Code 27B)	R	#.2	NE51-58-410A-94	\$76.52
	L	#.2	NE51-59-410B-94	\$106.66
w/o Keyless Entry				
w/Retractable Hardtop				
Blue, (Code 33Y)	07-0 R	#.2	N163-58-410B-19	
	L	#.2	NG20-59-410B-19	
			N163-58-410A-PZ	
Brilliant Black, (Code A3F)	07-0 R	#.2		
	L	#.2	NG20-59-410C-PZ	\$76.52
			N163-58-410A-74	
Copper Red, (Code 32V)	07-0 R	#.2		
	L	#.2	NG20-59-410C-74	\$76.52
			N163-58-410A-91	
Galaxy Gray, (Code 32S)	07-0 R	#.2		
	L	#.2	NG20-59-410C-91	\$106.64
			N163-58-410A-77	
Highland Green, (Code 35K)	07-0 R	#.2		
	L	#.2	NG20-59-410B-77	\$106.64
			N163-58-410A-12	
Stormy Blue, (Code 35J)	07-0 R	#.2		
	L	#.2	NG20-59-410C-12	\$76.52
			N163-58-410A-68	
Sunlight Silver, (Code 22V)	07-0 R	#.2		
	L	#.2	NG20-59-410A-68	
True Red, (Code A4A)	07-0 R	#.2	N163-58-410A-11	
	L	#.2	NG20-59-410C-11	\$76.52
w/o Retractable Hardtop				
Brilliant Black, (Code A3F)	R	#.2	N121-58-410D-PZ	\$76.52
	L	#.2	NE51-59-410D-PZ	\$76.52
			N121-58-410D-74	\$76.52
Copper Red, (Code 32V)	R	#.2		
	L	#.2	NE51-59-410D-74	\$76.52
			N121-58-410C-91	\$106.66
Galaxy Gray, (Code 32S)	R	#.2		
	L	#.2	NE51-59-410D-91	\$106.66
			N121-58-410C-77	\$106.64
Highland Green, (Code 35K)	R	#.2		
	L	#.2	NG21-59-410C-77	\$169.42
			N121-58-410D-71	\$76.52
Marble White, (Code A5M)	R	#.2		
	L	#.2	NE51-59-410D-71	\$113.91
			N121-58-410C-97	\$100.55
Nordic Green, (Code 27C)	R	#.2		
	L	#.2	NE51-59-410B-97	\$106.66

2008 Mazda MX-5 Miata Touring Convertible

Stormy Blue, (Code 35J)	R	#.2	N121-58-410D-12	\$76.52
	L	#.2	NE51-59-410C-12	
Sunlight Silver, (Code 22V)	R	#.2	N121-58-410C-68	\$106.64
	L	#.2	NE51-59-410C-68	\$103.59
True Red, (Code A4A)	R	#.2	N121-58-410D-11	\$76.52
	L	#.2	NE51-59-410D-11	\$76.52
Velocity Red, (Code 27A)	R	#.2	N121-58-410-87	
	L	#.2	NE51-59-410-87	
Winning Blue, (Code 27B)	R	#.2	N121-58-410C-94	\$104.58
	L	#.2	NE51-59-410B-94	\$106.66
4 Clip, Handle [¶]	R		GT2G-59-315	\$3.03
	L		GT2G-58-315	\$2.68
[¶] Included w/Outside Handle Assy				
5 Cylinder, Door Lock (a)				
Right				
w/o Keyless Entry	R	#.2	NEZ1-76-210	\$59.45
	L	#.2	NEZ1-76-220	\$56.65
(a) Included w/Vehicle Lock Set-listed in Steering Wheel/Column Section				
#R&R One Side Complete, w/Module Assy Removed				
6 Handle, Inside Door	R	#.2	NE51-58-330H-02	\$63.52
	L	#.2	NE51-59-330H-02	\$63.52
#w/Trim Panel Removed				
7 Cap, Inside Handle	R		NE51-58-334C-02	\$9.07
	L		NE51-59-334C-02	\$9.07
8 Harness, Door Wiring				
Man Locks				
2 Speaker System	R		NE53-67-200F	
	L		NE53-67-190F	
4 Speaker System	R		NE51-67-200H	\$103.77
	L		NE51-67-190H	\$134.10
Pwr Locks				
4 Speaker System				
2006				
To 4-1-06	R		NE55-67-200G	\$146.63
	L		NE55-67-190H	\$170.76
From 4-1-06	R		NE55-67-200J	\$146.63
	L		NE55-67-190H	\$170.76
2007-08	R		NE55-67-200J	\$146.63

2008 Mazda MX-5 Miata Touring Convertible

	L		NE55-67-190H	\$170.76
7 Speaker System	R		NE61-67-200J	\$151.77
	L		NE61-67-190H	\$175.05
9 Dovetail, Wedge	R		S084-62-671A	\$5.33
	L		S084-62-671A	\$5.33
10 Wedge, Door	R		NA01-62-681	\$12.34
	L		NA01-62-681	\$12.34
11 Pad, Insulator	R		NE51-58-950A	\$40.05
	L		NE51-59-950A	\$40.05
12 Carrier Assy, Module				
Man Locks	R	#.8	NE55-58-97XC	\$112.53
	L	#.8	NE55-59-97XC	\$99.04
Pwr Locks				
4 Speaker System	R	#.8	NE51-58-97XD	\$113.50
	L	#.8	NE51-59-97XC	\$100.45
7 Speaker System	R	#.8	NE54-58-97XE	\$112.53
	L	#.8	NE54-59-97XE	\$101.61
#Includes R&I Trim Panel & R&I/R&R Door Speaker				
13 Clip, Carrier (2/Side) (b)	R		NE51-68-865	\$1.55
	L		NE51-68-865	\$1.55
(b) Included w/Module Carrier Assy				
14 Cover, Hole	R		NE51-58-973A	\$27.99
	L		NE51-59-973A	\$27.99
15 Hinge, Upper	R	#.2	NE51-58-210B	\$23.78
	L	#.2	NE51-59-210B	\$23.51
16 Hinge, Lower	R	#.2	F151-59-210B	\$23.35
	L	#.2	F151-58-210B	\$23.16
#w/Door Removed				
17 Check, Door	R	#.3	F152-58-270B	\$46.39
	L	#.3	F152-58-270B	\$46.39
#w/Trim Panel Removed				
18 Welt, Door (On Door)	R	.2	NE51-68-911A	\$13.75
	L	.2	NE51-68-911A	\$13.75
			NE51-58-760F	
19 Weatherstrip Assy, Door (On Door)	R	.3		\$69.23
	L	.3	NE51-59-760F	\$69.23
Clip, W/Strip (c)				
20 Type 1, (6/Side)	R		F151-58-762	\$1.44
	L		F151-58-762	\$1.44
21 Type 2, (31/Side)	R		BC1D-58-762	\$0.44
	L		BC1D-58-762	\$0.44

2008 Mazda MX-5 Miata Touring Convertible

(c) Included w/Door Weatherstrip Assy

HARDWARE

2009-10

Refinish Outside Handle	R	.5		
	L	.5		
Refinish Upper Hinge	R	.5		
	L	.5		
Refinish Lower Hinge	R	.5		
	L	.5		
R&I Outside Handle	R	#1.0		
	L	#1.0		

#Includes R&R Module Assy

R&I Carrier Module	R	#.8		
	L	#.8		

#Includes R&I Trim Panel & R&I/R&R Door Speaker

1 Latch, Door				
Man Locks	R	#.3	NE51-58-310H	\$87.22
	L	#.3	NE51-59-310H	\$87.22
Pwr Locks				
w/Theft Deterrent	R	#.3	NE53-58-310H	\$172.18
	L	#.3	NE53-59-310J	\$168.95
w/o Theft Deterrent	R	#.3	NE52-58-310H	\$142.63
	L	#.3	NE53-59-310J	\$168.95
#w/Trim Panel Removed				
2 Striker, Latch	R	.2	GJ6A-58-361C	\$10.26
	L	.2	GJ6A-58-361C	\$10.26
3 Handle Assy, Outside				
w/Keyless Entry				
w/Retractable Hardtop				
Aluminum Metallic, (Code 38P)	R	#.2	NG20-58-410C-50	\$105.60
	L	#.2	NG20-59-410C-50	\$76.52
Brilliant Black, (Code A3F)	R	#.2	NG20-58-410C-PZ	\$105.58
	L	#.2	NG20-59-410C-PZ	\$76.52
Copper Red, (Code 32V)	R	#.2	NG20-58-410C-74	\$105.60
	L	#.2	NG20-59-410C-74	\$76.52
Metropolitan Gray, (Code 36C)	R	#.2	NG20-58-410C-86	\$76.52
	L	#.2	NG20-59-410C-86	\$76.52

2008 Mazda MX-5 Miata Touring Convertible

Stormy Blue, (Code 35J)	R	#.2	NG20-58-410C-12	\$105.58
	L	#.2	NG20-59-410C-12	\$76.52
Sunflower Yellow, (Code A6Y)	R	#.2	NG20-58-410C-63	\$76.52
	L	#.2	NG20-59-410C-63	\$76.52
True Red, (Code A4A)	R	#.2	NG20-58-410C-11	\$105.58
	L	#.2	NG20-59-410C-11	\$76.52
w/o Retractable Hardtop				
Aluminum Metallic, (Code 38P)	R	#.2	NE51-58-410D-50	\$76.52
	L	#.2	NE51-59-410D-50	\$76.52
Brilliant Black, (Code A3F)	R	#.2	NE51-58-410D-PZ	\$105.58
	L	#.2	NE51-59-410D-PZ	\$76.52
Copper Red, (Code 32V)	R	#.2	NE51-58-410D-74	\$76.52
	L	#.2	NE51-59-410D-74	\$76.52
Marble White, (Code A5M)	R	#.2	NE51-58-410D-71	\$76.52
	L	#.2	NE51-59-410D-71	\$113.91
Metropolitan Gray, (Code 36C)	R	#.2	NE51-58-410D-86	\$76.52
	L	#.2	NE51-59-410D-86	\$76.52
Stormy Blue, (Code 35J)	R	#.2	NE51-58-410D-12	\$76.52
	L	#.2	NE51-59-410C-12	
Sunflower Yellow, (Code A6Y)	R	#.2	NE51-58-410D-63	\$76.52
	L	#.2	NE51-59-410D-63	\$76.52
True Red, (Code A4A)	R	#.2	NE51-58-410D-11	\$76.52
	L	#.2	NE51-59-410D-11	\$76.52
w/o Keyless Entry				
w/Smart Entry System				
w/Retractable Hardtop				
Aluminum Metallic, (Code 38P)	R	#.2	NG21-58-410C-50	\$159.78
	L	#.2	NG21-59-410C-50	\$159.78
Brilliant Black, (Code A3F)	R	#.2	NG21-58-410C-PZ	\$159.78
	L	#.2	NG21-59-410C-PZ	\$159.78
Copper Red, (Code 32V)	R	#.2	NG21-58-410C-74	\$159.78
	L	#.2	NG21-59-410C-74	\$159.78

2008 Mazda MX-5 Miata Touring Convertible

Metropolitan Gray, (Code 36C)	R	#.2	NG21-58-410C-86	\$134.06
	L	#.2	NG21-59-410C-86	\$134.06
Stormy Blue, (Code 35J)	R	#.2	NG21-58-410C-12	\$159.78
	L	#.2	NG21-59-410C-12	\$159.78
Sunflower Yellow, (Code A6Y)	R	#.2	NG21-58-410C-63	\$134.06
	L	#.2	NG21-59-410C-63	\$134.06
True Red, (Code A4A)	R	#.2	NG21-58-410C-11	\$159.78
	L	#.2	NG21-59-410C-11	\$159.78
Sunflower Yellow, (Code A6Y)	R	#.2	NG21-58-410C-63	\$134.06
	L	#.2	NG21-59-410C-63	\$134.06
True Red, (Code A4A)	R	#.2	NG21-58-410C-11	\$159.78
	L	#.2	NG21-59-410C-11	\$159.78
w/o Retractable Hardtop				
Aluminum Metallic, (Code 38P)	R	#.2	NE52-58-410D-50	\$159.78
	L	#.2	NE52-59-410D-50	\$159.78
Brilliant Black, (Code A3F)	R	#.2	NE52-58-410D-PZ	\$159.78
	L	#.2	NE52-59-410D-PZ	\$159.78
Copper Red, (Code 32V)	R	#.2	NE52-58-410D-74	\$159.78
	L	#.2	NE52-59-410D-74	\$159.78
Marble White, (Code A5M)	R	#.2	NE52-58-410D-71	\$159.78
	L	#.2	NE52-59-410D-71	\$159.78
Metropolitan Gray, (Code 36C)	R	#.2	NE52-58-410D-86	\$134.06
	L	#.2	NE52-59-410D-86	\$134.06
Stormy Blue, (Code 35J)	R	#.2	NE52-58-410D-12	\$159.78
	L	#.2	NE52-59-410D-12	\$159.78
Sunflower Yellow, (Code A6Y)	R	#.2	NE52-58-410D-63	\$159.78
	L	#.2	NE52-59-410D-63	\$134.06
True Red, (Code A4A)	R	#.2	NE52-58-410D-11	\$159.78
	L	#.2	NE52-59-410D-11	\$159.78
w/o Smart Entry System w/Retractable Hardtop				

2008 Mazda MX-5 Miata Touring Convertible

Aluminum Metallic, (Code 38P)	R	#.2	N163-58-410C-50	\$76.52
	L	#.2	NG20-59-410C-11	\$76.52
Brilliant Black, (Code A3F)	R	#.2	N163-58-410C-PZ	\$76.52
	L	#.2	NG20-59-410C-PZ	\$76.52
Copper Red, (Code 32V)	R	#.2	N163-58-410C-74	\$76.52
	L	#.2	NG20-59-410C-74	\$76.52
Metropolitan Gray, (Code 36C)	R	#.2	N163-58-410C-86	\$76.52
	L	#.2	NG20-59-410C-86	\$76.52
Stormy Blue, (Code 35J)	R	#.2	N163-58-410C-12	\$76.52
	L	#.2	NG20-59-410C-12	\$76.52
Sunflower Yellow, (Code A6Y)	R	#.2	N163-58-410C-63	\$76.52
	L	#.2	NG20-59-410C-63	\$76.52
True Red, (Code A4A)	R	#.2	N163-58-410C-11	\$76.52
	L	#.2	NG20-59-410C-11	\$76.52
w/o Retractable Hardtop				
Aluminum Metallic, (Code 38P)	R	#.2	N121-58-410D-50	\$76.52
	L	#.2	NE51-59-410D-50	\$76.52
Brilliant Black, (Code A3F)	R	#.2	N121-58-410D-PZ	\$76.52
	L	#.2	NE51-59-410D-PZ	\$76.52
Copper Red, (Code 32V)	R	#.2	N121-58-410D-74	\$76.52
	L	#.2	NE51-59-410D-74	\$76.52
Marble White, (Code A5M)	R	#.2	N121-58-410D-71	\$76.52
	L	#.2	NE51-59-410D-71	\$113.91
Metropolitan Gray, (Code 36C)	R	#.2	N121-58-410D-86	\$76.52
	L	#.2	NE51-59-410D-86	\$76.52
Stormy Blue, (Code 35J)	R	#.2	N121-58-410D-12	\$76.52
	L	#.2	NE51-59-410C-12	
Sunflower Yellow, (Code A6Y)	R	#.2	N121-58-410D-63	\$76.52
	L	#.2	NE51-59-410D-63	\$76.52
True Red, (Code A4A)	R	#.2	N121-58-410D-11	\$76.52
	L	#.2	NE51-59-410D-11	\$76.52

2008 Mazda MX-5 Miata Touring Convertible

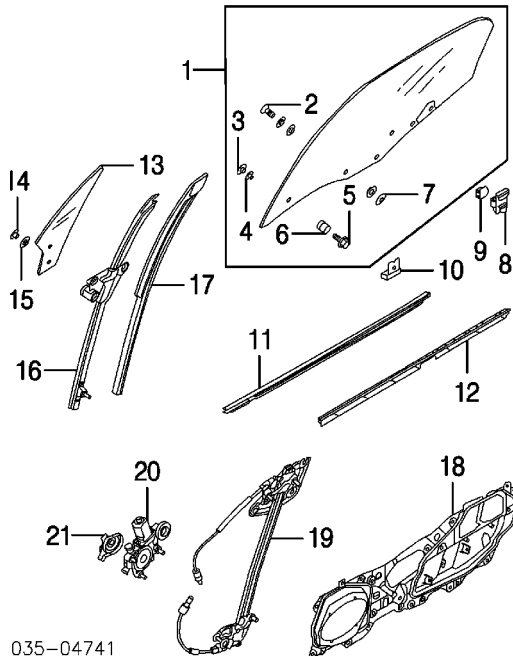
4	Clip, Handle¶	R		GT2G-59-315	\$3.03
		L		GT2G-58-315	\$2.68
	¶Included w/Outside Handle Assy				
5	Cylinder, Door Lock (a)	R	#.2	N.A.	
		L	#.2	NEZ1-76-220	\$56.65
	(a) Included w/Vehicle Lock Set-listed in Steering Wheel/Column Section				
	#R&R One Side Complete, w/Module Assy Removed				
6	Handle, Inside Door	R	#.2	NE51-58-330H-02	\$63.52
		L	#.2	NE51-59-330H-02	\$63.52
	#w/Trim Panel Removed				
7	Cap, Inside Handle	R		NE51-58-334C-02	\$9.07
		L		NE51-59-334C-02	\$9.07
8	Harness, Door Wiring				
	Man Locks	R		NH19-67-200A	\$123.72
		L		NH19-67-190A	\$135.04
	Pwr Locks				
	4 Speaker System	R		NH18-67-200A	\$159.63
		L		NH18-67-190A	\$196.14
	7 Speaker System	R		NH20-67-200A	\$178.60
		L		NH20-67-190A	\$194.36
9	Dovetail, Wedge	R		S084-62-671A	\$5.33
		L		S084-62-671A	\$5.33
10	Wedge, Door	R		NA01-62-681	\$12.34
		L		NA01-62-681	\$12.34
11	Pad, Insulator	R		NE51-58-950A	\$40.05
		L		NE51-59-950A	\$40.05
12	Carrier Assy, Module				
	Man Locks	R	#.8	NH18-58-97X	\$109.76
		L	#.8	NH18-59-97X	\$109.76
	Pwr Locks				
	4 Speaker System	R	#.8	NH42-58-97X	\$113.60
		L	#.8	NH42-59-97X	\$113.60
	7 Speaker System	R	#.8	NH43-58-97X	\$113.65
		L	#.8	NH43-59-97X	\$113.65
	#Includes R&I Trim Panel & R&I/R&R Door Speaker				
13	Clip, Carrier (2/Side) (b)	R		NE51-68-865	\$1.55
		L		NE51-68-865	\$1.55
	(b) Included w/Module Carrier Assy				
14	Cover, Hole	R		NE51-58-973A	\$27.99

2008 Mazda MX-5 Miata Touring Convertible

	L		NE51-59-973A	\$27.99
15 Hinge, Upper	R	#.2	NE51-58-210B	\$23.78
	L	#.2	NE51-59-210B	\$23.51
16 Hinge, Lower	R	#.2	F151-59-210B	\$23.35
	L	#.2	F151-58-210B	\$23.16
#w/Door Removed				
17 Check, Door	R	#.3	F152-58-270B	\$46.39
	L	#.3	F152-58-270B	\$46.39
#w/Trim Panel Removed				
18 Welt, Door (On Door)	R	.2	NE51-68-911A	\$13.75
	L	.2	NE51-68-911A	\$13.75
			NE51-58-760F	
19 Weatherstrip Assy, Door (On Door)	R	.3		\$69.23
	L	.3	NE51-59-760F	\$69.23
Clip, W/Strip (c)				
20 Type 1, (6/Side)	R		F151-58-762	\$1.44
	L		F151-58-762	\$1.44
21 Type 2, (31/Side)	R		BC1D-58-762	\$0.44
	L		BC1D-58-762	\$0.44

(c) Included w/Door Weatherstrip Assy

GLASS & PARTS



035-04741

1 Glass Assy, Door

Mazda

R	#1.4	NE51-58-510A	\$176.88
L	#1.4	NE51-59-510A	\$168.53

2008 Mazda MX-5 Miata Touring Convertible

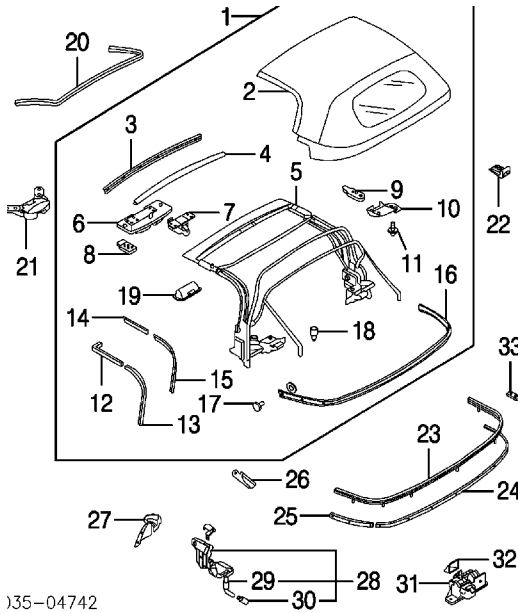
NAGS				
w/Attachment	R	#1.4	FD22734GTY	\$671.90
	L	#1.4	FD22735GTY	\$671.90
w/o Attachment	R	#1.4	FD22734GTN	\$470.60
	L	#1.4	FD22735GTN	\$470.60
#Includes R&R Module Assy				
2 Screw, Mtg (3/Side)¶	R		9076-14-620	\$2.77
	L		9076-14-620	\$2.77
3 Nut, Glass (a)¶	R		1243-58-543	\$2.45
	L		1243-58-543	\$2.45
4 Washer, Glass (a)¶	R		NA01-58-523	\$1.14
	L		NA01-58-523	\$1.14
(a) As Required				
5 Bolt, Glass (2/Side)¶	R		9079-76-616	\$1.75
	L		9079-76-616	\$1.75
6 Stopper, Glass (2/Side)¶	R		H001-58-546	\$3.32
	L		H001-58-546	\$3.32
7 Nut, Plate (3/Side)¶	R		NE51-58-543	\$6.45
	L		NE51-58-543	\$6.45
¶Included w/Door Glass Assy				
8 Stabilizer, Glass	R		NE51-58-921	\$15.81
	L		NE51-58-921	\$15.81
9 Cushion, Glass	R		W201-58-795	\$18.56
	L		W201-58-795	\$18.56
10 Stop, Glass (2/Side)	R		J002-58-910A	\$7.81
	L		J002-58-910A	\$7.81
11 Moulding Assy, Outer Belt-See Exterior Trim Section				
12 Mldg, Inner Belt-See Interior Trim Section				
13 Glass, Vent				
Mazda	R	#.5	NE51-58-661B	\$48.26
	L	#.5	NE51-59-661B	\$48.26
NAGS	R	#.5	FV22732GTN	\$210.50
	L	#.5	FV22733GTN	\$210.50
#w/Door Glass Removed				
14 Nut, Glass (2/Side)	R		1243-58-543	\$2.45
	L		1243-58-543	\$2.45
15 Washer, Glass (4/Side)	R		NE52-58-523	\$1.68
	L		NE52-58-523	\$1.68
16 Guide, Glass	R	#.3	NE51-58-601C	\$86.38
	L	#.3	NE51-59-601C	\$86.38
#w/Door Glass Removed				

2008 Mazda MX-5 Miata Touring Convertible

17 Channel, Glass	R		NE51-58-605D	\$77.20
	L		NE51-59-605D	\$76.42
18 Carrier Assy, Module-See Hardware Section				
19 Regulator, Window	R	#.5	NE51-58-590A	\$105.19
	L	#.5	NE51-59-590A	\$148.86
20 Motor, Regulator	R	#.5	NE51-58-58XA	\$116.98
	L	#.5	NE51-59-58XA	\$116.98
#R&R One Side Complete, w/Module Assy Removed				
21 Cover, Regulator Motor	R		C100-58-562	\$2.13
	L		C100-59-562	\$2.25

2008 Mazda MX-5 Miata Touring Convertible

CONVERTIBLE TOP



135-04742

R&I Convertible Top Assy

1	Top Assy, Convertible		3.5		
	Cloth				
	Black		3.5	NE61-R1-020V-02	\$6,743.13
	Tan	06-0	3.5	NE61-R1-020V-89	
		09-1	3.5	NE61-R1-020V-31	\$6,801.14
	Vinyl		3.5	NE59-R1-020W-02	\$5,451.73
2	Top, Convertible¶				
	Cloth				
	Black		#5.5	NE55-R1-210S-02	\$2,250.45
	Tan	06-0	#5.5	NE55-R1-210S-89	\$2,250.45
		09-1	#5.5	NE55-R1-210S-31	\$2,250.45
	Vinyl		#5.5	NE51-R1-210S-02	\$1,015.20
	#Includes R&R Frame				
3	Plate Set, Front¶			NE51-R1-291	\$30.16
4	Welt, Seam¶	R		NE51-R1-281A	\$17.04
		L		NE55-R1-281	\$17.04
5	Frame, Top¶		5.5	NE51-R1-100P	\$1,549.18
6	Cover, Latch¶			NE51-R1-3A5E	\$19.54
7	Latch, Top¶	06-0	.3	NE51-R1-3A0D	\$126.34
		09-1	.3	NE51-R1-3A0D	\$126.34
8	Striker, Catch¶		.2	NE51-R1-344A	\$10.71
9	Wedge, Adjustment¶				
	Male	R		NE51-R1-314C	\$45.85
		L		NE51-R1-314C	\$45.85
10	Cover, Wedge¶	R		NE51-R1-315A-02	\$29.44

2008 Mazda MX-5 Miata Touring Convertible

	L		NE51-R1-325A-02	\$29.44
11 Clip, Retainer¶	R		B467-68-AC3-02	\$1.65
	L		B467-68-AC3-02	\$1.65
12 W/Strip, Front¶	R	#.3	NE51-R1-411E	\$55.03
	L	#.3	NE51-R1-421E	\$55.03
13 W/Strip, Rear¶	R	#.3	NE51-R1-412F	\$105.02
	L	#.3	NE51-R1-422F	\$105.02
#R&R One Side Complete				
14 Retainer, Front W/Strip¶	R	#.4	NE51-R1-461B	\$41.31
	L	#.4	NE51-R1-471B	\$42.09
15 Retainer, Rear W/Strip¶	R	#.4	NE51-R1-462A	\$49.02
	L	#.4	NE51-R1-472A	\$51.47
#R&R One Side Complete				
16 Rail, Drip¶			NE51-R1-560E	\$424.90
17 Clip, Rail (13)¶			NE51-R1-234	\$1.55
18 Stopper, Cover¶	R		NE51-R1-981B	\$7.06
	L		NE51-R1-981B	\$7.06
19 Handle, Top¶				
No. 1			NE55-R1-331	\$7.78
No. 2			NE59-R1-331A	\$7.77
¶Included w/Convertible Top Assy				
20 W/Strip, Header-See Rocker/Pillars/Floor Section				
21 Striker, Latch				
4 Speaker System		.2	NE51-R1-3B0C	\$59.45
7 Speaker System		.2	N123-R1-3B0D	\$83.55
22 Wedge, Adjustment				
Female	R		NE51-R1-364B	\$59.75
	L		NE51-R1-374B	\$59.75
23 Moulding, Belt				
24 Plate Set, Center Rear				
25 Plate Set, Outer Rear				
	R		NE51-R1-582B	\$40.51
	L		NE51-R1-592B	\$40.51
26 Cover, Outer				
	R		NE55-R1-780C	\$9.37
	L		NE55-R1-790C	\$9.37
27 W/Strip, Side				
	R		NE51-R1-721L	\$29.29
	L		NE51-R1-731L	\$28.72
28 Drain Assy, Side				
	R		NE51-R1-780J	
	L		NE51-R1-790J	
29 Valve, Drain (a)				
	R		NE51-R1-789E	\$8.45
	L		NE51-R1-789E	\$8.45
30 Grommet, Drain (a)				
	R		NE51-R1-784E	\$8.20
	L		NE51-R1-784E	\$8.20

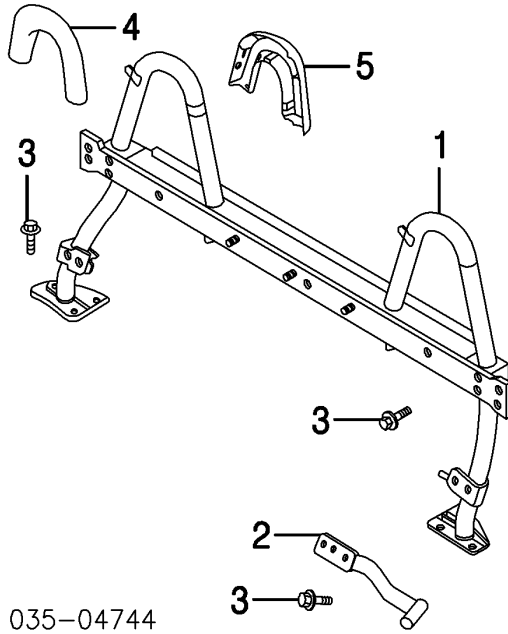
2008 Mazda MX-5 Miata Touring Convertible

(a) Included w/Side Drain Assy

31 Hook, Top		NE51-R1-341D	\$46.52
32 Lever, Release		NE51-R1-342B-02	\$7.15
33 Plate, Hook	R	NF79-R1-381D	\$27.97
	L	NF79-R1-391D	\$27.92

2008 Mazda MX-5 Miata Touring Convertible

ROLL BAR



035-04744

Refinish Rear Roll Bar Cover	R	.8		
	L	.8		
1 Bar, Roll				
w/Retractable Hardtop	07-0	#1.0	NE52-56-H1XC	\$352.60
	09-1	#1.0	NE52-56-H1XD	\$406.59
w/o Retractable Hardtop	06-0	#1.0	NE51-56-H1XD	\$391.81
	09-1	#1.0	NE51-56-H1XE	\$358.12
#w/Necessary Interior Trim Removed				
2 Bracket, Roll Bar	R		NE51-56-280A	\$51.65
	L		NE51-56-260A	\$51.65
3 Bolt, Attachment¶				
Type 1			9YA4-2A-804	\$1.82
Type 2			9YA4-2A-806	\$2.41
¶As Required				
4 Cover, Frt Roll Bar	R	#.2	NE51-69-712A-02	\$23.02
	L	#.2	NE51-69-722A-02	\$23.02
5 Cover, Rear Roll Bar				
Body Color				
Brilliant Black, (Code A3F)				
w/Storage	08-0	R #.2	NH75-69-732-PZ	
		L #.2	NH75-69-742-PZ	
w/o Storage	08-0	R #.2	NH73-69-732-PZ	

2008 Mazda MX-5 Miata Touring Convertible

	L	#.2	NH73-69-742-PZ	
Blue, (Code 33Y)				
w/Storage	08-0 R	#.2	NH75-69-732-19	
	L	#.2	NH75-69-742-19	
w/o Storage	08-0 R	#.2	NH73-69-732-19	
	L	#.2	NH73-69-742-19	
Marble White, (Code A5M)				
w/Storage	08-0 R	#.2	N.A.	
	L	#.2	N.A.	
w/o Storage	08-0 R	#.2	NH73-69-732-71	
	L	#.2	NH73-69-742-71	
Sunlight Silver, (Code 22V)				
w/Storage	08-0 R	#.2	NH73-69-732-67	
	L	#.2	NH73-69-742-67	
w/o Storage	08-0 R	#.2	NH75-69-732-67	
	L	#.2	NH75-69-742-67	
Textured Finish				
Black				
w/Retractable Hardtop	07-1 R	#.2	NG20-69-732-02	\$38.56
	L	#.2	NG20-69-742-02	\$38.56
w/o Retractable Hardtop	R	#.2	NE51-69-732D-02	\$28.48
	L	#.2	NE51-69-742D-02	\$28.48
Silver				
w/Retractable Hardtop	07-1 R	#.2	NG21-69-732A	\$144.77
	L	#.2	NG21-69-742A	\$144.77
w/o Retractable Hardtop	R	#.2	NE55-69-732D	\$166.07
	L	#.2	NE55-69-742D	\$164.04

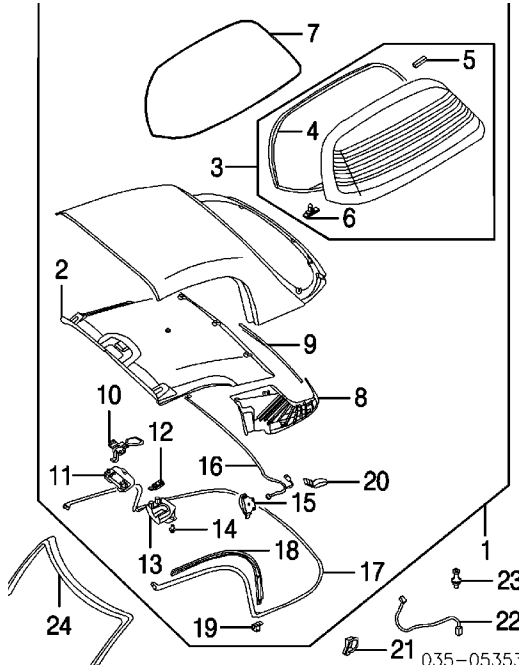
#R&R One Side Complete, Included in R&R Roll Bar

2008 Mazda MX-5 Miata Touring Convertible

HARDTOP

REMOVEABLE HARDTOP

2006-08



R&I Hardtop Assy	.5
Refinish Hardtop Assy Outside	3.0
Add to Edge Panel	.5
Add to Replace Hardtop Assy	
To Transfer Glass	.3

NOTE: All Parts in this section are included in R&R Top Panel Shell unless noted otherwise.

1 Hardtop Assy			
Brilliant Black, (Code A3F)	.5	NH52-V4-630-75	\$3,099.00
Copper Red, (Code 32V)	.5	NH52-V4-630-74	\$3,099.00
Galaxy Gray, (Code 32S)	.5	NH52-V4-630-91	\$3,099.00
Marble White, (Code A5M)	.5	NH52-V4-630-71	\$3,099.00
Nordic Green, (Code 27C)	.5	NH52-V4-630-97	\$3,099.00
Sunlight Silver, (Code 22V)	.5	NH52-V4-630-68	\$3,099.00
True Red, (Code A4A)	.5	NH52-V4-630-11	\$3,099.00
Velocity Red, (Code 27A)	.5	NH52-V4-630-87	\$3,099.00
Winning Blue, (Code 27B)	.5	NH52-V4-630-94	\$3,099.00
2 Headliner#	#	NF28-68-030C	\$521.05
#w/Hardtop Removed			

2008 Mazda MX-5 Miata Touring Convertible

3 Glass Assy, Back Window

Mazda	#2.5	NF28-63-930C	\$458.64
NAGS	#2.5	FB22736GTN	

#Includes Clean Up Old Adhesive as Necessary

4 Moulding, Glass (Non-Reuseable) (a)

5 Clip, Glass (8)		S09A-50-896A	\$2.72
6 Pin, Glass	R	FB01-63-959	\$14.89
	L	FB01-63-959	\$14.89

(a) Included w/Back Window Glass Assy

7 Dam, Glass		NA01-63-895A	\$18.28
8 Trim, Side	R	NF28-68-190B	\$105.65
	L	NF28-68-210B	\$105.65
9 Trim, Rear		NF28-R1-836A	\$436.81

10 Latch, Front

2006

To 7-11-05		NE51-R1-3A0D	\$126.34
From 7-11-05		NF28-R1-3A0	\$128.79
2007-08		NF28-R1-3A0	\$128.79

11 Cover, Latch		NF28-R1-3A5E	\$25.62
-----------------	--	--------------	---------

12 Wedge, Outer

2006

To 7-11-05	R	NE51-R1-314C	\$45.85
	L	NE51-R1-314C	\$45.85
From 7-11-05	R	NF28-R1-314A	
	L	NF28-R1-314A	
2007-08	R	NF28-R1-314A	
	L	NF28-R1-314A	

13 Cover, Wedge	R	NF28-R1-315A	\$29.69
	L	NF28-R1-325B	\$29.69

14 Clip, Cover	R	B467-68-AC3-02	\$1.65
	L	B467-68-AC3-02	\$1.65

15 Latch, Side	R	NF28-R1-840E	\$622.47
	L	NF28-R1-850E	\$622.47

16 Harness, Latch		NF28-67-SH1A	\$18.72
-------------------	--	--------------	---------

17 W/Strip, Hardtop		.5 NF28-R1-411D	\$289.86
---------------------	--	-----------------	----------

18 Retainer, Side	R	NF28-R1-882A	\$62.77
	L	NF28-R1-892A	\$62.77

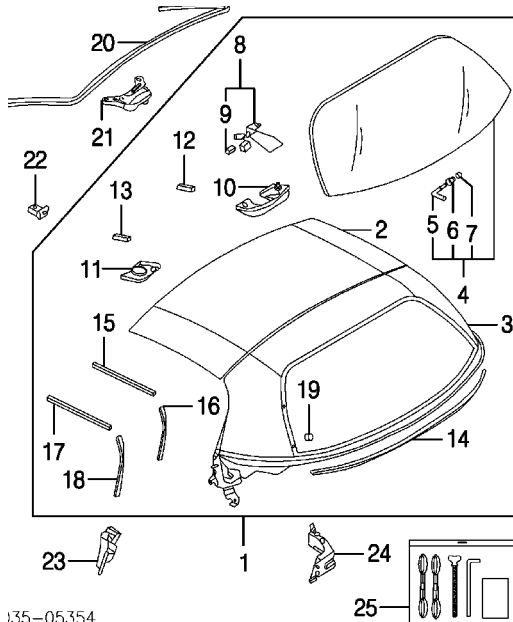
19 Clip, Weatherstrip	R	NF28-R1-412	\$52.99
	L	NF28-R1-422	\$52.99

20 Latch, Rear	R	#.3 NF28-R1-861C	\$56.80
----------------	---	------------------	---------

2008 Mazda MX-5 Miata Touring Convertible

		L	#.3	NF28-R1-871C	\$68.45
	¶Included w/Hardtop Assy				
21	Striker, Side	R	#.2	NF28-R1-841C	\$125.21
		L	#.2	NF28-R1-851C	\$125.21
	#w/Top Removed				
22	Harness, Jumper			NF77-67-SH0A	\$28.28
23	Hook, Latch	R		NF28-R1-38XB	\$42.20
		L		NF28-R1-38XB	\$42.20
24	W/Strip, Header-See Rocker/Pillars/Floor Section				

RETRACTABLE HARDTOP



135-05354

Refinish Hardtop

3.0

Refinish Tonneau Cover

1.6

1 Hardtop Assy

2006-08 (f)

To 6-22-06

Brilliant Black, (Code A3F)

5.6

NE52-R1-610L-PZ

Copper Red, (Code 32V)

5.6

NE52-R1-610L-74

Galaxy Gray, (Code 32S)

5.6

NE52-R1-610L-91

Highland Green, (Code 35K)

5.6

NE52-R1-610L-77

Stormy Blue, (Code 35J)

5.6

NE52-R1-610L-12

2008 Mazda MX-5 Miata Touring Convertible

Sunlight Silver, (Code 22V)	5.6	NE52-R1-610L-68	
True Red, (Code A4A)	5.6	NE52-R1-610L-11	
From 6-22-06 to 7-5-06			
Brilliant Black, (Code A3F)	5.6	NE52-R1-610M-PZ	
Copper Red, (Code 32V)	5.6	NE52-R1-610M-74	
Galaxy Gray, (Code 32S)	5.6	NE52-R1-610M-91	
Highland Green, (Code 35K)	5.6	NE52-R1-610M-77	
Stormy Blue, (Code 35J)	5.6	NE52-R1-610M-12	
Sunlight Silver, (Code 22V)	5.6	NE52-R1-610M-68	
True Red, (Code A4A)	5.6	NE52-R1-610M-11	
From 7-5-06			
Blue, (Code 33Y)	5.6	NE52-R1-610W-19	\$7,731.35
Brilliant Black, (Code A3F)	5.6	NE52-R1-610W-PZ	\$7,731.35
Copper Red, (Code 32V)	5.6	NG91-R1-610C-74	\$7,731.35
Galaxy Gray, (Code 32S)	5.6	NE52-R1-610W-91	\$7,731.35
Highland Green, (Code 35K)	5.6	NE52-R1-610W-77	\$7,731.35
Stormy Blue, (Code 35J)	5.6	NG91-R1-610C-12	\$7,731.35
Sunlight Silver, (Code 22V)	5.6	NE52-R1-610P-68	
True Red, (Code A4A)	5.6	NE52-R1-610W-11	\$7,731.35
2009-10			
Aluminum Metallic, (Code 38P)	5.6	NG91-R1-610J-50	\$7,819.32
Brilliant Black, (Code A3F)	5.6	NG91-R1-610J-PZ	\$7,731.35
Copper Red, (Code 32V)	5.6	NG91-R1-610J-74	\$7,731.35
Metropolitan Gray, (Code 36C)	5.6	NG91-R1-610J-86	\$7,819.32
Stormy Blue, (Code 35J)	5.6	NG91-R1-610J-12	\$7,731.35
Sunflower Yellow, (Code A6Y)	5.6	NG91-R1-610J-63	\$7,819.32
True Red, (Code A4A)	5.6	NG91-R1-610J-11	\$7,731.35

2 Panel, Front Roof

2006-08 (f)

2008 Mazda MX-5 Miata Touring Convertible

Blue, (Code 33Y)	#.5	NE52-R1-630E-19	\$1,893.70
Brilliant Black, (Code A3F)	#.5	NE52-R1-630E-PZ	\$1,952.17
Copper Red, (Code 32V)	#.5	NE52-R1-630E-74	\$1,973.77
Galaxy Gray, (Code 32S)	#.5	NE52-R1-630E-91	\$1,973.77
Highland Green, (Code 35K)	#.5	NE52-R1-630E-77	\$1,952.17
Stormy Blue, (Code 35J)	#.5	NE52-R1-630E-12	\$1,952.17
Sunlight Silver, (Code 22V)	#.5	NE52-R1-630E-68	\$1,893.70
True Red, (Code A4A)	#.5	NE52-R1-630E-11	\$1,952.17

2009-10

Aluminum Metallic, (Code 38P)	#.5	NE52-R1-630E-50	\$1,973.77
Brilliant Black, (Code A3F)	#.5	NE52-R1-630E-PZ	\$1,952.17
Copper Red, (Code 32V)	#.5	NE52-R1-630E-74	\$1,973.77
Metropolitan Gray, (Code 36C)	#.5	NE52-R1-630E-86	\$1,973.77
Stormy Blue, (Code 35J)	#.5	NE52-R1-630E-12	\$1,952.17
Sunflower Yellow, (Code A6Y)	#.5	NE52-R1-630E-63	\$1,973.77
True Red, (Code A4A)	#.5	NE52-R1-630E-11	\$1,952.17

(f) Order by Application

3 Panel, Rear Roof

2006-08

To 6-22-06

Blue, (Code 33Y)	#.9	NE52-R1-660D-19	\$3,695.93
Brilliant Black, (Code A3F)	#.9	NE52-R1-660D-PZ	\$3,808.77
Copper Red, (Code 32V)	#.9	NE52-R1-660D-74	\$3,695.93
Galaxy Gray, (Code 32S)	#.9	NE52-R1-660D-91	\$3,699.07
Highland Green, (Code 35K)	#.9	NE52-R1-660D-77	\$3,808.77
Stormy Blue, (Code 35J)	#.9	NE52-R1-660D-12	\$3,695.93
Sunlight Silver, (Code 22V)	#.9	NE52-R1-660-68	
True Red, (Code A4A)	#.9	NE52-R1-660D-11	\$3,808.77

From 6-22-06

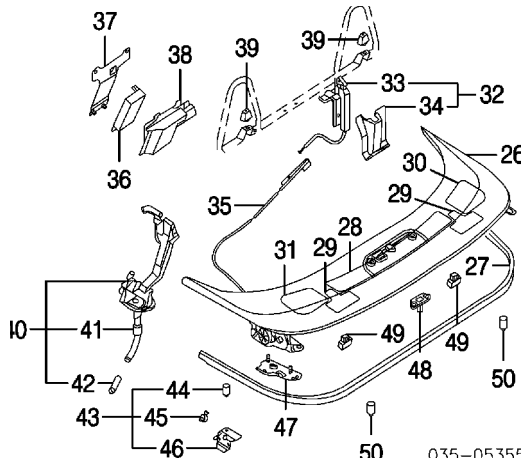
Blue, (Code 33Y)	#.9	NE52-R1-660D-19	\$3,695.93
Brilliant Black, (Code A3F)	#.9	NE52-R1-660D-PZ	\$3,808.77

2008 Mazda MX-5 Miata Touring Convertible

Copper Red, (Code 32V)	#.9	NE52-R1-660D-74	\$3,695.93
Galaxy Gray, (Code 32S)	#.9	NE52-R1-660D-91	\$3,699.07
Highland Green, (Code 35K)	#.9	NE52-R1-660D-77	\$3,808.77
Stormy Blue, (Code 35J)	#.9	NE52-R1-660D-12	\$3,695.93
Sunlight Silver, (Code 22V)	#.9	NE52-R1-660D-68	\$3,695.93
True Red, (Code A4A)	#.9	NE52-R1-660D-11	\$3,808.77
2009-10			
Aluminum Metallic, (Code 38P)	#.9	NE52-R1-660D-50	\$3,695.93
Brilliant Black, (Code A3F)	#.9	NE52-R1-660D-PZ	\$3,808.77
Copper Red, (Code 32V)	#.9	NE52-R1-660D-74	\$3,695.93
Metropolitan Gray, (Code 36C)	#.9	NE52-R1-660D-86	\$3,695.93
Stormy Blue, (Code 35J)	#.9	NE52-R1-660D-12	\$3,695.93
Sunflower Yellow, (Code A6Y)	#.9	NE52-R1-660D-63	\$3,695.93
True Red, (Code A4A)	#.9	NE52-R1-660D-11	\$3,808.77
4 Glass Assy, Back Window¶	#.5	NE52-63-930F	\$1,291.54
#w/Hardtop Removed			
5 Hose, Drain (2) (a)¶		NE52-69-922A	\$15.14
6 Grommet, Drain (2) (a)¶		NG20-R1-784A	\$4.31
7 Cap, Connector (2) (a)¶		NE52-R1-785A	\$2.24
(a) Included w/Back Window Glass Assy			
8 Latch Assy, Front¶		NE52-R1-3A0D	\$126.58
9 Cap, Latch (b)¶		NE51-R1-311	\$11.77
(b) Included w/Front Latch Assy			
10 Cover, Frt Latch¶		NE52-R1-3A5	\$39.27
11 Cover, Wedge¶	R	NE52-R1-315	\$54.31
	L	NE52-R1-325	\$54.31
12 Wedge, Latch Guide¶		NE52-R1-31X	\$64.07
13 Wedge, Male¶	R	NE52-R1-314A	\$77.28
	L	NE52-R1-314A	\$77.28
14 Tape, Protective (No. 1)¶	R	NG25-R1-182	\$6.55
	L	NG25-R1-182	\$6.55
15 Retainer, W/Strip Upper¶	R	NE52-R1-460	\$42.09
	L	NE52-R1-470	\$40.52

2008 Mazda MX-5 Miata Touring Convertible

16 Retainer, W/Strip Rear¶¶	R		NE52-R1-462	\$51.47
	L		NE52-R1-472	\$51.47
17 W/Strip, Upper/Side¶¶	R		NE52-R1-411C	\$65.71
	L		NE52-R1-421C	\$64.46
18 W/Strip, Side Rear¶¶	R		NE52-R1-415C	\$430.35
	L		N.A.	
19 Cap, Nut¶¶			NE52-R1-311	\$4.78
¶¶Included w/Hardtop Assy				
Drive, Folding Top	R	#3.4	NE52-R1-6M1	\$401.64
	L	#3.4	NE52-R1-6M2	\$401.64
#R&R Both 4.4				
20 W/Strip, Header-See Rocker/Pillars/Floor Section				
21 Striker, Latch Front			N123-R1-3B0D	\$83.55
22 Wedge, Female	R		NE51-R1-364B	\$59.75
	L		NE51-R1-374B	\$59.75
23 W/Strip, Side	R		NE52-R1-721C	\$55.22
	L		NE52-R1-731C	\$55.22
24 Bracket, Rear Side	R		NE52-R1-150E	\$207.13
	L		NE52-R1-160E	\$204.17
25 Tool Set			NE52-69-924	\$110.39



26 Cover, Tonneau				
2006-08 (f)				
Blue, (Code 33Y)	.6		NE52-R1-931-19	\$2,036.17
Brilliant Black, (Code A3F)	.6		NE52-R1-931-PZ	\$2,036.17
Copper Red, (Code 32V)	.6		NE52-R1-931-74	\$2,036.17
Crystal Silver, (Code 22V)	.6		NE52-R1-931A-68	\$2,036.17
Galaxy Gray, (Code 32S)	.6		NE52-R1-931-91	\$2,055.14

2008 Mazda MX-5 Miata Touring Convertible

Highland Green, (Code 35K)		.6	NE52-R1-931-77	\$2,036.17
Radiant Ebony, (Code 28W)		.6	NE52-R1-931-88	\$2,036.17
Stormy Blue, (Code 35J)		.6	NE52-R1-931-12	\$2,036.17
True Red, (Code A4A)		.6	NE52-R1-931-11	\$2,036.17
2009-10				
Aluminum Metallic, (Code 38P)		.6	NE52-R1-931A-50	\$2,055.14
Brilliant Black, (Code A3F)		.6	NE52-R1-931A-PZ	\$2,238.39
Copper Red, (Code 32V)		.6	NE52-R1-931A-74	\$2,238.39
Metropolitan Gray, (Code 36C)		.6	NE52-R1-931A-86	\$2,238.39
Stormy Blue, (Code 35J)		.6	NE52-R1-931A-12	\$2,238.39
Sunflower Yellow, (Code A6Y)		.6	NE52-R1-931A-63	\$2,238.39
True Red, (Code A4A)		.6	NE52-R1-931A-11	\$2,238.39
(f) Order by Application				
27 W/Strip, Rear			NE52-R1-761D	\$154.01
28 Tape, Protective (No. 2)			NG22-R1-182	\$29.86
29 Tape, Protective (No. 3)	R		NG26-R1-182	\$10.99
	L		NG26-R1-182	\$10.99
30 Tape, Protective (No. 4)			NG20-R1-182	\$10.35
31 Tape, Protective (No. 5)			NG21-R1-182	\$9.37
32 Hook Assy			NE52-R1-3E0C-02	\$199.28
33 Hook, Tonneau Cover (c)			NE52-R1-3F0	\$365.41
34 Cover, Hook (c)			NE52-R1-3E5A-02	\$28.48
(c) Included w/Hook Assy				
35 Cable, Release			NE52-R1-9H0	\$185.34
36 Control Unit			NE52-R1-9A0D	\$346.89
37 Bracket, Control Unit			NE52-R1-9A1A	\$43.37
38 Cover, Control Unit			NE52-R1-9A3A	\$164.75
39 Stopper, Roof	R		NE52-R1-985B	\$8.11
	L		NE52-R1-985B	\$8.11
40 Drain Assy, Side	06-0 R		NE52-R1-780D	
	L		NE52-R1-790D	
	09-1 R		NE52-R1-780E	\$170.54
	L		NE52-R1-790E	\$168.26
41 Valve, Drain (d)	R		NE51-R1-789E	\$8.45
	L		NE51-R1-789E	\$8.45
42 Connector, Drain Hose (d)	R		NE51-R1-784E	\$8.20
	L		NE51-R1-784E	\$8.20

(d) Included w/Side Drain Assy

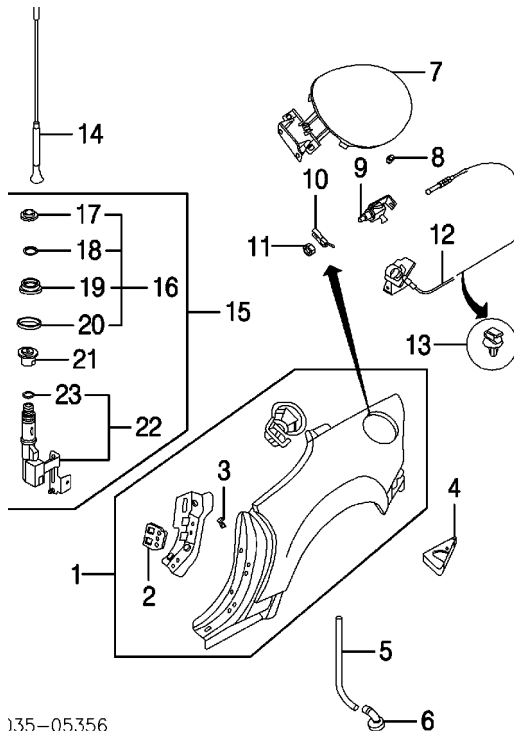
2008 Mazda MX-5 Miata Touring Convertible

43 Bracket Assy, Stopper	R	NE52-R1-9C0A	\$30.21
	L	NE52-R1-9D0A	\$31.31
44 Stopper, Tonneau Side (e)	R	NE52-R1-982A	\$6.17
	L	NE52-R1-982A	\$6.17
45 Clip (e)	R	NE52-R1-997	\$1.55
	L	NE52-R1-997	\$1.55
46 Bracket, Stopper (e)	R	N.A.	
	L	N.A.	
(e) Included w/Stopper Bracket Assy			
47 Brkt, Tonneau Cover	R	N.A.	
	L	N.A.	
48 Wedge, Centering		NE52-R1-9B1B	\$10.49
49 Stopper	R	NE52-R1-993B	\$9.58
	L	NE52-R1-993B	\$9.58
50 Stopper, Roof	R	NE52-R1-981A	\$11.27
	L	NE52-R1-981A	\$11.27

QUARTER PANEL

Procedures 20 and 28

SHEET METAL/EXTERIOR TRIM



135-05356

Refinish Quarter Outside

R 2.1

L 2.1

Add for Lock Pillar

R .5

L .5

Add to Edge Panel

R .5

L .5

Refinish Fuel Door

L #.5

#Included in Refinish Left Quarter Panel

Add for Inside

L .2

Refinish Antenna Assy

.5

R&I Antenna

#.5

#Includes R&I/R&R Antenna Mast

R&R Both Quarter Panels

24.8

R&R Rear Body Panel & Both Quarter Panels

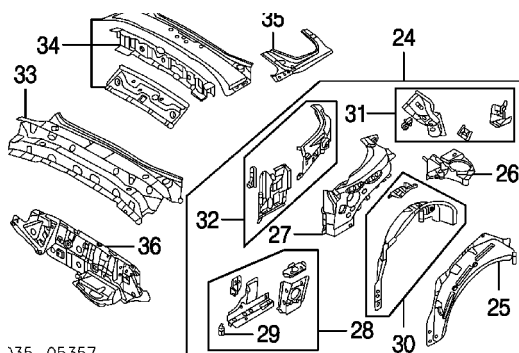
30.5

Add to R&R Quarter Panel

2008 Mazda MX-5 Miata Touring Convertible

Metropolitan Gray, (Code 36C)	R	#.5	NH18-66-930A-86	\$313.03
Stormy Blue, (Code 35J)	R	#.5	NH18-66-930A-12	\$313.03
Sunflower Yellow, (Code A6Y)	R	#.5	NH18-66-930A-63	\$313.03
True Red, (Code A4A)	R	#.5	NH18-66-930A-11	\$313.03
w/o Bluetooth	R	#.5	NF79-66-930C	\$84.29
#Includes R&I/R&R Antenna Mast				
16 Mounting Kit (b)				
		2006		
To 9-20-05	R		NF79-66-A9YA	\$11.46
From 9-20-05	R		NF79-66-A9YB	\$11.46
2007-10	R		NF79-66-A9YB	\$11.46
17 Nut, Mounting (b) (c)				
		2006		
To 9-20-05	R		NF79-66-A31	\$7.96
From 9-20-05	R		NF79-66-A31A	\$7.96
2007-10	R		NF79-66-A31A	\$7.96
18 Seal, Antenna Upper (b) (c)	R		FB01-66-A32	\$2.45
19 Cap, Antenna (b) (c)				
		2006		
To 9-20-05	R		NF79-66-A32A	\$3.24
From 9-20-05	R		NF79-66-A32B	\$3.24
2007-10	R		NF79-66-A32B	\$3.24
20 Insulator, Antenna (b) (c)	R		NF79-66-A34	
(c) Included w/Mounting Kit				
21 Plate, Antenna (b)	R		NF79-66-A3Z	\$8.25
22 Base Assy, Antenna (b)	R		NF79-66-A9X	\$93.26
23 Seal, Antenna Lower (b) (d)	R		HE02-66-A94	\$2.92
(b) Included w/Antenna Assy				
(d) Included w/Antenna Base Assy				

2008 Mazda MX-5 Miata Touring Convertible



24 Panel Assy, Inner Quarter w/Retractable Hardtop	07-0 R	7.0 NEY2-70-100A	\$602.15
	L	7.0 NEY2-71-100A	\$653.11
	09-1 R	7.0 NGY1-74-9A0B	\$654.52
	L	7.0 NGY1-74-9B0A	\$654.52
w/o Retractable Hardtop	R	7.0 NFY9-70-100P	\$653.11
	L	7.0 NFY9-71-100M	\$653.11
25 Wheelhouse, Outer (e)	R	3.0 NF79-70-111A	\$189.62
	L	3.0 NF79-71-111A	\$207.49
26 Reinf, Upper (e) w/Retractable Hardtop	07-1 R	1.0 NE52-70-115	\$24.26
	L	1.0 NE52-71-11Y	\$24.26
w/o Retractable Hardtop	R	1.0 NF79-70-115	\$24.26
	L	1.0 NF79-71-11Y	\$24.26
27 Panel, Inner (e) w/Retractable Hardtop	07-1 R	1.5 NE52-70-11Z	\$89.18
	L	1.5 NE52-71-11Z	\$89.18
w/o Retractable Hardtop	R	1.5 NF79-70-11Z	\$89.18
	L	1.5 NF79-71-11Z	\$89.18
28 Panel Assy, Lower Inner Quarter (e)	R	NE51-70-1AXA	\$84.63
	L	NE51-71-1AXA	\$84.63
29 Reinf, Side Panel (e) (f)	R	NE51-70-273A	\$8.82
	L	NE51-71-273A	\$8.82

(f) Included w/Lower Inner Quarter Panel Assy

30 Wheelhouse, Inner (e)-Serviced w/Inner Quarter Panel Assy

31 Plate, Qtr Panel End (e)-Serviced w/Inner Quarter Panel Assy

32 Reinforcement, Inner Panel (e)-Serviced w/Inner Quarter Panel Assy

2008 Mazda MX-5 Miata Touring Convertible

(e) Included w/Inner Quarter Panel Assy

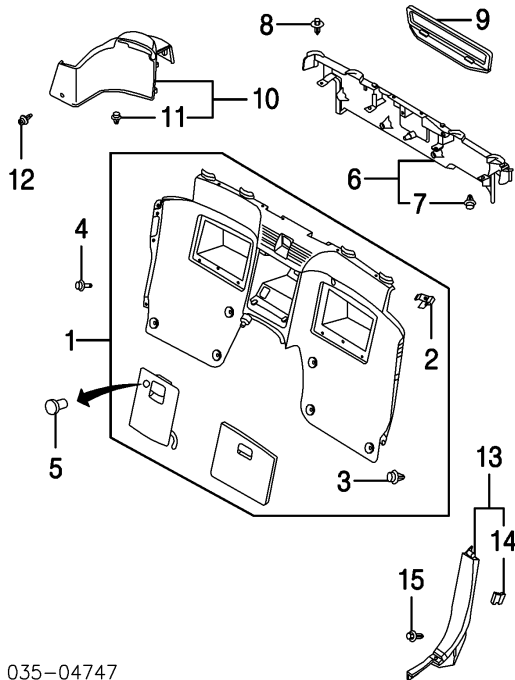
Tray, Package

33	w/Retractable Hardtop	07-0	#4.5	NE52-70-500	\$206.17
		09-1	#4.5	NE52-70-500A	\$210.17
34	w/o Retractable Hardtop		#4.5	NF79-70-500D	\$176.18

#Deduct 1.0 for Each Outer Quarter Panel Assy Removed

35	Panel, Drain	w/Retractable Hardtop	07-1	R	2.0	NE52-70-441A	\$65.49
				L	2.0	NE52-71-441A	\$65.49
	w/o Retractable Hardtop		R	2.0	NF79-70-440D	\$113.50	
			L	2.0	NF79-71-440D	\$113.50	
36	Bulkhead					NE51-56-5EXG	\$149.50

INTERIOR TRIM



035-04747

1 Panel Assy, Front Trim

		2006			
w/Lid			#.4	NE59-68-78XM-02	\$429.45
w/o Lid					
To 6-13-06			#.4	NE51-68-78XK-02	\$420.14
From 6-13-06			#.4	NE51-68-78XF-02	
		2007			
w/Retractable Hardtop					
To 7-17-06			#.4	NE52-68-78XJ-02	\$840.79

2008 Mazda MX-5 Miata Touring Convertible

From 7-17-06	#.4	NE52-68-78XJ-02	\$840.79
w/o Retractable Hardtop			
w/Lid	#.4	NE59-68-78XM-02	\$429.45
w/o Lid			
To 7-17-06	#.4	NE51-68-78XF-02	
From 7-17-06	#.4	NE51-68-78XG-02	
		2008	
w/Retractable Hardtop			
From 7-17-06	#.4	NE52-68-78XJ-02	\$840.79
w/o Retractable Hardtop			
w/Lid	#.4	NE59-68-78XM-02	\$429.45
w/o Lid			
From 7-17-06	#.4	NE51-68-78XG-02	
2009-10			
w/Retractable Hardtop	#.4	NE52-68-78XJ-02	\$840.79
w/o Retractable Hardtop	#.4	NE59-68-78XM-02	\$429.45
#w/Rear Trim Panel Removed			
Clip, Trim Panel			
2 Type 1, (5)¶		LB82-64-345	\$1.50
3 Type 2, (5)¶		GJ6A-68-AB1	\$0.68
4 Type 3, (8)		GJ21-68-885B-02	\$0.99
¶Included w/Front Trim Panel Assy			
5 Cylinder, Lock		GE4T-64-09YB-00	\$6.17
6 Panel Assy, Rear Trim			
w/Retractable Hardtop	07-1	.3 NE52-68-3T0B-02	\$133.65
w/o Retractable Hardtop		.3 NE51-68-3T0C-02	\$66.79
Clip, Trim			
7 Type 1, (4) (a)		GJ6A-68-AB1	\$0.68
(a) Included w/Rear Trim Panel Assy			
8 Type 2, (4)		GJ21-68-885B-02	\$0.99
9 Deflector, Air			
w/Retractable Hardtop	07-1	.2 NE52-68-3X0C-02	\$263.66
w/o Retractable Hardtop		.2 NE51-68-3X0D-02	\$116.63
10 Panel Assy, Upper Quarter Trim			
w/Retractable Hardtop	07-1 R	.2 NE52-68-520B-02	\$37.12
	L	.2 NE52-68-550B-02	\$38.99
w/o Retractable Hardtop			
w/Deck Hook	R	.2 NF28-68-520F-02	\$66.35
	L	.2 NF28-68-550F-02	\$77.91
w/o Deck Hook	R	.2 NE51-68-520F-02	\$29.66
	L	.2 NE51-68-550F-02	\$34.83

2008 Mazda MX-5 Miata Touring Convertible

Clip, Trim Panel

11	Type 1 (b)	R		GE4T-68-865A	\$0.49
		L		GE4T-68-865A	\$0.49
12	Type 2	R		B499-68-AC3A-00	\$1.65
		L		B499-68-AC3A-00	\$1.65

(b) Included w/Upper Quarter Trim Panel Assy

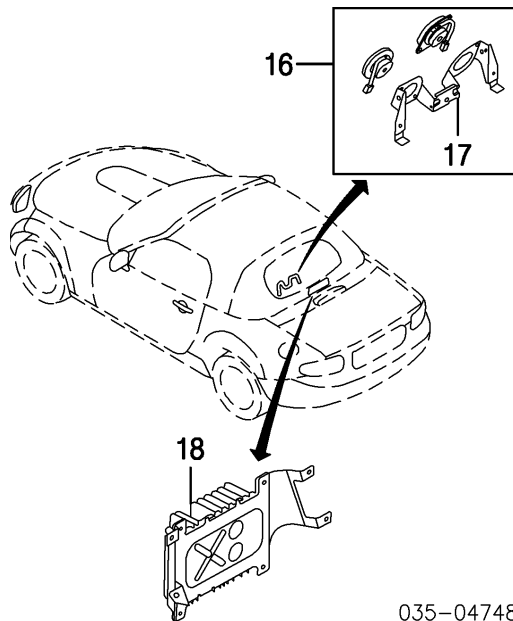
13	Panel Assy, Lower Quarter Trim	R	#.4	NE51-68-760F-02	\$49.05
		L	#.4	NE51-68-770F-02	\$49.05

#Includes R&R Scuff Plates

Clip, Panel

14	Type 1, (2/Side) (c)	R		GA2A-68-712	\$1.46
		L		GA2A-68-712	\$1.46
15	Type 2, (3/Side)	R		GJ21-68-885B-02	\$0.99
		L		GJ21-68-885B-02	\$0.99

(c) Included w/Lower Quarter Trim Panel Assy



16 Speaker Assy, Center Radio

	6 Speaker System	#.4		NE53-66-960A	\$135.74
	7 Speaker System	#.4		NE64-66-960A	\$187.57
17	Bracket, Speaker (d)				
	7 Speaker System	#.4		NF47-66-9B0A	\$30.98

2008 Mazda MX-5 Miata Touring Convertible

(d) Included w/Center Radio Speaker Assy

#R&R Complete

18 Amplifier, Radio

7 Speaker System

w/Retractable Hardtop

07-1

.5 NG20-66-92X

w/o Retractable Hardtop

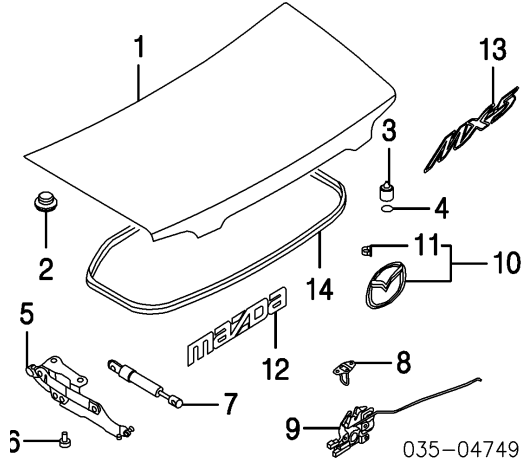
.5 NE61-66-920A

\$949.55

2008 Mazda MX-5 Miata Touring Convertible

LUGGAGE LID

Procedures 24 and 28



Refinish Luggage Lid Outside

2.2

Add for Underside

1.1

Refinish Hinge

R

.5

L

.5

R&I Luggage Lid

.4

1 Lid, Luggage (Alum)

2006-08

w/Retractable Hardtop

07-0

1.1 NEY2-52-61XB

\$759.16

w/o Retractable Hardtop

1.1 NFY9-52-61XA

\$759.16

2009-10

w/Retractable Hardtop

w/Bluetooth

1.1 NHY9-52-61XB

\$510.69

w/o Bluetooth

1.1 NEY2-52-61XB

\$759.16

w/o Retractable Hardtop

w/Bluetooth

1.1 NHY8-52-61XB

\$510.69

w/o Bluetooth

1.1 NFY9-52-61XA

\$759.16

2 Plug, Hole

.1 B499-62-868

\$1.26

3 Bumper, Lid

R

.1 GM9E-62-877

\$1.13

L

.1 GM9E-62-877

\$1.13

4 Tape, Protector

R

G043-62-864A

\$1.70

L

G043-62-864A

\$1.70

5 Hinge

w/Retractable Hardtop

07-1 R #.3

NE52-52-710C

\$71.35

L #.3

NE52-52-720C

\$71.35

w/o Retractable Hardtop

06-0 R #.3

NF79-52-710B

\$71.35

L #.3

NF79-52-720B

\$70.62

09-1 R #.3

NF79-52-710C

\$71.35

L #.3

NF79-52-720C

\$71.35

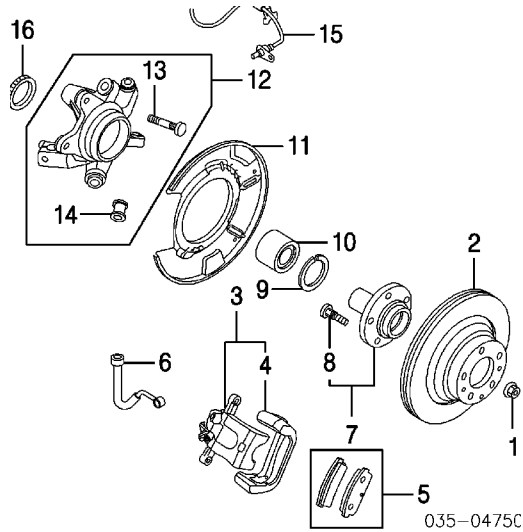
2008 Mazda MX-5 Miata Touring Convertible

#w/Luggage Lid Removed					
6	Bumper, Hinge	R		.1 BN8V-56-802	\$5.32
		L		.1 BN8V-56-802	\$5.32
7	Strut, Lid Opening				
	w/Retractable Hardtop	07-1	R	#.3 NE52-56-930	\$28.64
			L	#.3 NE52-56-930	\$28.64
	w/o Retractable Hardtop		R	#.3 NF79-56-930C	\$24.43
			L	#.3 NF79-56-930C	\$24.43
#R&R Both .5, w/Luggage Lid Removed Deduct .2					
8	Striker, Lid			.3 NE51-56-840	\$17.14
9	Latch, Luggage Lid-See Rear Body Section				
10	Emblem Assy				
	w/Retractable Hardtop	07-1		.2 NG20-51-730	\$18.04
	w/o Retractable Hardtop			.2 NF79-51-730	\$15.24
11	Clip, Emblem (2)¶			LA01-51-958	\$1.19
	¶Included w/Emblem Assy				
	Nameplate (Adhesive)				
12	"MAZDA"			.2 NF79-51-711	\$14.26
13	"MX-5"			.2 NF79-51-721	\$20.88
14	W/Strip, Lid (On Body)				
	w/Retractable Hardtop	07-1		.5 NE52-56-951B	\$82.23
	w/o Retractable Hardtop			.5 NF79-56-951	\$48.51

2008 Mazda MX-5 Miata Touring Convertible

REAR SUSPENSION

Procedure 23



R&I Suspension/Differential Assy		4.4
R&I Suspension (One Side)	R	2.8
	L	2.8
O/H Suspension (Includes R&I)		
One Side (Includes R&I)	R	5.2
	L	5.2
Both Sides (Includes R&I)		9.8
Adjust Four Wheel Alignment		2.1
Adjust Rear Alignment		1.3
Bleed Brake System		
w/ABS		.6
w/o ABS		.3

NOTE 1: R&I/R&R or O/H Does Not include alignment or bleed brake system.

NOTE 2: All Parts in this section are included in overhaul unless noted otherwise.

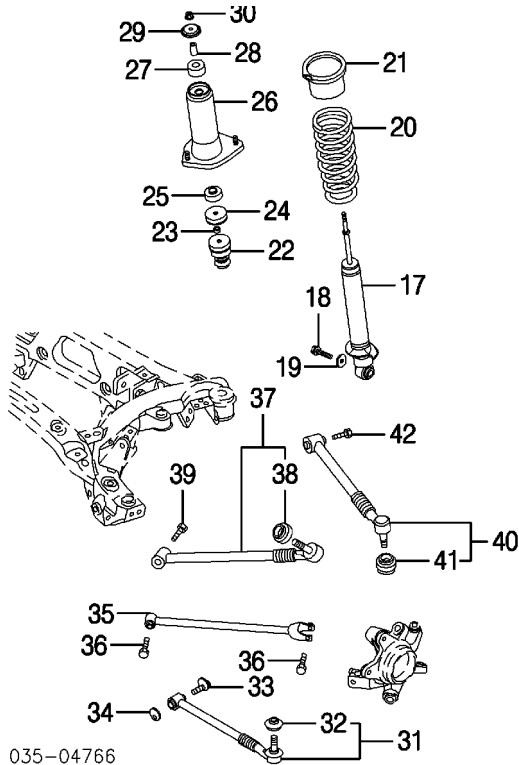
1 Nut, Axle-See Rear Drive Axle Section

2 Rotor, Brake	R	#.6	N123-26-251A	\$104.08
	L	#.6	N123-26-251A	\$104.08
#R&R Both 1.0				
3 Caliper Assy, Brake	R	#.5	NFZ7-26-98Z	\$386.99
	L	#.5	NFZ7-26-99Z	\$283.35
4 Brkt, Caliper	R	#.5	NF47-26-281	\$54.11

2008 Mazda MX-5 Miata Touring Convertible

	L	#.5	NF47-26-281	\$54.11
¶Included w/Brake Caliper Assy				
#R&R One Side Complete, w/Rotor Removed Deduct .3				
5 Pad Set, Brake		#1.0	NFY7-26-43Z	\$82.25
#Deduct .5 for Each Caliper Removed				
6 Hose, Brake	R	#.3	NF47-43-810A	\$80.13
	L	#.3	NF47-43-810A	\$80.13
#w/Caliper Removed Deduct .2				
7 Hub Assy, Rear	R	#2.7	NE51-26-240A	\$83.81
	L	#2.7	NE51-26-240A	\$83.81
8 Stud, Lug (5/Side) (a)	R		B455-33-062	\$4.93
	L		B455-33-062	\$4.93
(a) Included w/Rear Hub Assy				
9 Ring, Retainer	R	#2.7	GE4T-33-048	\$8.03
	L	#2.7	GE4T-33-048	\$8.03
10 Bearing, Hub	R	#2.7	FB01-26-151E	
	L	#2.7	FB01-26-151E	
11 Shield, Splash	R	#2.7	NF47-26-261A	\$13.14
	L	#2.7	NF47-26-261A	\$13.14
12 Knuckle Assy	R	#2.7	NE51-26-11XC	\$441.82
	L	#2.7	NE51-26-12XC	\$588.85
#R&R One Side Complete, Includes R&R Rotor, R&R Both Sides 5.2				
13 Stud, Mounting (b)	R		F151-26-118	\$20.77
	L		F151-26-118	\$20.77
14 Bushing, Mtg (b)	R	#.3	NE51-28-430	\$8.60
	L	#.3	NE51-28-430	\$8.60
(b) Included w/Knuckle Assy				
#w/Knuckle Removed				
15 Sensor, Rear ABS-See ABS/Brakes Section				
16 Rotor, Rear Sensor-See ABS/Brakes Section				

2008 Mazda MX-5 Miata Touring Convertible



035-04766

17 Strut, Rear

2006-08

w/Retractable Hardtop

w/Run Flat Tires

07-0 R	#1.6	NG22-28-700	\$111.94
L	#1.6	NG22-28-700	\$111.94

w/o Run Flat Tires

Std Susp

16" Wheels

07-0 R	#1.6	NG20-28-700A	\$84.63
L	#1.6	NG20-28-700A	\$84.63

17" Wheels

07-0 R	#1.6	NG21-28-700A	\$85.40
L	#1.6	NG21-28-700A	\$85.40

Sport Susp

07-0 R	#1.6	NG24-28-700B	\$225.07
L	#1.6	NG24-28-700B	\$225.07

w/o Retractable Hardtop

w/Run Flat Tires

R	#1.6	NG14-28-700A	\$123.13
L	#1.6	NG14-28-700A	\$123.13

w/o Run Flat Tires

Std Susp

16" Wheels

R	#1.6	N121-28-700	\$93.10
L	#1.6	N121-28-700	\$93.10

17" Wheels

R	#1.6	NE51-28-700C	\$121.13
L	#1.6	NE51-28-700C	\$121.13

Sport Susp

R	#1.6	NF53-28-700C	\$220.87
---	------	--------------	----------

2008 Mazda MX-5 Miata Touring Convertible

	L	#1.6	NF53-28-700C	\$220.87
2009-10				
w/Retractable Hardtop				
w/Run Flat Tires	R	#1.6	NG22-28-700	\$111.94
	L	#1.6	NG22-28-700	\$111.94
w/o Run Flat Tires				
w/LSD	R	#1.6	NH47-28-700A	\$225.78
	L	#1.6	NH47-28-700A	\$225.78
w/o LSD	R	#1.6	NG21-28-700A	\$85.40
	L	#1.6	NG21-28-700A	\$85.40
w/o Retractable Hardtop				
w/Run Flat Tires	R	#1.6	NG14-28-700A	\$123.13
	L	#1.6	NG14-28-700A	\$123.13
w/o Run Flat Tires				
w/LSD	R	#1.6	NH46-28-700	\$225.78
	L	#1.6	NH46-28-700	\$225.78
w/o LSD	R	#1.6	NE51-28-700C	\$121.13
	L	#1.6	NE51-28-700C	\$121.13
18 Bolt, Strut Mtg	R		9YA0-2A-205	\$6.54
	L		9YA0-2A-205	\$6.54
19 Washer, Mtg	R		F151-28-999	\$5.08
	L		F151-28-999	\$5.08
20 Spring, Coil				
2006-08				
w/Retractable Hardtop				
w/ABS	07-0 R	#1.6	NG21-28-011	\$80.92
	L	#1.6	NG21-28-011	\$80.92
w/o ABS	07-0 R	#1.6	NG20-28-011	
	L	#1.6	NG20-28-011	
w/o Retractable Hardtop				
16" Wheels	R	#1.6	NE51-28-011A	\$93.44
	L	#1.6	NE51-28-011A	\$93.44
17" Wheels	R	#1.6	N133-28-011	\$93.44
	L	#1.6	N133-28-011	\$93.44
2009-10				
w/Retractable Hardtop				
Man Trans	R	#1.6	N163-28-011	\$93.44
	L	#1.6	N163-28-011	\$93.44
Auto Trans	R	#1.6	NG20-28-011	
	L	#1.6	NG20-28-011	
w/o Retractable Hardtop	R	#1.6	N133-28-011	\$93.44
	L	#1.6	N133-28-011	\$93.44
21 Seat, Spring	R	#1.6	NE51-28-012C	\$9.81
	L	#1.6	NE51-28-012C	\$9.81
22 Bumper, Rebound	R	#1.6	F152-28-1A1A	\$20.68
	L	#1.6	F152-28-1A1A	\$20.68

2008 Mazda MX-5 Miata Touring Convertible

23 Collar, Strut	R	#1.6	F151-28-771	\$6.50
	L	#1.6	F151-28-771	\$6.50
24 Cap, Bumper	R	#1.6	F151-28-777	\$6.50
	L	#1.6	F151-28-777	\$6.50
25 Bushing, Lower (g)	R	#1.6	F151-28-776A	\$5.57
	L	#1.6	F151-28-776A	\$5.57
(g) Order by Application				
26 Insulator, Strut	06-0 R	#1.6	NE51-28-340B	\$101.03
	L	#1.6	NE51-28-34XB	\$101.20
	09-1 R	#1.6	NE51-28-340C	\$101.03
	L	#1.6	NE51-28-34XC	\$101.03
27 Bushing, Upper w/LSD	09-1 R	#1.6	NH46-28-775	\$6.79
	L	#1.6	NH46-28-775	\$6.79
w/o LSD	R	#1.6	F151-28-775B	\$4.95
	L	#1.6	F151-28-775B	\$4.95
28 Spacer, Upper	R	#1.6	F151-28-773	\$4.57
	L	#1.6	F151-28-773	\$4.57
29 Washer	R		F151-28-774	\$3.24
	L		F151-28-774	\$3.24
30 Nut, Lock	R	#1.6	9YB0-41-012	\$4.86
	L	#1.6	9YB0-41-012	\$4.86
#R&R One Side Complete, w/Knuckle Removed Deduct .7, R&R Both Sides 3.0				
31 Link Assy, Toe Control	06-0 R	#1.1	NE51-28-45XA	\$75.25
	L	#1.1	NE51-28-45XA	\$75.25
	09-1 R	#1.1	NE51-28-45XB	\$75.25
	L	#1.1	NE51-28-45XB	\$75.25
#w/Knuckle Removed Deduct .6				
32 Boot, Dust (c)	R		F151-28-4A3	\$7.85
	L		F151-28-4A3	\$7.85
(c) Included w/Toe Control Link Assy				
33 Bolt, Toe Adjust	R		FE01-28-66Z	\$7.40
	L		FE01-28-66Z	\$7.40
34 Plate, Cam Front	R		FD16-28-473A	\$4.70
	L		FD16-28-473A	\$4.70
35 Link, Trailing	R	#.7	NE51-28-200A	\$38.18
	L	#.7	NE51-28-200A	\$38.18
#w/Knuckle Removed Deduct .3				
36 Bolt, Trailing Link (2/Side)	R		9YA0-21-223A	\$9.97
	L		9YA0-21-223A	\$9.97

2008 Mazda MX-5 Miata Touring Convertible

37 Link Assy, Trailing	06-0 R	#.8	NE51-28-D00B	\$84.76
	L	#.8	NE51-28-D10B	\$84.76
	09-1 R	#.8	NE51-28-500B	\$105.85
	L	#.8	NE51-28-550B	\$105.85

#w/Knuckle Removed Deduct .3

38 Boot, Dust (d)	R		F151-28-4B3	\$8.05
	L		F151-28-4B3	\$8.05

(d) Included w/Trailing Link Assy

39 Bolt, Trailing Link	R		9YA0-21-223A	\$9.97
	L		9YA0-21-223A	\$9.97

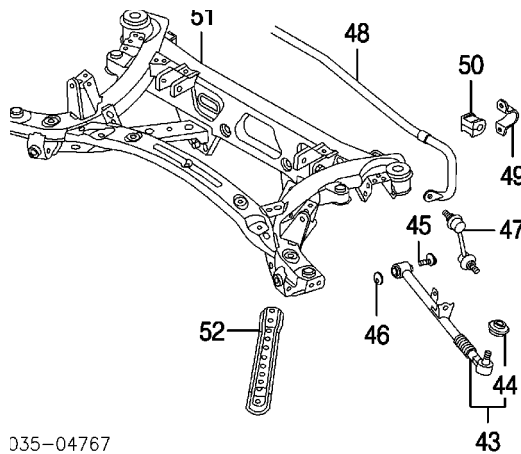
40 Link Assy, Rear Lateral	R	#.8	NE51-28-600B	\$91.76
	L	#.8	NE51-28-650B	\$91.76

#w/Knuckle Removed Deduct .3

41 Boot, Dust (e)	R		F151-28-503	\$8.05
	L		F151-28-503	\$8.05

(e) Included w/Rear Lateral Link Assy

42 Bolt, Lateral Link	R		9YA0-21-223A	\$9.97
	L		9YA0-21-223A	\$9.97



035-04767

43 Link Assy, Front Lateral	R	#1.1	NE51-28-600B	\$91.76
	L	#1.1	NE51-28-650B	\$91.76

#w/Knuckle Removed Deduct .5

44 Boot, Dust (f)	R		F151-28-503	\$8.05
	L		F151-28-503	\$8.05

(f) Included w/Front Lateral Link Assy

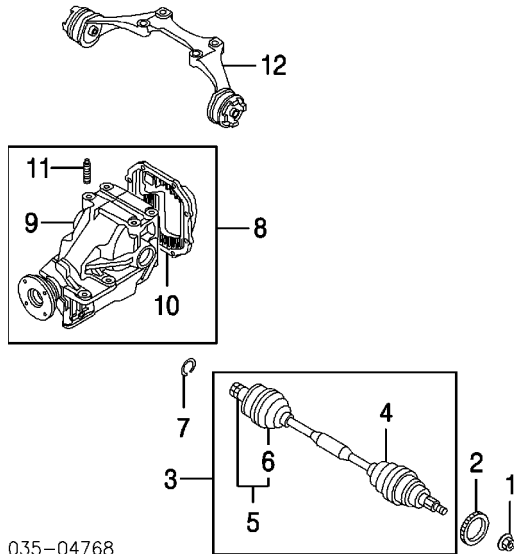
45 Bolt, Adjuster	R		F151-28-66Z	\$8.70
-------------------	---	--	-------------	--------

2008 Mazda MX-5 Miata Touring Convertible

	L		F151-28-66Z	\$8.70
46 Plate, Cam				
Rear	R		F151-28-473	\$3.70
	L		F151-28-473	\$3.70
47 Link, Stabilizer	R	#.4	F151-28-170	\$33.37
	L	#.4	F151-28-170	\$33.37
#Not Included in O/H				
48 Bar, Stabilizer				
Std Susp		#1.5	NE51-28-151A	\$63.13
Sport Susp		#1.5	NF53-28-151C	\$65.72
49 Brkt, Stabilizer	R	#1.5	FB01-28-155	\$3.06
	L	#1.5	FB01-28-155	\$3.06
50 Bushing, Stabilizer				
Std Susp	R	#1.5	N023-28-156	\$5.33
	L	#1.5	N023-28-156	\$5.33
Sport Susp	R	#1.5	NF53-28-156B	\$8.26
	L	#1.5	NF53-28-156B	\$8.26
#R&R Complete, Includes R&R Stabilizer Links, Not Included in O/H				
51 Crossmember, Susp		#5.8	NE51-28-800B	\$1,063.26
52 Bar, Cross	R	#	NE51-28-E90	\$46.88
	L	#	NE51-28-E90	\$46.88
#Not Included in O/H				

2008 Mazda MX-5 Miata Touring Convertible

REAR DRIVE AXLE



035-04768

R&I Drive Axle Assy

R #.3
L #.3

#w/Necessary Suspension Components Removed

1 Nut, Axle	R	GJ21-33-042B	\$7.74
	L	GJ21-33-042B	\$7.74

2 Rotor, Rear Sensor-See ABS/Brakes Section

3 Axle Assy, Rear			
2006-08			
w/ABS	R #.3	MA04-25-50XB	\$598.55
	L #.3	MA04-25-60XB	\$612.66
w/o ABS	R #.3	MA04-25-500B	\$600.59
	L #.3	MA04-25-600A	\$588.97
2009-10	R #.3	MA04-25-50XB	\$598.55
	L #.3	MA04-25-60XB	\$612.66

#w/Necessary Suspension Components Removed

4 Boot Kit, Outer¶	R #.4	MA04-22-530	\$81.15
	L #.4	MA04-22-530	\$81.15
5 Joint Assy, Inner¶	R #.4	MA04-22-520	\$313.67
	L #.4	MA04-22-520	\$313.67

#w/Drive Axle Assy Removed

6 Boot Kit, Inner (a)¶	R	MA04-22-540	\$87.80
	L	MA04-22-540	\$87.80

2008 Mazda MX-5 Miata Touring Convertible

¶Included w/Rear Axle Assy

(a) Included w/Inner Joint Assy

7	Circlip, Inner	R	G054-25-421	\$1.89
		L	G054-25-421	\$1.89
8	Differential Assy			
	w/LSD	#4.2	MS06-27-100E	\$2,333.54
	w/o LSD			
	Man Trans			
	5 Speed	#4.2	MA29-27-100E	\$1,429.38
	6 Speed	#4.2	MA33-27-100E	\$1,473.91
	Auto Trans	#4.2	MA30-27-100E	\$1,412.48

#Includes R&I Drive Axle Assy

9	Case, Differential (b)		MA29-27-150B	\$202.64
10	Cover, Differential (b)		MA29-27-320	\$102.37
11	Stud, Mounting (b)			
	Upper, (4)		9YA9-01-208	\$6.54
	Lower, (2)		9YA9-0A-401	\$10.48

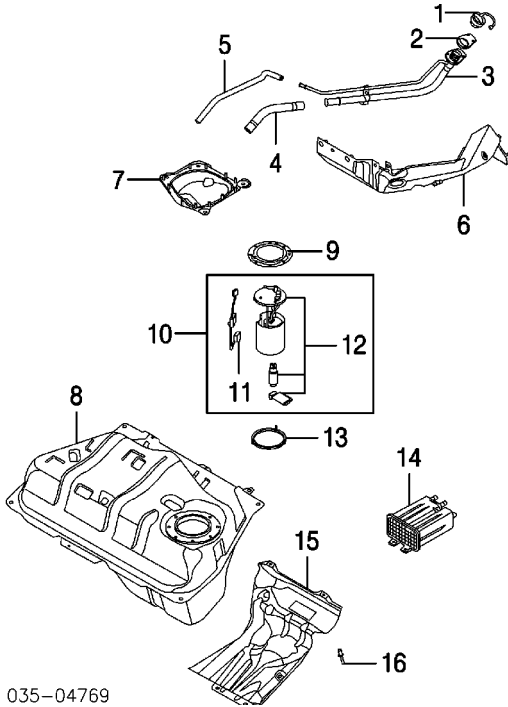
(b) Included w/Differential Assy

12	Brkt, Differential Mtg			
	Man Trans	#1.7	NE55-39-730B	\$273.92
	Auto Trans	#1.7	NE61-39-730	\$287.32

#Included in R&R Differential Assy

2008 Mazda MX-5 Miata Touring Convertible

FUEL TANK



035-04769

R&I Fuel Tank

#5.3

#Includes R&I Suspension/Differential Assy

NOTE: R&I/R&R Does Not include drain and refill.

1	Cap, Fuel Filler		FE02-42-250B	\$15.25
2	Brkt, Filler Pipe		NE51-42-27XB	\$15.47
3	Pipe, Fuel Filler		NF79-42-210E	\$90.50
4	Hose, Fuel Filler		NE51-42-231B	\$56.36
5	Hose, Breather		NE51-42-232B	\$19.60
6	Protector, Filler Hose		NE51-42-290A	\$58.82
7	Cover, Dust		NE51-42-240A	\$67.77
8	Tank, Fuel	#5.5	NE51-42-110J	\$526.24

#Includes R&I Suspension/Differential Assy

9	Plate, Fuel Pump		GN3A-42-161A	\$16.06
10	Pump Assy, Fuel	#1.0	LFG1-13-35XA	\$213.82
11	Sender, Fuel¶	#1.0	NE51-60-960	\$24.24
12	Pump, Fuel¶	#1.0	LFG1-13-35ZA	\$292.21

¶Included w/Fuel Pump Assy

#Included in R&R Fuel Tank

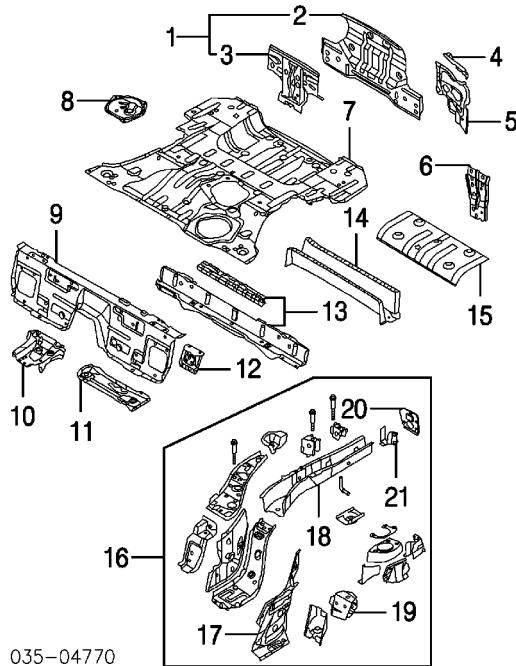
2008 Mazda MX-5 Miata Touring Convertible

13 Gskt, Fuel Pump	GN3A-42-166	\$59.52
14 Canister, Vapor-See Emission System Section		
15 Shield, Fuel Tank	NE51-42-740C	\$66.72
16 Rivet, Shield (4)	B25D-56-398	\$1.04

REAR BODY

Procedures 26 and 28

SHEET METAL/EXTERIOR TRIM



035-04770

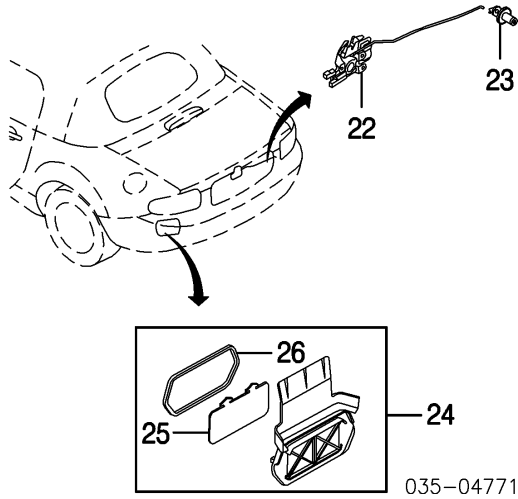
Refinish Rear Panel Assy		2.0		
Add for Edge & Inside		1.0		
Refinish Rear Body Upper Panel		1.2		
Refinish Corner Plate	R	.5		
	L	.5		
Refinish Floor Pan		1.2		
Add for Underside		.5		
Refinish Sidemember Assy	R	1.0		
	L	1.0		
1 Panel Assy, Rear		#8.7	NF79-70-750A	\$235.81
#Deduct 1.5 for Each Quarter Panel Removed				
2 Panel, Rear End¶		4.5	NF79-70-75X	\$142.39
3 Member, Rear End¶		1.5	NF79-70-760A	\$63.82
¶Included w/Rear Panel Assy				
4 Gusset, Corner	R	.5	NF79-70-4A5	\$33.55
	L	.5	NF79-71-4A5	\$33.55
5 Plate, Corner	R	1.5	NF79-70-480	\$53.61

2008 Mazda MX-5 Miata Touring Convertible

	L	1.5	NF79-71-481	\$53.61
6 Brace, Outer	R	1.0	NE51-56-551C	\$6.08
	L	1.0	NE51-56-556A	\$6.08
7 Pan, Compt Floor		#13.0	NE51-53-750B	\$415.78
#w/Rear Panel Assy Removed				
8 Cover, Service Hole			NE51-56-070	\$21.67
9 Pan, Rear Floor			NE51-53-721A	\$187.32
10 Reinf, Tunnel			NE51-54-610A	\$51.98
11 Bracket, Seat	R		NE51-53-620C	\$46.55
	L		NE51-54-620D	\$55.85
12 Reinf, Anchor	R		NE51-53-72X	\$18.37
	L		NE51-53-72X	\$18.37
13 Crossmember, Front		2.0	NE51-53-900C	\$196.25
14 Crossmember, Rear		2.0	NE51-53-920B	\$99.73
15 Shield, Heat		#.3	NE51-56-451B	\$35.50
#w/Exhaust Removed				
16 Sidemember Assy	R	#9.5	NE51-53-810D	\$1,219.18
	L	#9.5	NE51-54-810D	\$1,182.84
#Deduct 3.0 w/Floor Pan Removed				
17 Panel, Closing (b)	R	1.0	NE51-53-81XA	\$95.44
	L	1.0	NE51-54-81XA	\$95.44
18 Rail, Rear Frame (b)	R	3.0	NE51-53-815	\$98.33
	L	3.0	NE51-54-815	\$98.33
19 Bracket, Stop (b)	R	1.0	NE51-53-8E0	\$42.40
	L	1.0	NE51-54-8E0	\$42.40
20 Reinf, Rear Rail (b)	R	.5	NE51-53-816	\$11.50
	L	.5	NE51-54-816	\$11.50
21 Brkt, Rear Bumper (b)	R		NE51-53-89X	\$24.63
	L		NE51-54-89X	\$24.63

(b) Included w/Sidemember Assy

2008 Mazda MX-5 Miata Touring Convertible

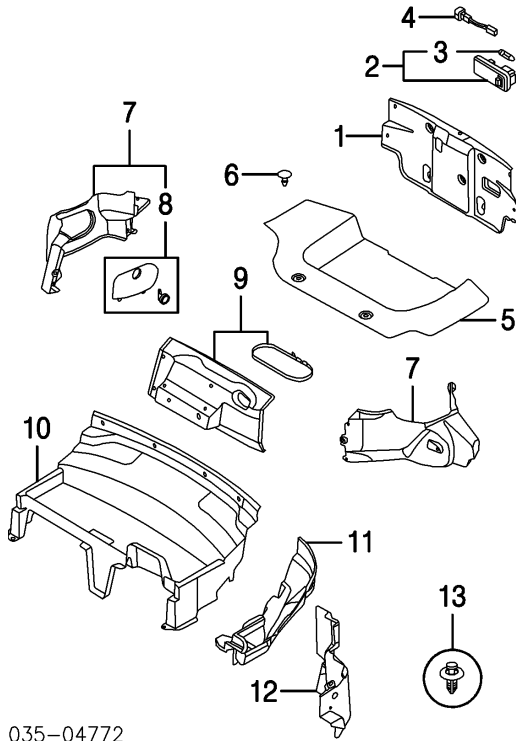


22 Latch, Luggage Lid				
w/Retractable Hardtop	07-1	.4	NE52-56-820A	\$112.28
w/o Retractable Hardtop		.4	NF79-56-820A	\$112.28
23 Cylinder, Luggage Lid Lock (a)				
w/Keyless Entry		.3	NEY5-76-230	\$83.36
w/o Keyless Entry		.3	NEZ1-76-230	\$90.89
(a) Included w/Vehicle Lock Set-listed in Steering Wheel/Column Section				
24 Chamber Assy, Extractor	R	#.2	NE51-51-920B	\$26.07
	L	#.2	NE51-51-920B	\$26.07
#w/Bumper Cover Removed				
25 Valve, Chamber (c)	R		N.A.	
	L		N.A.	
26 Gasket, Chamber (c)	R		N.A.	
	L		N.A.	

(c) Included w/Extractor Chamber Assy

INTERIOR TRIM

2008 Mazda MX-5 Miata Touring Convertible



035-04772

1 Panel, Rear End Trim		.2	NF79-68-89XC	\$63.47
2 Lamp Assy, Cargo	#.2		GV14-51-440A	\$38.59
3 Bulb, Lamp¶	#.2		9970-05-080L	\$2.81
¶Included w/Cargo Lamp Assy				
#R&R Complete				
4 Harness, Wiring			NE51-67-SH1	\$8.76
5 Mat, Luggage Compt			NE51-68-81XD	\$116.55
6 Clip, Mat (2)			S083-68-865A-00	\$0.98
7 Panel Assy, Side Trim	R #.5		NF79-68-850C-02	\$93.70
	L #.5		NF79-68-870C	\$74.04
#Includes R&R Rear End Trim Panel				
8 Lid, Trim Panel (a)	R		NF79-68-8W0-02	\$13.62
(a) Included w/Side Trim Panel Assy				
9 Trim, Front Compt			NF79-68-82XB	\$70.61
Trim, Package Tray				
10 Center				
w/Retractable Hardtop	07-0	.3	NE52-68-3V0C-02	\$196.84
	09-1	.3	NE52-68-3V0E-02	\$184.57
w/o Retractable Hardtop		.3	NE51-68-3V0E	\$201.04
11 Side				

2008 Mazda MX-5 Miata Touring Convertible

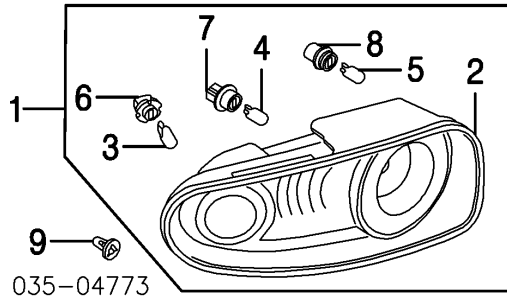
	2006	R	.2	NE51-68-320C-02	\$73.76
		L	.2	NE51-68-330C-02	\$73.85
	2007				
w/Retractable Hardtop		R	.2	NE52-68-320F-02	\$123.27
		L	.2	NE52-68-330F-02	\$128.30
w/o Retractable Hardtop		R	.2	NE51-68-320C-02	\$73.76
		L	.2	NE51-68-330C-02	\$73.85
2008-10					
w/Retractable Hardtop		R	.2	NE52-68-320F-02	\$123.27
		L	.2	NE52-68-330F-02	\$128.30
w/o Retractable Hardtop		R	.2	NE51-68-320C-02	\$73.76
		L	.2	NE51-68-330C-02	\$73.85
12 Panel, Side Trim					
	2006	R		NE51-68-58YD-02	\$35.55
		L		NE51-68-59YD-02	\$35.55
	2007				
w/Retractable Hardtop					
To 9-1-06		R		NE52-68-58YF-02	\$213.88
		L		NE52-68-59YF-02	\$213.88
From 9-1-06		R		NE52-68-58YF-02	\$213.88
		L		NE52-68-59YF-02	\$213.88
w/o Retractable Hardtop		R		NE51-68-58YD-02	\$35.55
		L		NE51-68-59YD-02	\$35.55
2008-10					
w/Retractable Hardtop		R		NE52-68-58YF-02	\$213.88
		L		NE52-68-59YF-02	\$213.88
w/o Retractable Hardtop		R		NE51-68-58YD-02	\$35.55
		L		NE51-68-59YD-02	\$35.55
13 Clip, Trim Panel (b)				GJ21-68-885B-02	\$0.99
(b) As Required					

2008 Mazda MX-5 Miata Touring Convertible

REAR LAMPS

COMBINATION LAMP

2006-08



R&I Combination Lamp Assy

R #.8

L #.8

#Includes R&R Side Trim Panel

1 Lamp Assy, Combination	R	#.8	NF79-51-150D	\$200.07
	L	#.8	NF79-51-160D	\$223.36
2 Lens/Body¶	R	#.8	NF79-51-170C	\$175.15
	L	#.8	NF79-51-180C	\$175.15

#Includes R&R Side Trim Panel

3 Bulb, Stop/Tail¶	R	#.2	9970-06-210Y	\$4.88
	L	#.2	9970-06-210Y	\$4.88
4 Bulb, Signal¶	R	#.2	9970-08-215	\$3.33
	L	#.2	9970-08-215	\$3.33
5 Bulb, Back-Up¶	R	#.2	0000-11-0921	\$2.49
	L	#.2	0000-11-0921	\$2.49

#R&R One Side Complete, Included in R&I/R&R Combination Lamp Assy

6 Socket, Stop/Tail Bulb¶	R		NF79-51-3G7	\$8.54
	L		NF79-51-3G7	\$8.54
7 Socket, Signal Bulb¶	R		GJ6A-51-074	\$23.40
	L		GJ6A-51-074	\$23.40
8 Socket, Back-Up Bulb¶	R		G19S-51-3G7	\$19.72
	L		G19S-51-3G7	\$19.72

¶Included w/Combination Lamp Assy

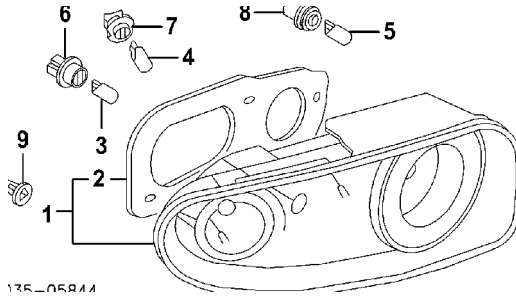
9 Grommet, Screw	R		GA7B-51-146	\$1.66
	L		GA7B-51-146	\$1.66

Harness, Lamp-See Rocker/Pillars/Floor Section

COMBINATION LAMP

2008 Mazda MX-5 Miata Touring Convertible

2009-10



R&L Combination Lamp Assy

R #.8
L #.8

#Includes R&R Side Trim Panel

1 Lamp Assy, Combination	R	#.8	NH18-51-170F	\$463.04
	L	#.8	NH18-51-180F	\$463.04

#Includes R&R Side Trim Panel

2 Gasket, Lamp¶	R		NH42-51-153A	\$8.67
	L		NH42-51-163A	\$8.67

¶Included w/Combination Lamp Assy

3 Bulb, Stop/Tail	R	#.2	9970-06-210Y	\$4.88
	L	#.2	9970-06-210Y	\$4.88
4 Bulb, Signal	R	#.2	9970-08-215	\$3.33
	L	#.2	9970-08-215	\$3.33
5 Bulb, Back-Up	R	#.2	0000-11-0921	\$2.49
	L	#.2	0000-11-0921	\$2.49

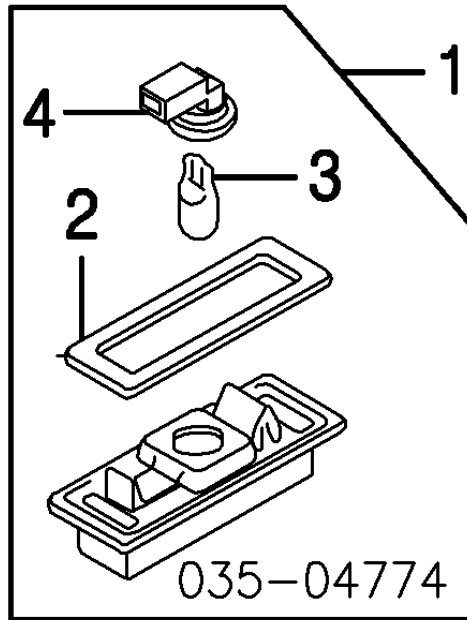
#R&R One Side Complete, Included in R&L/R&R Combination Lamp Assy

6 Socket, Stop/Tail Bulb	R		GJ6A-51-074	\$23.40
	L		GJ6A-51-074	\$23.40
7 Socket, Signal Bulb	R		G19S-51-3G7	\$19.72
	L		G19S-51-3G7	\$19.72
8 Socket, Back-Up Bulb	R		NF79-51-3G7	\$8.54
	L		NF79-51-3G7	\$8.54
9 Grommet, Screw	R		GA7B-51-146	\$1.66
	L		GA7B-51-146	\$1.66

Harness, Lamp-See Rocker/Pillars/Floor Section

LICENSE LAMP

2008 Mazda MX-5 Miata Touring Convertible



R&I License Lamp Assy

R #.2
L #.2

#Included in R&R Luggage Lid

1 Lamp Assy, License	R	#.2	NE55-51-270D	\$29.31
	L	#.2	NE55-51-270D	\$29.31

#Included in R&R Luggage Lid

2 Gasket, Lamp Body¶	R		NE55-51-273	\$4.84
	L		NE55-51-273	\$4.84
3 Bulb, License Lamp¶	R	#.2	0000-11-0194	\$0.84
	L	#.2	0000-11-0194	\$0.84

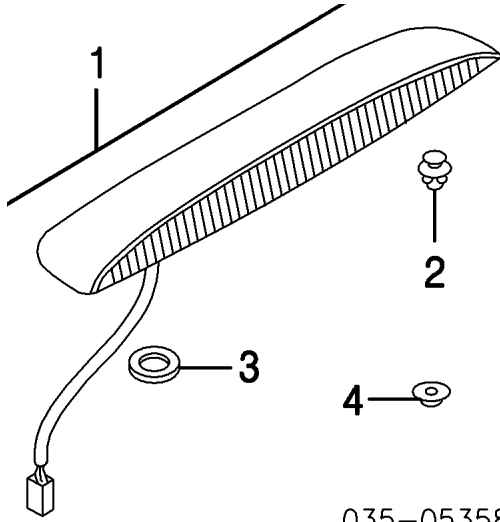
#Included in R&I/R&R License Lamp Assy

4 Socket, License Bulb¶	R		GJ6A-51-584	\$29.27
	L		GJ6A-51-584	\$29.27

¶Included w/License Lamp Assy

HIGH MOUNT STOP LAMP

2008 Mazda MX-5 Miata Touring Convertible



Refinish High Mount Stop Lamp Assy

.5

R&I Lamp Assy

.3

1 Lamp Assy, Stop

2006

Type 1

To 6-14-05

Brilliant Black, (Code A3F)

.3 NF79-51-580E-PZ \$345.32

Copper Red, (Code 32V)

.3 NF79-51-580E-74 \$335.37

Galaxy Gray, (Code 32S)

.3 NF79-51-580D-91 \$345.32

Highland Green, (Code 35K)

.3 NF79-51-580D-77 \$329.49

Marble White, (Code A5M)

.3 NF79-51-580E-71 \$345.32

Nordic Green, (Code 27C)

.3 NF79-51-580D-97 \$332.76

Stormy Blue, (Code 35J)

.3 NF79-51-580E-12 \$323.17

Sunlight Silver, (Code 22V)

.3 NF79-51-580D-67 \$345.32

True Red, (Code A4A)

.3 NF79-51-580E-11 \$345.32

Winning Blue, (Code 27B)

.3 NF79-51-580D-94 \$332.76

From 6-14-05

Brilliant Black, (Code A3F)

.3 NF79-51-580E-PZ \$345.32

2008 Mazda MX-5 Miata Touring Convertible

Copper Red, (Code 32V)	.3	NF79-51-580E-74	\$335.37
Galaxy Gray, (Code 32S)	.3	NF79-51-580D-91	\$345.32
Highland Green, (Code 35K)	.3	NF79-51-580D-77	\$329.49
Marble White, (Code A5M)	.3	NF79-51-580E-71	\$345.32
Nordic Green, (Code 27C)	.3	NF79-51-580D-97	\$332.76
Stormy Blue, (Code 35J)	.3	NF79-51-580E-12	\$323.17
Sunlight Silver, (Code 22V)	.3	NF79-51-580D-67	\$345.32
True Red, (Code A4A)	.3	NF79-51-580E-11	\$345.32
Winning Blue, (Code 27B)	.3	NF79-51-580D-94	\$332.76
Type 2			
Brilliant Black, (Code A3F)	.3	NE59-51-580D-PZ	\$345.77
Galaxy Gray, (Code 32S)	.3	NE59-51-580D-91	\$345.77
Highland Green, (Code 35K)	.3	NE59-51-580D-77	
Marble White, (Code A5M)	.3	NE59-51-580D-71	\$345.77
Stormy Blue, (Code 35J)	.3	NE59-51-580D-12	
Velocity Red, (Code 27A)	.3	NE59-51-580D-87	\$345.77
2007-08			
w/Retractable Hardtop			
Blue, (Code 33Y)	.4	NG20-51-580C-19	\$264.21
Brilliant Black, (Code A3F)	.4	NG20-51-580C-PZ	\$332.53
Copper Red, (Code 32V)	.4	NG20-51-580C-74	\$329.37
Galaxy Gray, (Code 32S)	.4	NG20-51-580C-91	\$342.50
Highland Green, (Code 35K)	.4	NG20-51-580C-77	\$345.77
Stormy Blue, (Code 35J)	.4	NG20-51-580D-12	\$335.88
Crystal Silver, (Code 22V)	.4	NG20-51-580C-67	\$345.77
True Red, (Code A4A)	.4	NG20-51-580D-11	\$395.13

2008 Mazda MX-5 Miata Touring Convertible

w/o Retractable Hardtop

Type 1

Brilliant Black, (Code A3F)	.3	NF79-51-580E-PZ	\$345.32
Copper Red, (Code 32V)	.3	NF79-51-580E-74	\$335.37
Galaxy Gray, (Code 32S)	.3	NF79-51-580D-91	\$345.32
Highland Green, (Code 35K)	.3	NF79-51-580D-77	\$329.49
Marble White, (Code A5M)	.3	NF79-51-580E-71	\$345.32
Nordic Green, (Code 27C)	.3	NF79-51-580D-97	\$332.76
Stormy Blue, (Code 35J)	.3	NF79-51-580E-12	\$323.17
Sunlight Silver, (Code 22V)	.3	NF79-51-580D-67	\$345.32
True Red, (Code A4A)	.3	NF79-51-580E-11	\$345.32
Winning Blue, (Code 27B)	.3	NF79-51-580D-94	\$332.76

Type 2

Blue, (Code 33Y)	.3	NE59-51-580D-19	\$313.88
Brilliant Black, (Code A3F)	.3	NE59-51-580D-PZ	\$345.77
Galaxy Gray, (Code 32S)	.3	NE59-51-580D-91	\$345.77
Highland Green, (Code 35K)	.3	NE59-51-580D-77	
Marble White, (Code A5M)	.3	NE59-51-580D-71	\$345.77
Stormy Blue, (Code 35J)	.3	NE59-51-580D-12	
Velocity Red, (Code 27A)	.3	NE59-51-580D-87	\$345.77

2009

w/Retractable Hardtop

To 12-22-08

Aluminum Metallic, (Code 38P)	.3	NG20-51-580D-50	\$332.76
Brilliant Black, (Code A3F)	.3	NG20-51-580C-PZ	\$332.53
Copper Red, (Code 32V)	.3	NG20-51-580C-74	\$329.37

2008 Mazda MX-5 Miata Touring Convertible

Copper Red, (Code 32V)	.3	NG20-51-580D-74	\$395.13
Metropolitan Gray, (Code 36C)	.3	NG20-51-580D-86	\$395.13
Stormy Blue, (Code 35J)	.3	NG20-51-580D-12	\$335.88
Sunflower Yellow, (Code A6Y)	.3	NG20-51-580D-63	\$395.13
True Red, (Code A4A)	.3	NG20-51-580D-11	\$395.13
w/o Retractable Hardtop			
Aluminum Metallic, (Code 38P)	.3	NF79-51-580E-50	\$345.32
Brilliant Black, (Code A3F)	.3	NF79-51-580E-PZ	\$345.32
Copper Red, (Code 32V)	.3	NF79-51-580E-74	\$335.37
Crystal White, (Code 34K)	.3	NF79-51-580E-85	
Marble White, (Code A5M)	.3	NF79-51-580E-71	\$345.32
Metropolitan Gray, (Code 36C)	.3	NF79-51-580E-86	\$345.32
Stormy Blue, (Code 35J)	.3	NF79-51-580E-12	\$323.17
Sunflower Yellow, (Code A6Y)	.3	NF79-51-580E-63	\$345.32
True Red, (Code A4A)	.3	NF79-51-580E-11	\$345.32
2 Clip, Lamp (4)¶			
w/o Retractable Hardtop		B252-51-PJ5A	\$1.85
3 Protector, Lamp¶			
w/o Retractable Hardtop		NF79-51-582	\$14.63
4 Nut, Flange (3)¶			
w/Retractable Hardtop	07-10	9994-00-503	\$1.04

¶Included w/Stop Lamp Assy

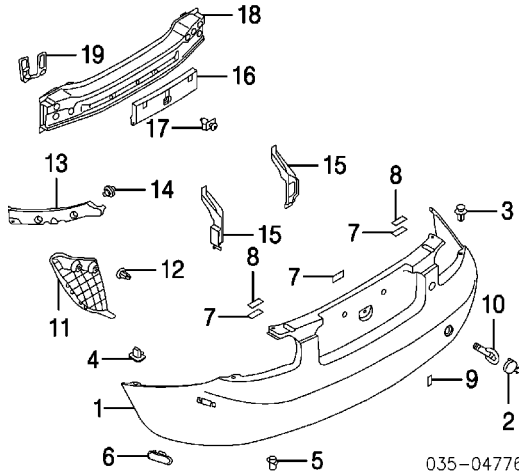
Harness, Main Wiring-See Rocker/Pillars/Floor Section

2008 Mazda MX-5 Miata Touring Convertible

REAR BUMPER

Procedures 27 and 28

2006-08



Refinish Bumper Cover		2.0
Refinish Tow Hook Cover		.3
R&I Bumper Cover		#1.7
#Includes R&I/R&R Rear Combination Lamps		
R&I Reflector	R	.2
	L	.2
O/H Bumper Cover (Includes R&I)		#2.3
#Includes R&I/R&R Rear Combination Lamps		

NOTE: All Parts in this section are included in overhaul unless noted otherwise.

1 Cover, Bumper (P)	#2.3	NFY9-50-22XA-BB	\$583.11
(P) Paint to Match			
#Includes R&I/R&R Rear Combination Lamps			
2 Cover, Tow Hook			
Blue, (Code 33Y)	.2	NF79-50-EK1A-19	\$14.89
Brilliant Black, (Code A3F)	.2	NF79-50-EK1A-PZ	\$16.13
Copper Red, (Code 32V)	.2	NF79-50-EK1A-74	\$16.13
Galaxy Gray, (Code 32S)	.2	NF79-50-EK1A-91	\$16.13
Highland Green, (Code 35K)	.2	NF79-50-EK1A-77	\$16.13
Marble White, (Code A5M)	.2	NF79-50-EK1A-71	\$16.13
Nordic Green, (Code 27C)	.2	NF79-50-EK1A-97	\$16.13

2008 Mazda MX-5 Miata Touring Convertible

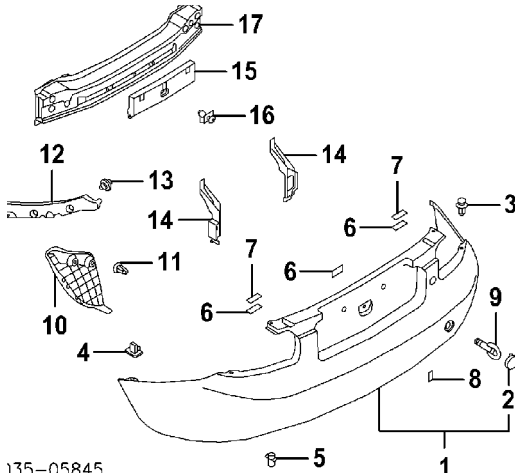
Stormy Blue, (Code 35J)		.2	NF79-50-EK1A-12	\$16.13
Sunlight Silver, (Code 22V)		.2	NF79-50-EK1A-67	\$16.13
True Red, (Code A4A)		.2	NF79-50-EK1A-BB	\$12.31
Velocity Red, (Code 27A)		.2	NF79-50-EK1A-87	\$16.09
Winning Blue, (Code 27B)		.2	NF79-50-EK1A-94	\$16.13
3 Clip, Cover	R		GD7A-50-EA1	\$1.49
	L		GD7A-50-EA1	\$1.49
4 Grommet, Outer Cover				
			2006	
To 6-26-06	R		GJ6A-50-OZ5	\$1.66
	L		GJ6A-50-OZ5	\$1.66
From 6-26-06	R		BP4K-50-OZ5	\$1.55
	L		BP4K-50-OZ5	\$1.55
2007-08	R		BP4K-50-OZ5	\$1.55
	L		BP4K-50-OZ5	\$1.55
5 Grommet, Inner	R		B216-50-919	\$2.30
	L		B216-50-919	\$2.30
6 Reflector, Side	R	.2	NF79-51-5B0B	\$24.84
	L	.2	NF79-51-5C0B	\$24.84
7 Seal, Bumper (3) Tape, Protector			NC10-50-2G2	\$1.24
8 Upper	R		G043-62-864A	\$1.70
	L		G043-62-864A	\$1.70
9 Lower	R		B455-50-G32	\$1.44
	L		B455-50-G32	\$1.44
10 Hook, Tow-See Wheel Section				
#Not Included in O/H				
11 Shield, Splash	R	.2	NF79-50-341C	\$25.71
	L	.2	NF79-50-351C	\$25.71
12 Grommet, Screw (2/Side)	R		H260-50-841	\$1.49
	L		H260-50-841	\$1.49
13 Retainer, Side	R		NF79-50-2H1B	\$14.26
	L		NF79-50-2J1B	\$14.26
14 Grommet, Retainer (2/Side)	R		NE51-50-0Z1A	\$2.41
	L		NE51-50-0Z1A	\$2.41
15 Plate, Cover Set	R		NF79-50-2A1A	\$20.63
	L		NF79-50-2B1A	\$17.29
16 Filler, Bumper			NF79-50-311A	\$169.13
17 Clip, Filler			BF82-50-233	\$3.62
18 Reinf, Bumper		#.4	NE51-50-260C	\$267.99

#w/Rear Cover Removed, Not Included in O/H

2008 Mazda MX-5 Miata Touring Convertible

19 Brkt, Rear Bumper-See Rear Body Section

2009-10



135-05845

Refinish Bumper Cover		2.0
Refinish Tow Hook Cover		.3
R&I Bumper Cover		#1.7
#Includes R&I/R&R Rear Combination Lamps		
R&I Reflector	R	.2
	L	.2
O/H Bumper Cover (Includes R&I)		#2.3
#Includes R&I/R&R Rear Combination Lamps		

NOTE: All Parts in this section are included in overhaul unless noted otherwise.

1 Cover Assy, Rear (P)		#2.3	NHY8-50-22XG-BB	\$376.89
#Includes R&I/R&R Rear Combination Lamps				
2 Cover, Tow Hook (P)¶ (P) Paint to Match		.2	NH52-50-EK1-AA	\$15.99
¶Included w/Rear Cover Assy				
3 Clip, Cover	R		GD7A-50-EA1	\$1.49
	L		GD7A-50-EA1	\$1.49
4 Grommet, Outer Cover	R		NH52-50-0U5B	\$6.82
	L		NH52-50-0U5B	\$6.82
5 Grommet, Inner	R		B216-50-919	\$2.30
	L		B216-50-919	\$2.30

2008 Mazda MX-5 Miata Touring Convertible

6 Seal, Bumper (5) Tape, Protector			NC10-50-2G2	\$1.24
7 Upper	R	.2	G043-62-864A	\$1.70
	L	.2	G043-62-864A	\$1.70
8 Lower	R	.2	B455-50-G32	\$1.44
	L	.2	B455-50-G32	\$1.44
9 Hook, Tow-See Wheel Section				
			#Not Included in O/H	
10 Shield, Splash	R	.2	NH52-50-341	\$36.45
	L	.2	NH52-50-351	\$36.45
11 Grommet, Screw (2/Side)	R		H260-50-841	\$1.49
	L		H260-50-841	\$1.49
12 Retainer, Side	R		NH52-50-2H1A	\$16.20
	L		NH52-50-2J1A	\$16.20
13 Grommet, Retainer (2/Side)	R		NE51-50-0Z1A	\$2.41
	L		NE51-50-0Z1A	\$2.41
14 Plate, Cover Set	R		NH52-50-2A1A	\$20.56
	L		NH52-50-2B1A	\$20.56
15 Filler, Bumper			NF79-50-311A	\$169.13
16 Clip, Filler			BF82-50-233	\$3.62
17 Reinf, Bumper		#.4	NE51-50-260C	\$267.99

#w/Rear Cover Removed, Not Included in O/H