

1991 Mazda MX-5 Miata

WIRING DIAGRAMS 1991 WIRING DIAGRAMS Mazda

WIRING DIAGRAMS**1991 WIRING DIAGRAMS Mazda****IDENTIFICATION****COMPONENT LOCATION MENU****COMPONENT LOCATIONS**

Component	Figure No. (Location)
A/C RELAY	3 (D-E 11)
A/C THERMO SWITCH	3 (E 8-9)
A/T CONTROL UNIT	6 (E 20)
ABS CONTROL UNIT	5 (C-E 19)
AIRBAG CONTROL UNIT	5 (A-B 16)
ALTERNATOR	1 (D 3)
BACK-UP BATTERY	5 (A 16)
BACK-UP LT SW	6 (D 23)
BLOWER MOTOR RELAY	3 (D 9)
CIG LIGHTER	3 (C 9)
CIRCUIT OPENING RELAY	2 (C 4)
CLUTCH SWITCH (M/T)	2 (E 7)
COMBINATION SW	4 (C-E 12), 5 (C-D 16)
COOLING FAN RELAY	3 (E 10)
CRUISE CONTROL MAIN SW	4 (C 15)
CRUISE CONTROL UNIT	4 (D-E 15)
DIAG CONNECTOR	2 (A-B 4)
DIR/HAZ FLASHER	4 (C-D 14-15)
ENGINE CONTROL UNIT (ECU)	2 (A 4-7)
FOG LIGHT SWITCH	4 (C 12)
FUEL TANK UNIT	6 (A 22)
FUSE BLOCK	3 (A-B 9-10)
HEADLIGHT RELAY	4 (D 14)
HEATER CONTROL UNIT	3 (E 8)
HORN RELAY	5 (C 17)
HYDRAULIC UNIT	5 (A-B 19)
IGNITER	2 (C-D 4)

1991 Mazda MX-5 Miata

WIRING DIAGRAMS 1991 WIRING DIAGRAMS Mazda

IGNITION SWITCH	3 (A 8)
INHIBITOR SWITCH (A/T)	1 (A 3)
INSTRUMENT CLUSTER	4 (A 12-15)
JOINT CONNECTOR	5 (B 17)
MAIN RELAY	2 (E 4)
O/D OFF SWITCH	6 (D 21)
PANEL LIGHT CONTROL SWITCH	4 (B 12)
POWER WINDOW MAIN SWITCH	6 (A 20-21)
RELAY & MAIN FUSE BLOCK	1 (B-C 2-3)
RETRACTOR RELAY	1 (D-E 2)
RETRACTOR/HAZARD SWITCH	4 (C 13-14)
SHIFT LOCK ACTUATOR A/T	6 (B-C 20-21)
STARTER INTERLOCK SWITCH	1 (A 3)
STARTER MOTOR	1 (A 3)
STOP LT SW	3 (C 11)
TNS RELAY	4 (E 14)
W/SHIELD WIPER MOTOR	1 (E 3)
WARNING BUZZER	3 (D 11)
WASHER MOTOR	1 (E 3)

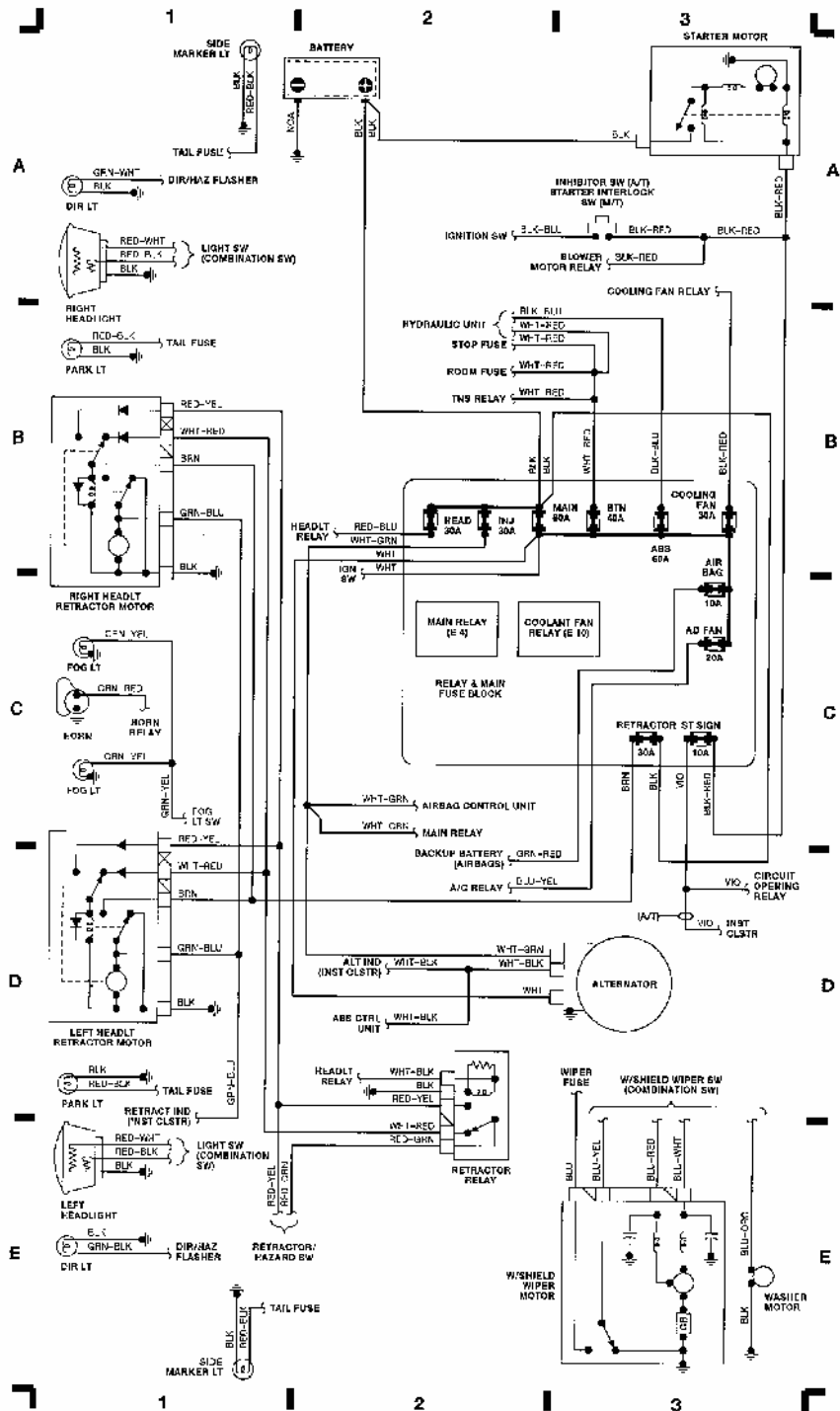
WIRING DIAGRAMS

1991 Mazda MX-5 Miata

WIRING DIAGRAMS 1991 WIRING DIAGRAMS Mazda

COMPONENT LOCATOR:

A/C RELAY	D-E11
A/C THERMOSTAT SW	F 3 4
AUT CORRECT L UNIT	F 26
ABS CONTROL UNIT	G E19
ARMING CONTROL UNIT	A-E18
ALTER MOTOR	D 3
BACKUP BATTERY	A 23
BACKUP BATTERY SW	E 9
BLK (C) GRN W/WHY	E 9
BLK (C) GRN W/WHY	E 9
CLUTCH SW (M/T)	E 7
COMBINATION SW	G-E 20-C 10
COOLANT FAN RELAY	E 13
CORNER CONTROL MAIN SW	C F 13
CORNER CONTROL UNIT	C F 13
CRUISE CONTROL	A R 4
DIR/HAZ FLASHER	C D 14 15
SWITCH CONTACT UNIT (S)	A 4-7
FOG L SW	E 11
FUEL TANK UNIT	A 22
FIRE BELL	A 3 5-10
HEADLIGHT SW	E 11
HEADLIGHT UNIT	A 10
HORN RELAY	A 10
HYDRAULIC UNIT	A 10
IGNITION SW	G 2-3
IGNITION SW (A/T)	A 6
INHIBITOR SW (A/T)	A 6
INSTRUMENT CLUSTER	A 12-15
IGNITION SW	E 4
MAIN RELAY	E 4
SWITCH CONTACT UNIT (S)	C 21
FAUSE - TO CORRECT SW	E 17
POWER WINDOW MAIN SW	A 20-21
RELAY & MAIN FUSE BLOCK	B 2-3
RETRACTOR RELAY	G 10
RETRACTOR/HAZARD SW	G 10-4
SHIFT LOCK ACTUATOR (M/T)	B 40 20-21
STARTER MOTOR	A 3
STOP LIGHT SW	E 11
WIPER SW	E 11
W/SHIELD WIPER MOTOR	E 4
WIPING SUZZER	D 14
WASHER MOTOR	E 4

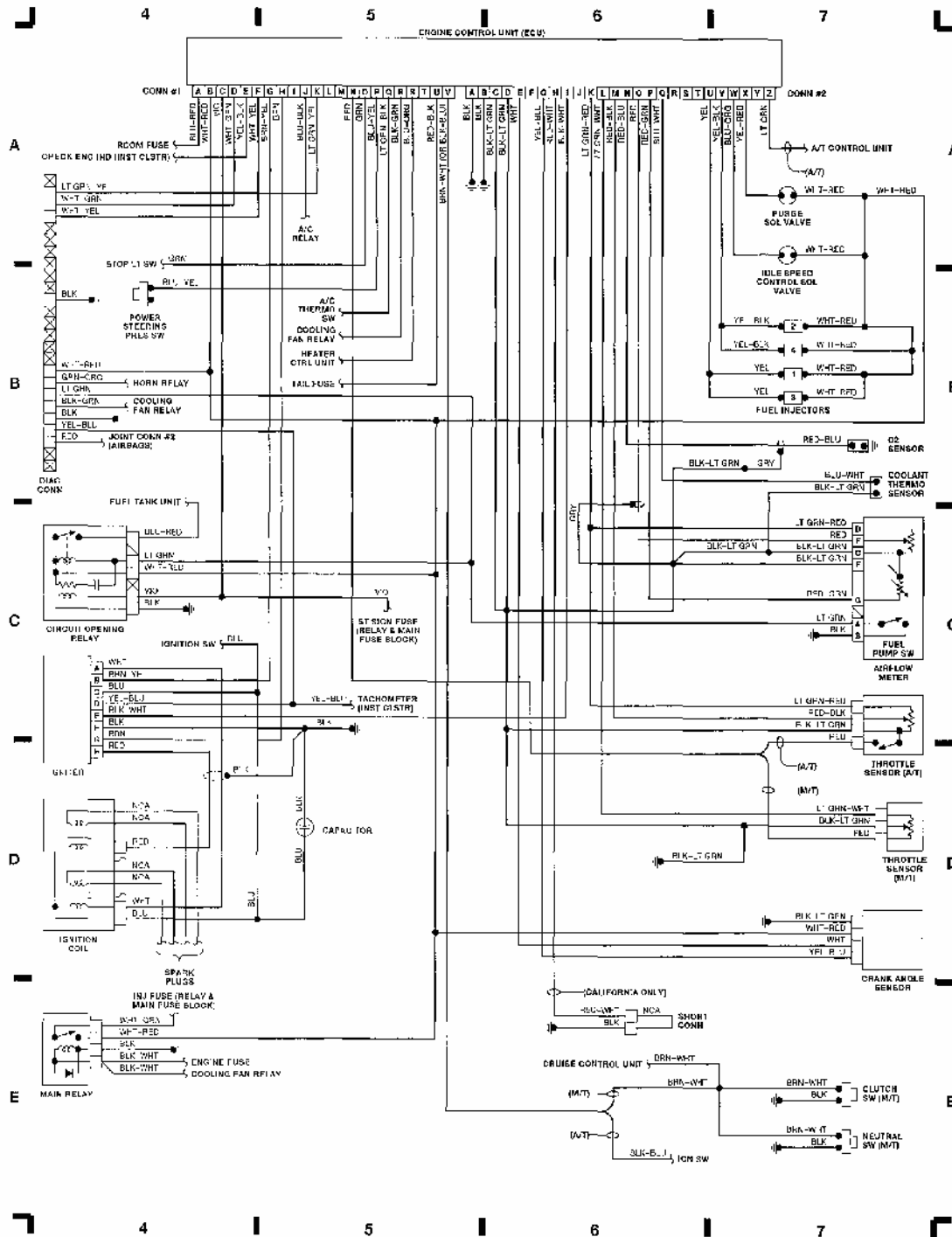


92B11768

Fig. 1: Engine Compartment, Headlights (Grid 1-3)

1991 Mazda MX-5 Miata

WIRING DIAGRAMS 1991 WIRING DIAGRAMS Mazda

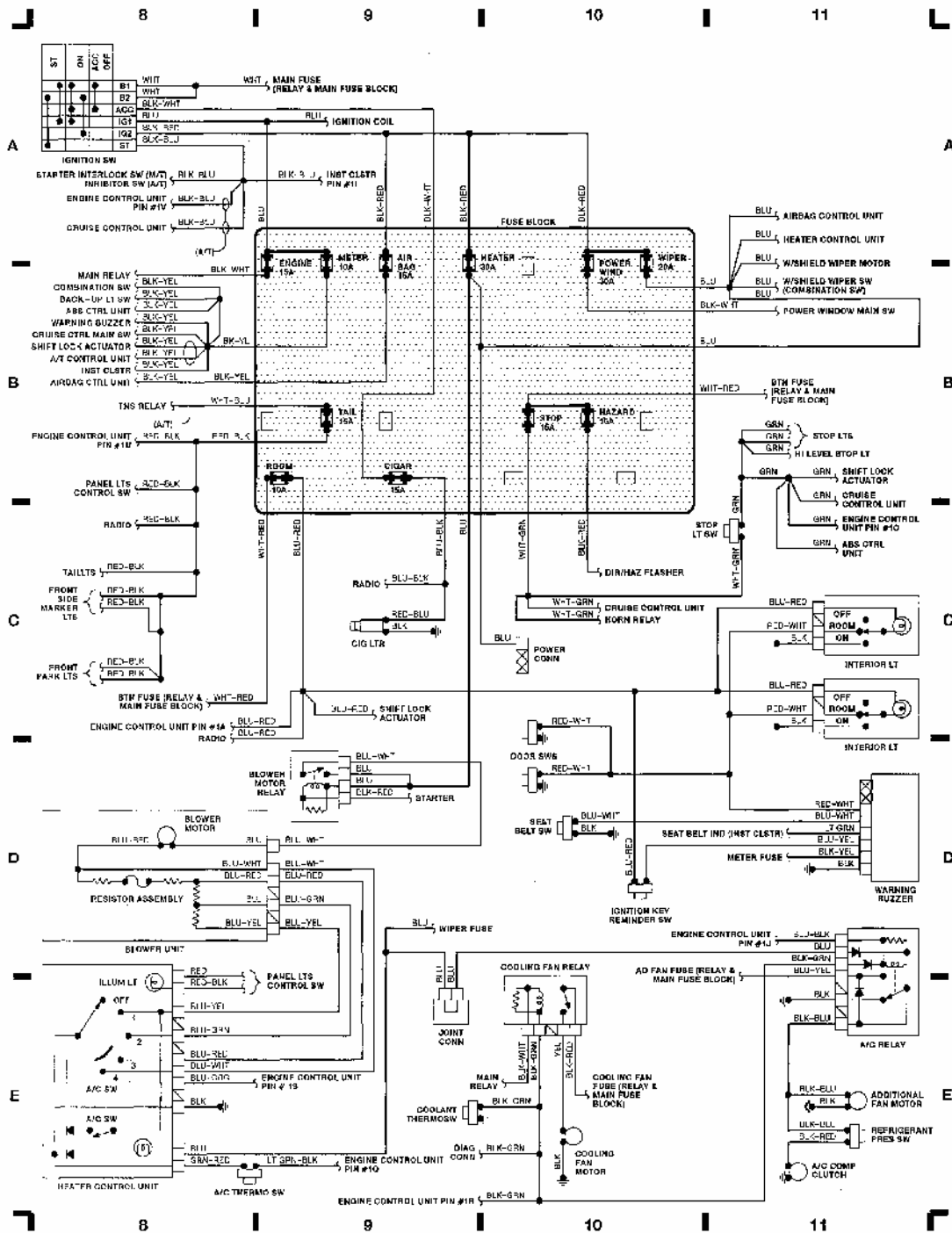


50G06750

Fig. 2: Computer Engine Control (Grid 4-7)

1991 Mazda MX-5 Miata

WIRING DIAGRAMS 1991 WIRING DIAGRAMS Mazda

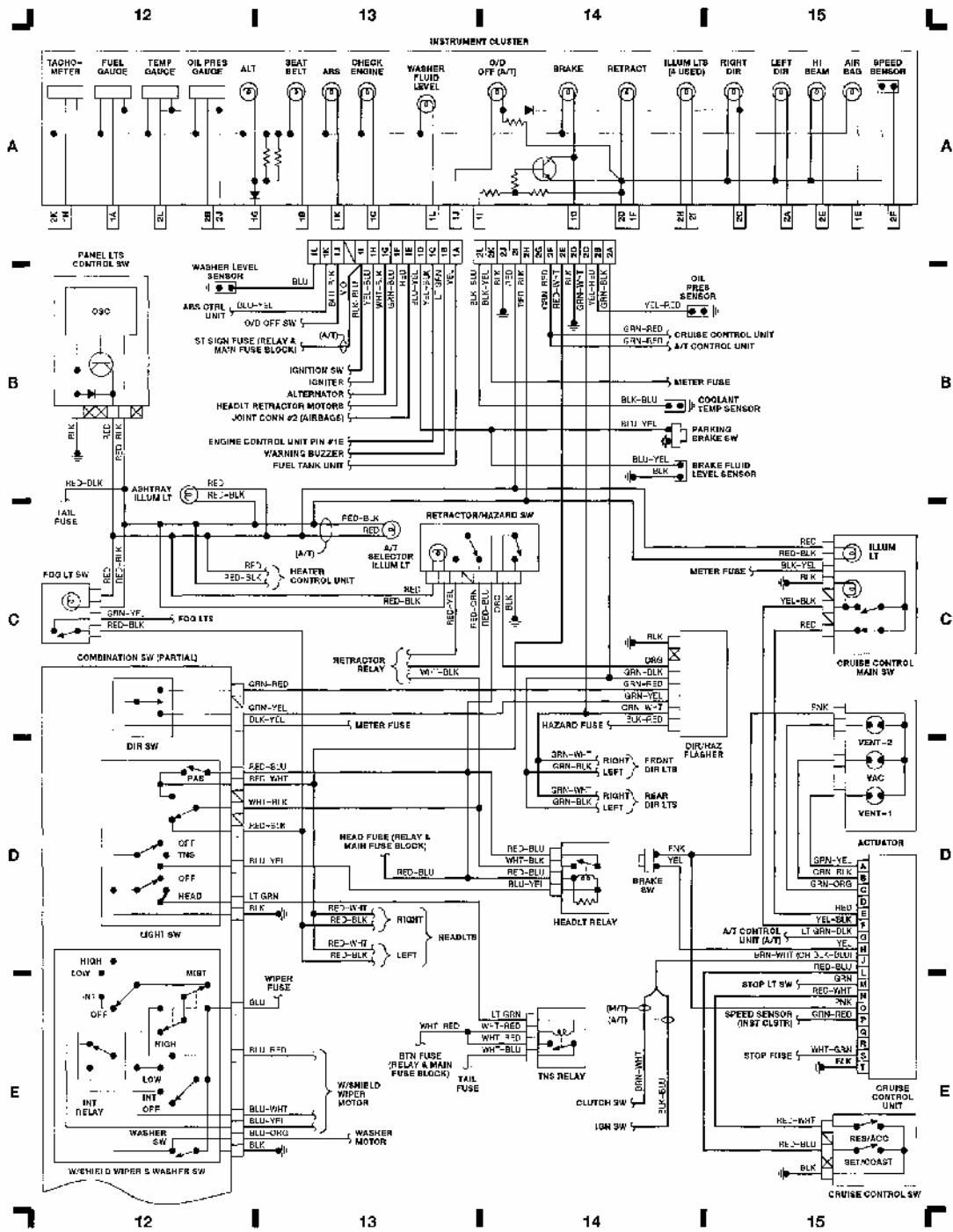


92F11770

Fig. 3: Fuse Block, Heater (Grid 8-11)

1991 Mazda MX-5 Miata

WIRING DIAGRAMS 1991 WIRING DIAGRAMS Mazda

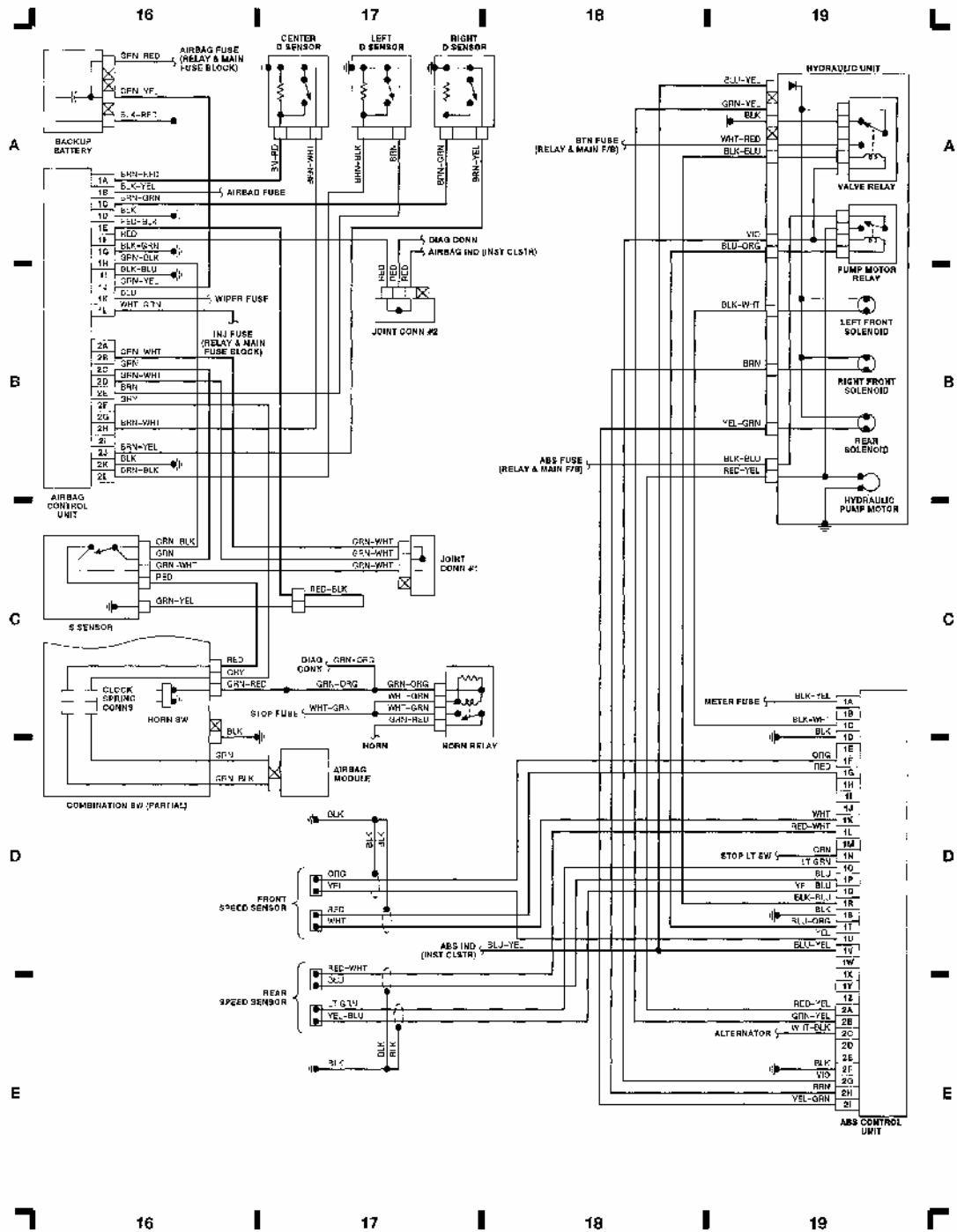


92G11/71

Fig. 4: Instrument Cluster, Comb Sw, Cruise Ctrl (Grid 12-15)

1991 Mazda MX-5 Miata

WIRING DIAGRAMS 1991 WIRING DIAGRAMS Mazda

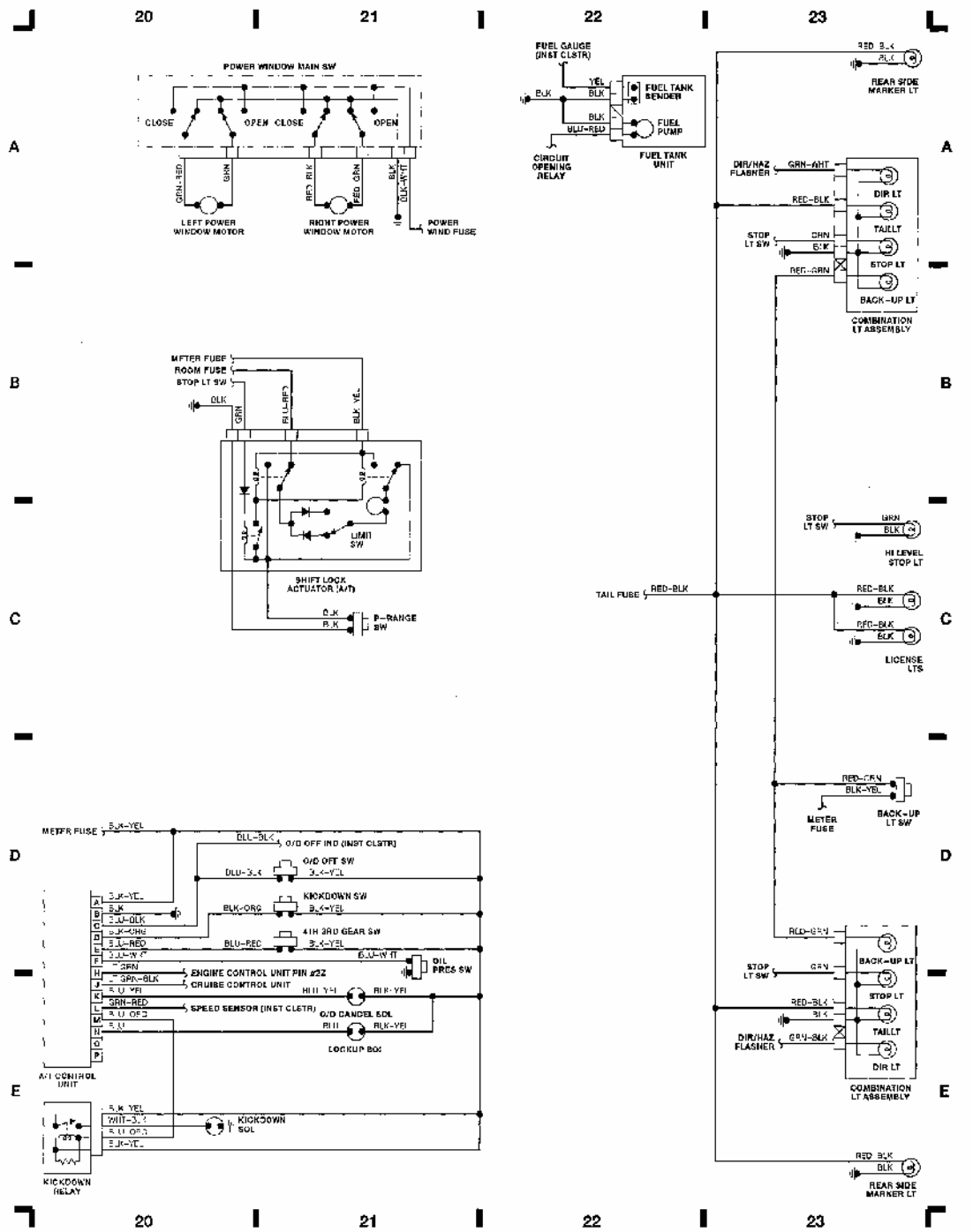


92H11772

Fig. 5: ABS, Air Bag, Hydraulic Unit (Grid 16-19)

1991 Mazda MX-5 Miata

WIRING DIAGRAMS 1991 WIRING DIAGRAMS Mazda



92111773

Fig. 6: Power Window, Taillights, A/T Ctrl Unit (Grid #-#)